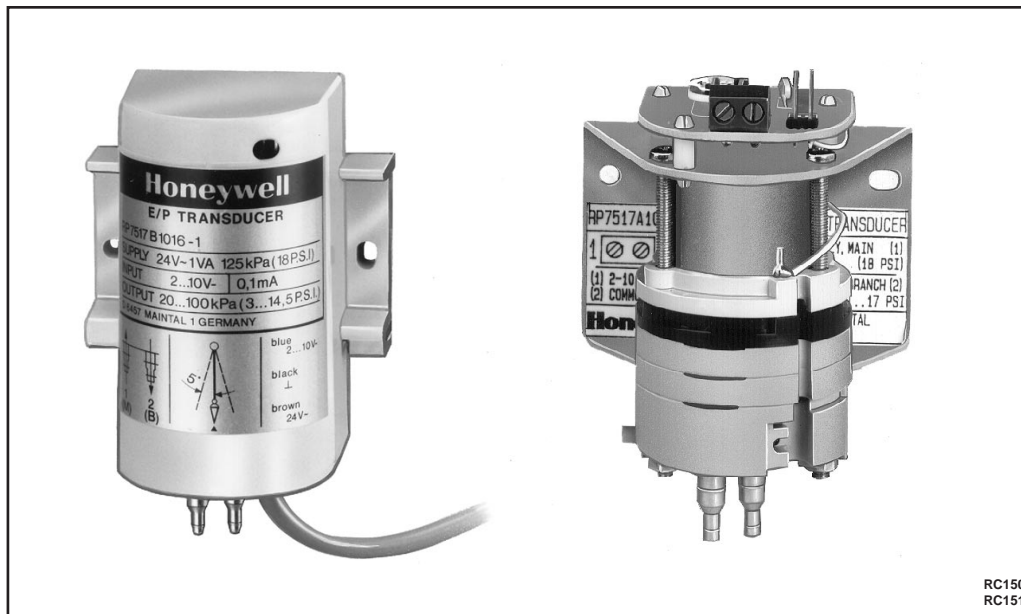


RP7517A, B Electronic-Pneumatic Transducers

SPECIFICATION DATA



RC150
RC151

GENERAL

The RP7517A, B Electronic-Pneumatic Transducers are used in electronic-pneumatic control systems to convert a proportional electric output signal from a controller into a direct-acting, proportional pneumatic signal.

The RP7517A is powered by the control signal. It is available with a cover or without a cover for panel mounting (the panel model has a higher pressure output than the cover model and is approximately equal to the RP7517B in branchline buildup).

The RP7517B (used with Excel) has an internal amplifier and requires a lower current control signal. It is available with a cover or without a cover for panel mounting.

FEATURES

- Screw mounting or snap rail (models with cover)
- Factory calibrated
- Dual barb fittings
- High accuracy



DESCRIPTION

The RP7517A, B Electronic-Pneumatic Transducers are used in electronic-pneumatic control systems to convert a proportional electric output signal from a controller into a direct-acting, proportional pneumatic signal.

The RP7517A is powered by the control signal. It is available with a cover or without a cover for panel mounting (the panel model has a higher pressure output than the cover model and is approximately equal to the RP7517B in branchline buildup). The RP7517B (used with Excel) has an internal amplifier and requires a lower current control signal.

SPECIFICATIONS

Models:

- RP7517A1009: 2-wire, with cover, without internal amplifier. Typically used with DeltaNet MicroCel™ and MicroniK 100.
- RP7517A1017: 2-wire, without cover, without internal amplifier, higher pressure buildup than the RP7517A1009. Typically used with R7044D, E.
- RP7517B1016: 3-wire, with cover, with internal amplifier. Typically used with Excel, R7044A-E, EXCEL 5000™ system applications.
- RP7517B1024: 3-wire, without cover, with internal amplifier. Typically used with Excel, R7044A-E, EXCEL 5000™ system applications.

Ambient Operating Limit:

Temperature: 41 to 131F (5 to 55C)
 Humidity: 5 to 95% rh
 Storage: -22 to 158F (-30 to 70C)

Power Supply:

RP7517A: None
 RP7517B: 24V, +10% -15%, 50/60 Hz

Power Consumption:

RP7517A1009: 16 mA at 12V dc
 RP7517A1017: 16 mA at 11.5V dc
 RP7517B1016: 1.7 VA

Input Signal:

RP7517A: 2 to 10V dc
 RP7517B: 2 to 10 dc (up to 0.1 mA)

Mounting:

Models with covers have snap (DIN) rail capability

Output Pressure:

Model	Nominal Range psi (kPa) at 2 to 10V dc	Nominal Low End psi (kPa) at 0V dc	Nominal High End psi (kPa) with 18 psi (125 kPa) Main Pressure
RP7517A1009	3 to 15 (20 to 103)	0.5 (3.5)	16.0 (110.0) at 12V dc
RP7517A1017			17.0 (117.2) at 12V dc/16.0 (110.0) at 11V dc (min)
RP7517B1016			
RP7517B1024			

NOTE: Excel 500, 100, and 80 provide a maximum of 11V dc output to the transducer.

Main Air Pressure:

18 psi (125 kPa)

Maximum Safe Air Pressure:

29 psi (200 kPa)

Air Consumption:

0.025 scfm (11/7 ml/s)

Air Capacity:

0.45 scfm (211 ml/s)

Air Connections:

Dual barb-fittings for:
 1/4-in. (6-mm) O.D.
 or
 5/32-in. (4-mm) O.D. polyethylene tubing

Electrical Connections:

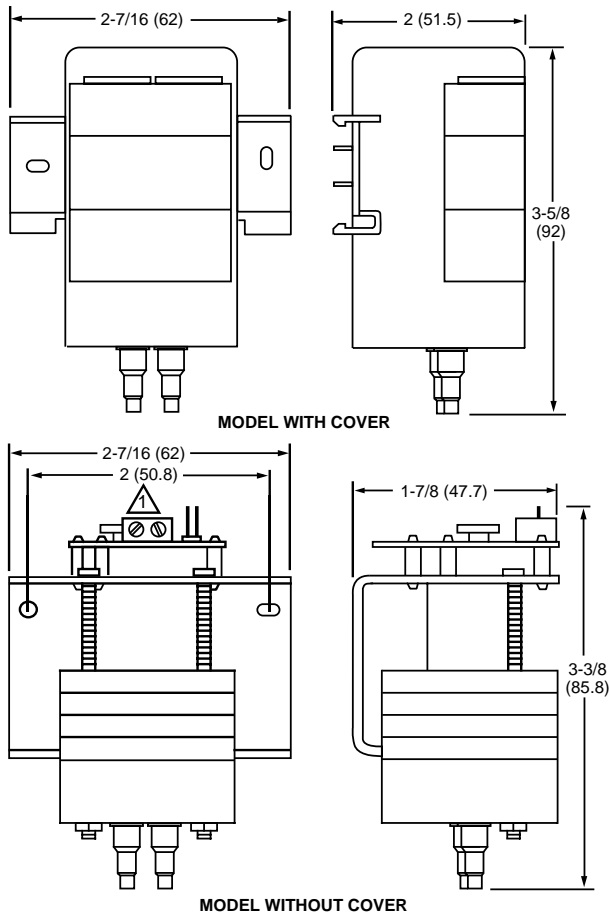
RP7517A1009: 30-in (762-mm) lead wires
 RP7517A1017: Screw terminals for 14 to 22 gage wire
 RP7517B1016: 30-in. (762-mm) lead wires
 RP7517B1024: Screw terminals for 14 to 22 gage wire

Calibration:

Factory calibrated

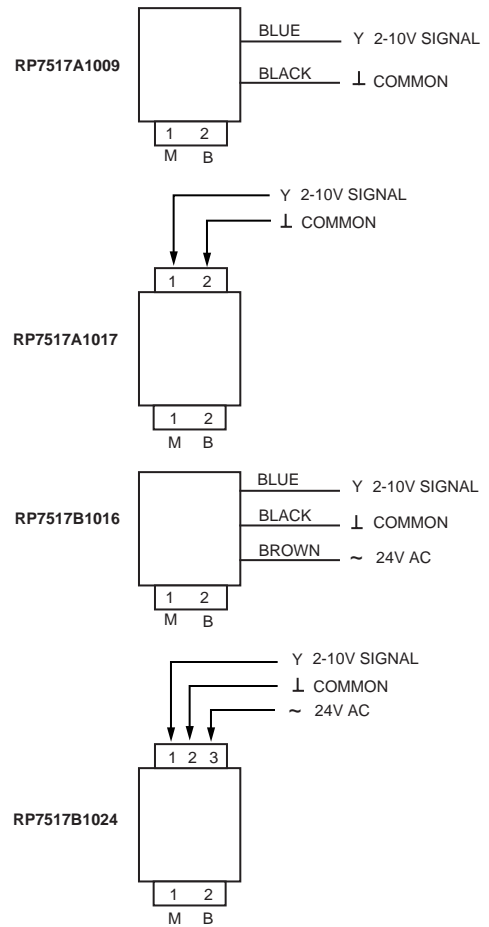
NOTE: RP7517 must be mounted vertically within 5 degrees to maintain factory calibration.

Dimensions In Inches (Millimeters):



⚠ 2 TERMINALS ON RP7517A1017
3 TERMINALS ON RP7517B1024

Wiring:



C5160-2

C5402-1

By using this Honeywell literature, you agree that Honeywell will have no liability for any damages arising out of your use or modification to, the literature. You will defend and indemnify Honeywell, its affiliates and subsidiaries, from and against any liability, cost, or damages, including attorneys' fees, arising out of, or resulting from, any modification to the literature by you.

Home and Building Control

Honeywell Inc.
Honeywell Plaza
P.O. Box 524
Minneapolis MN 55408-0524

Home and Building Control

Honeywell Limited-Honeywell Limitée
740 Ellesmere Road
Scarborough Ontario
M1P 2V9

Honeywell Asia Pacific Inc.

Room 3213-3225
Sun Hung kai Centre
No. 30 Harbour Road
Wanchai
Hong Kong

Honeywell Latin American Division

Miami Lakes Headquarters
14505 Commerce Way Suite 500
Miami Lakes FL 33016

Honeywell Europe S.A.

3 Avenue du Bourget
B-1140 Brussels Belgium

Honeywell

Helping You Control Your World

