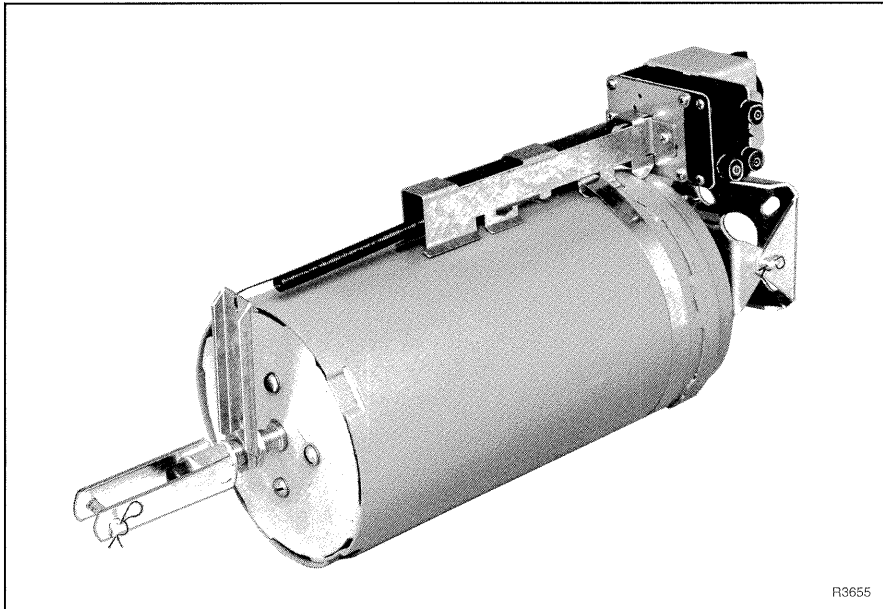


MP920B Pneumatic Actuator

SPECIFICATION DATA



FEATURES

- Rolling diaphragm operated
- Fail safe on over pressure
- Actuator can be swivel mounted from either end to pipe, floor, or wall surface
- Optional positive positioner provides accurate positioning under varying load conditions

GENERAL

MP920B Pneumatic Actuators are suitable for fan inlet vane control applications in a VAV system.

DESCRIPTION

MP920B Pneumatic Actuators are suitable for fan inlet vane control applications in a VAV system.

SPECIFICATIONS

Models:

- MP920B: Operator only
See ACCESSORIES for Positioner

Maximum Safe Air Pressure:

29 psi (200 kPa)

Stroke:

6 in. (150 mm)

Effective Area:

24.8 in.² (160 cm²)

Spring Range:

MP920B: 7-1/4 to 13 psi (50 to 90 kPa)

Positioner Input Span:

10 psi (70 kPa)

Net Force Exerted:

For fan inlet vane applications only:
With 0 psi applied: 173 lb force (770 N) available to close fan inlet vanes
With 20 psi (138 kPa) applied: 298 lb force (1326 N) available to open fully closed fan inlet vanes; 173 lb force (770 N) with shaft fully extended

Ambient Temperature Range:

-20 to 158F (-30 to 70C)

Diaphragm:

Neoprene, rolling type

Housing:

Grey enamel finish on steel body

Shipping Weight:

Operator: 13-1/4 lb. (6.0 kg)
Positioner Kit: 2-1/8 lb. (1 kg)

Shaft End Connection:

9/16 in.-18 UNF male with 3/8 in.-16 UNC female

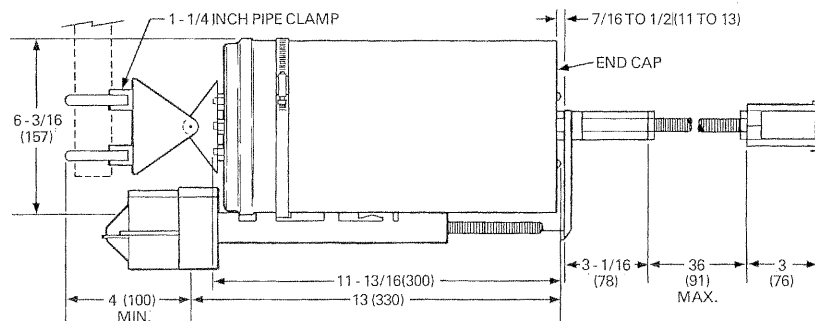
Air Connection:

MP920B: 1/4 in. (6 mm) push-on barb
Positioner:
5/32 in. (4 mm) push-on barb (pilot)
1/4 in. (6 mm) push-on barb (main and branch)

Accessories

- 14004345-001 Positive Positioner Kit
- AK3556 Pipe Mounting Bag Assembly, for 1-1/4 in. pipe
- AK3557 Short Clevis Bag Assembly, for 3/8 in.-16 threaded rod
- AK3558 Swivel Bracket Bag Assembly
- AK3559 Long Clevis Bag Assembly with actuator shaft coupling for 5/8 in.-11 threaded rod
- AK3560 Ball joint, 3/8 in.-24 threaded stud with couplings for 5/8 in.-11 threaded rod and actuator shaft
- AK3561 Ball joint, 3/8 in.-24 threaded stud with couplings for 3/8 in.-16 threaded rod
- 14004368-002 Bracket Assembly

Dimensions In Inches (Millimeters):



S 21058

By using this Honeywell literature, you agree that Honeywell will have no liability for any damages arising out of your use or modification to, the literature. You will defend and indemnify Honeywell, its affiliates and subsidiaries, from and against any liability, cost, or damages, including attorneys' fees, arising out of, or resulting from, any modification to the literature by you.

Home and Building Control

Honeywell Inc.
Honeywell Plaza
P.O. Box 524
Minneapolis MN 55408-0524

Honeywell Latin American Division

Miami Lakes Headquarters
14505 Commerce Way Suite 500
Miami Lakes FL 33016

Home and Building Control

Honeywell Limited-Honeywell Limitée
740 Ellesmere Road
Scarborough Ontario

Honeywell Europe S.A.

3 Avenue du Bourget
B-1140 Brussels Belgium

Honeywell Asia Pacific Inc.

Room 3213-3225
Sun Hung kai Centre
No. 30 Harbour Road
Wanchai
Hong Kong

Honeywell

Helping You Control Your World

