

## PP901A and B Pressure Reducing Valves

### SPECIFICATION DATA



### FEATURES

- Includes separate safety relief valve which can be adjusted to the desired safe operating pressure of the downstream line
- Gage tapping provided to measure the regulated pressure
- PP901B pressure change accomplished manually or automatically by electric or pneumatic switches
- PP901B provides adjustable stops to give two desired settings

### GENERAL

The PP901A and B Pressure Reducing Valves are used to control the pressure of the air delivered to pneumatic control systems.

The PP901A is used in single-pressure systems, while the PP901B is designed for use in two-pressure systems requiring two independent regulated air pressure settings.

## DESCRIPTION

The PP901A and B Pressure Reducing Valves are used to control the pressure of the air delivered to pneumatic control systems.

The PP901A is used in single-pressure systems, while the PP901B is designed for use in two-pressure systems requiring two independent regulated air pressure settings.

### Switchover:

Two-position pilot switch actuated electrically or pneumatically.  
Pressure relief feature exhausts pressure difference.

### Maximum Airflow:

10 scfm (0.05 m/s) at 18 psi (124 kPa) outlet

### Connections:

Inlet and out air: 1/4 in. NPT (female)  
Air gage: 1/8 in. NPT (female). 1/8 in. NPT pilot PP901B

### Mounting:

Bracket furnished

### Finish:

Anodized aluminum

### Accessories:

RP418A Electric-Pneumatic Relay plus Mounting Bracket Kit 14003638 for PP901B if desired

14004205-001 Filter Station

NOTE: A coalescing type filter is required upstream of the pressure reducing valve.

## SPECIFICATIONS

### Models:

- PP901A: For use in single pressure systems
- PP901B: For use in two-pressure systems

### Inlet Pressure:

45 to 150 psi (310 to 1034 kPa)

### Outlet (Regulated) Pressure:

0 to 25 psi (0 to 172 kPa); factory set at 0 psi

### Differential Pressure (PP901B):

Adjustable 0 to 5 psi (0 to 35 kPa); factory set at 4.5 psi (31 kPa)

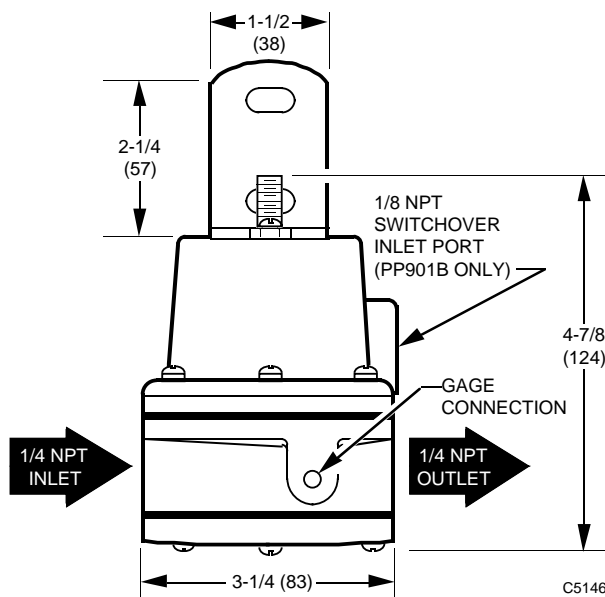
### Safety Pressure Relief:

Adjustable 12 to 25 psi (83 to 172 kPa); factory set at 23.5 psi (162 kPa)

### Relief Capacity:

5 scfm (0.03 m/s) at 20 psi (138 kPa) outlet

### Dimensions In Inches (Millimeters):



By using this Honeywell literature, you agree that Honeywell will have no liability for any damages arising out of your use or modification to, the literature. You will defend and indemnify Honeywell, its affiliates and subsidiaries, from and against any liability, cost, or damages, including attorneys' fees, arising out of, or resulting from, any modification to the literature by you.

### Home and Building Control

Honeywell Inc.  
Honeywell Plaza  
P.O. Box 524  
Minneapolis MN 55408-0524

### Home and Building Control

Honeywell Limited-Honeywell Limitée  
740 Ellesmere Road  
Scarborough Ontario

### Honeywell Asia Pacific Inc.

Room 3213-3225  
Sun Hung kai Centre  
No. 30 Harbour Road  
Wanchai  
Hong Kong

### Honeywell Latin American Division

Miami Lakes Headquarters  
14505 Commerce Way Suite 500  
Miami Lakes FL 33016

### Honeywell Europe S.A.

3 Avenue du Bourget  
B-1140 Brussels Belgium

**Honeywell**

Helping You Control Your World

