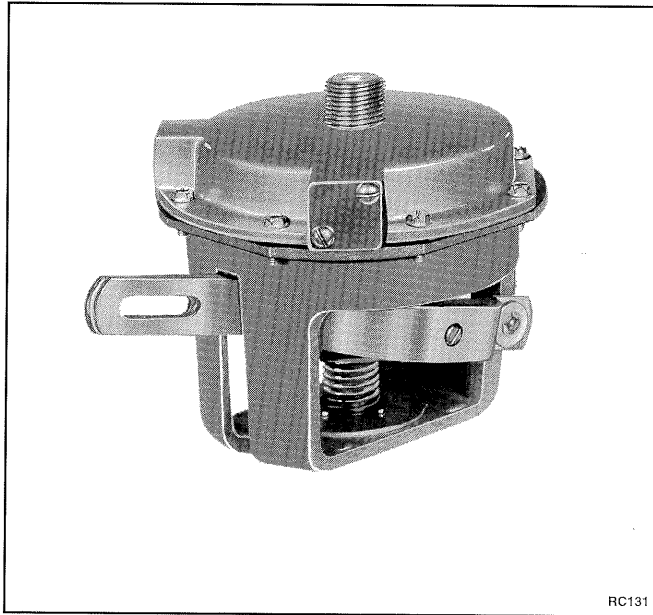


MP516A Unit Ventilator Damper Actuator

SPECIFICATION DATA



FEATURES

- Constructed of strong zinc aluminum die castings
- Hesitation feature available for use with cycles requiring minimum percentage outdoor air
- Lever arm position indicated by arrow stamped on arm, and reference scale adjacent to lever arm slot

GENERAL

The MP516A Unit Ventilator is a sturdy, compact pneumatic damper actuator used primarily on unit ventilator control systems, and may be adapted to various individual unit ventilator systems.



DESCRIPTION

The MP516A Unit Ventilator Damper Acuator is a sturdy, compact pneumatic damper actuator used primarily on unit ventilator control systems, and may be adapted to various individual unit ventilator systems.

SPECIFICATIONS

Model:
MP516A

Operating Range:

Hesitation Acuator:

Minimum OA range: Factory set for 33% minimum stroke at 3 psi (21 kPa). Field adjustable 0 to 100%.

Hesitation Range: 3 to 8 psi (21 to 55 kPa)

Maximum OA Range: 8 to 12 psi (55 to 83 kPa)

Single Range Acuator:

Range: Full stroke 4 to 8 psi (28 to 55 kPa) or 5 to 12 psi (35 to 83 kPa)

Stroke:

2-1/2 in. (64 mm), 2-1/16 in. (52 mm) minimum

Damper Load Rating:

2.7 sq ft (.25 sq. m)

Maximum Safe Air Pressure:

25 psi (172 kPa)

Ambient Temperature:

160F (71C) maximum, -20F (-29C) minimum

Air Connections:

Two 1/8 NPT

Mounting:

3/4-16 stud for mounting on bracket or compartment partitions

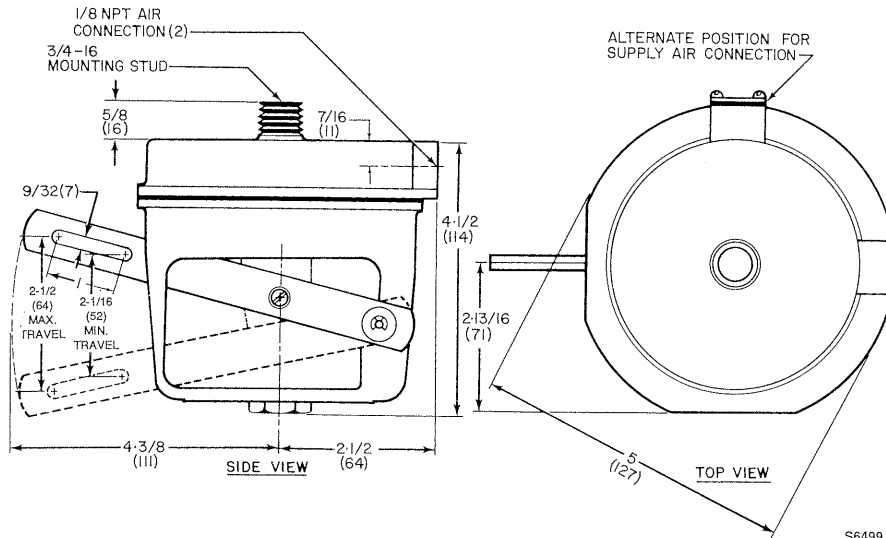
Finish

Cadmium plated and gray hammer

Fittings:

Special fittings available for adapting actuator to individual unit ventilator control systems

Dimensions In Inches (Millimeters):



Home and Building Control

Honeywell Inc.
Honeywell Plaza
P.O. Box 524
Minneapolis MN 55408-0524

Honeywell Latin American Division

Miami Lakes Headquarters
14505 Commerce Way Suite 200
Miami Lakes FL 33016

Home and Building Control

Honeywell Limited-Honeywell Limitée
740 Ellesmere Road
Scarborough Ontario
M1P 2V9

Honeywell Europe S.A.

3 Avenue du Bourget
B-1140 Brussels Belgium

Honeywell Asia Pacific Inc.

Room 3213-3225
Sun Hung kai Centre
No. 30 Harbour Road
Wanchai
Hong Kong

By using this Honeywell literature, you agree that Honeywell will have no liability for any damages arising out of your use or modification to, the literature. You will defend and indemnify Honeywell, its affiliates and subsidiaries, from and against any liability, cost, or damages, including attorneys' fees, arising out of, or resulting from, any modification to the literature by you.



Helping You Control Your World

