

General

The MP9 13 Pneumatic Operators are used for proportional control of variable volume dampers in high velocity mixing boxes. They are designed to be integrated with a manufacturer's own system, custom-modified for individual manufacturing or field installed.

Features

- Compact in size.
- Operates units handling up to 3,800 CFM (1.6 m³/s).
- Unaffected by ambient temperatures.
- Contamination-free.
- Rolling-diaphragm operated.
- Piston-type operator with Delrin body,



Specifications

MODEL

MP913A

STROKE

1 in. (25 mm) fixed.

OPERATING RANGE

- 3 to 8 psi (21 to 55 kPa).
- 3 to 13 psi (21 to 90 kPa).
- 5 to 10 psi (35 to 70 kPa).
- 10 to 15 psi (70 to 103 kPa).

SHAFT

3/8-16 threaded or roll pin end, regular or 4 in. (102 mm) extended, floating.

MOUNTING

Flat Bracket, Angle Bracket, No Bracket. Any position.

START POINT PRESSURE

Non-adjustable.

NET FORCE EXERTED

At 0 psi the operator shaft will hold against its inner stop and will resist an opposing force, as follows:

- 10 to 15 psi (70 to 103 kPa) range: 22 lbs. (10 kg).
- 5 to 10 psi (35 to 70 kPa) range: 11 lbs. (5 kg).

- 3 to 8 psi (20 to 55 kPa) range: 7 lbs (3 kg).

At 20 psi (138 kPa), the operator shaft will be held against its outer stop and will resist an opposing force as follows:

- 10 to 15 psi (70 to 103 kPa) range: 11 lbs. (5 kg).
- 5 to 10 psi (35 to 70 kPa) range: 22 lbs. (10 kg).
- 3 to 8 psi (20 to 55 kPa) range: 26 lbs (12 kg).

MAXIMUM SAFE AIR PRESSURE

30 psi (207 kPa).

AMBIENT TEMPERATURE RANGE

50 to 140 F (10 to 60 C).

DIAPHRAGM

Neoprene, rolling type.

DIMENSIONS

See Fig. 1.

AIR CONNECTIONS

Push-on barb for 1/4 in. 0.0. plastic tubing.

WHEN SPECIFYING, INDICATE

1. Model Number
2. Range (psi)
3. Shaft Connection, threaded or roll pin.

MATERIAL AND FINISH

Black and beige Oelrin.

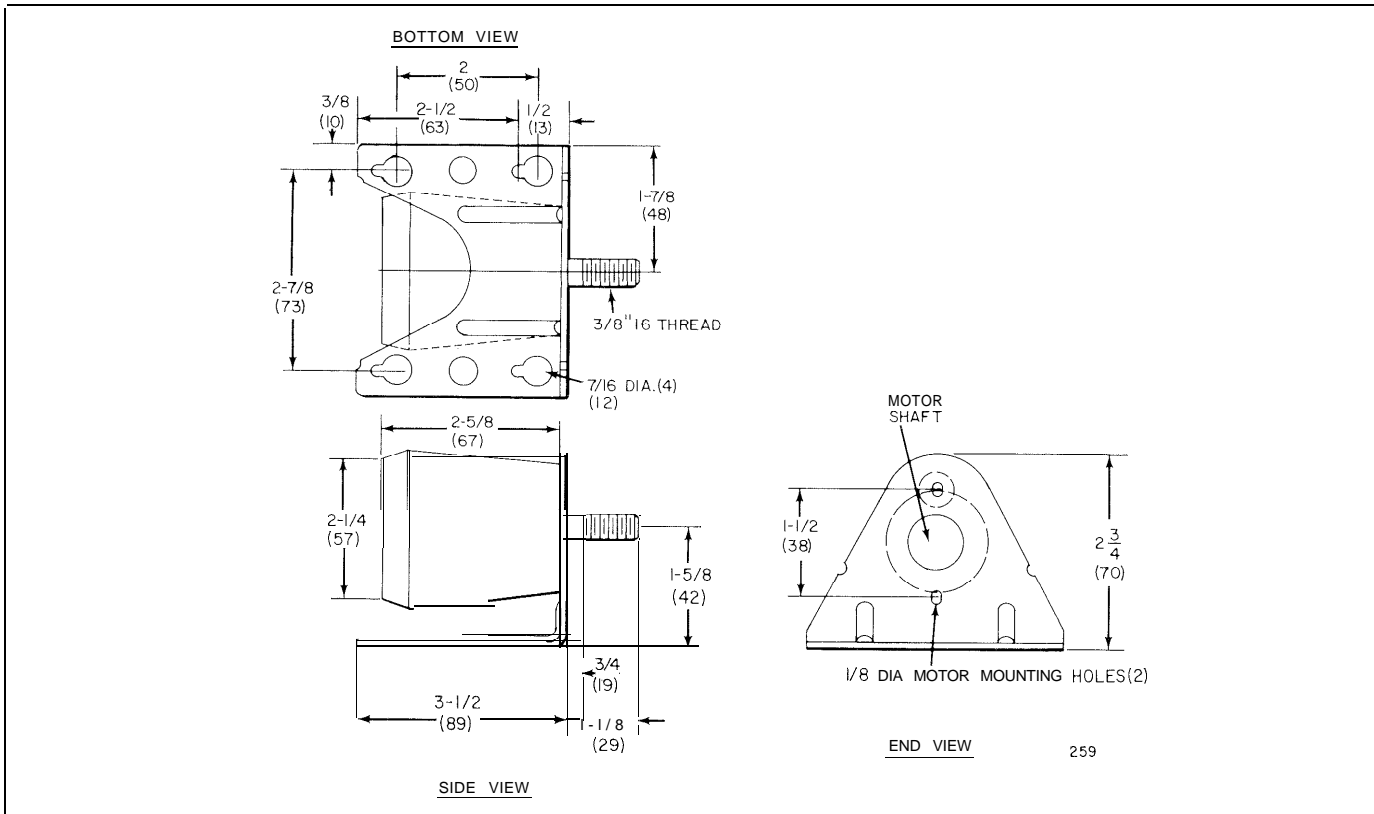


FIG. 1. MP913A AND ANGLE BRACKET (PART NO. 14003640-001) APPROXIMATE DIMENSIONS IN INCHES (MILLIMETERS), SHOWING STANDARD SHAFT.

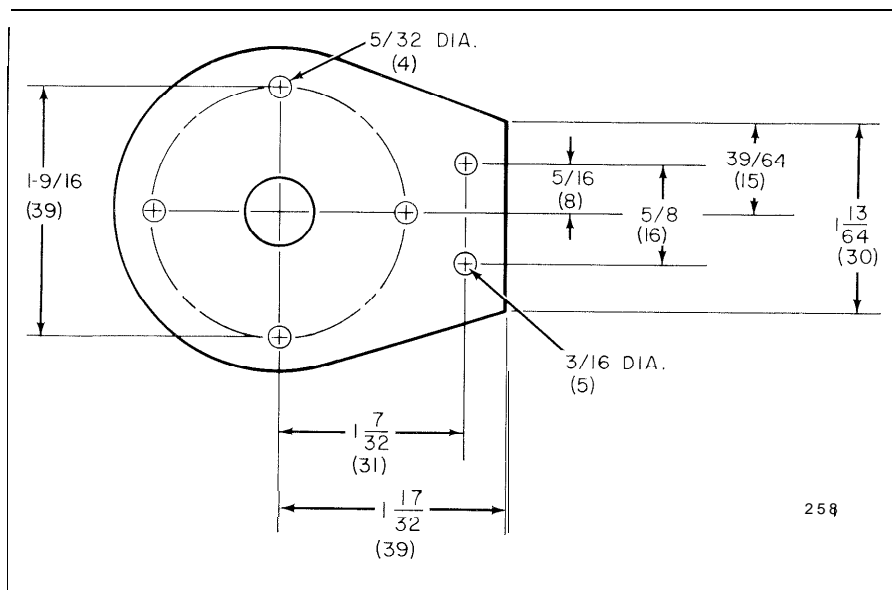


FIG. 2. FLAT BRACKET APPROXIMATE DIMENSIONS IN INCHES (MILLIMETERS) OF PART NO. 14002808-001.