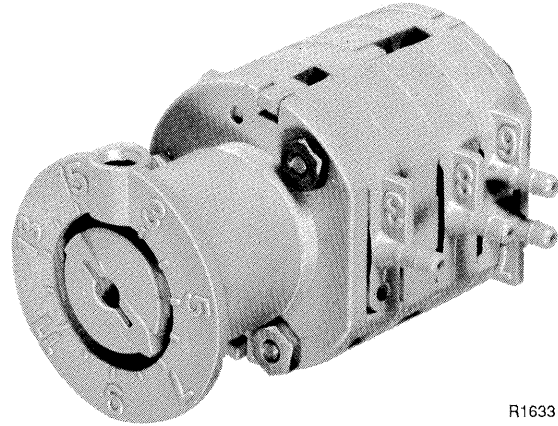


RP471A Pneumatic Snap Acting Relay



R1633

GENERAL

The RP471A is a four port, snap acting relay which converts a proportional air pressure change from a controller to a positive (two-position) pressure change to a pneumatic valve or damper operator. It can also divert a supply line to one of two branches.

Pilot pressure can be modulating; switch action is snap acting, two-position.

FEATURES

- Manually adjustable switching pressure
- Sharp barb connections for 5/32-inch (4 mm) O.D. plastic tubing
- Molded plastic construction with neoprene diaphragms and piano wire springs
- Surface or panel mounted

RP471A Pneumatic Snap Acting Relay

DESCRIPTION

The RP471A is a four port, snap acting relay which converts a proportional air pressure change from a controller to a positive (two-position) pressure change to a pneumatic valve or damper operator. It can also divert a supply line to one of two branches.

SPECIFICATIONS

Model:

RP471A: Snap acting pneumatic relay

Setpoint Range:

Adjustable, 3 to 15 psi (20 to 105 kPa)

Action:

SPDT, positive snap acting

Differential:

1 psi (10 kPa), nonadjustable, factory set

Maximum Safe Air Pressure:

30 psi (205 kPa)

Operating Pressure (Switch and Pilot):

0 to 18 psi (0 to 124 kPa)

Ambient Operating Limits

Temperature: 0 to 140F (-18 to 60C)

Humidity: 5 to 95%

Ambient Storage Limits:

Temperature: -30 to 150F (-34 to 66C)

Humidity: 5 to 95%

Knob Rotation:

300 degrees (from 3 to 15 psi on scale)

Mounting:

Surface or panel using 1-1/2 in. (38 mm) dia. metal spring clip (supplied) or in-line

Air Connections:

Sharp barb connections for 5/32-in. (4 mm) O.D. plastic tubing

Pilot:

Modulating pressure

Operation:

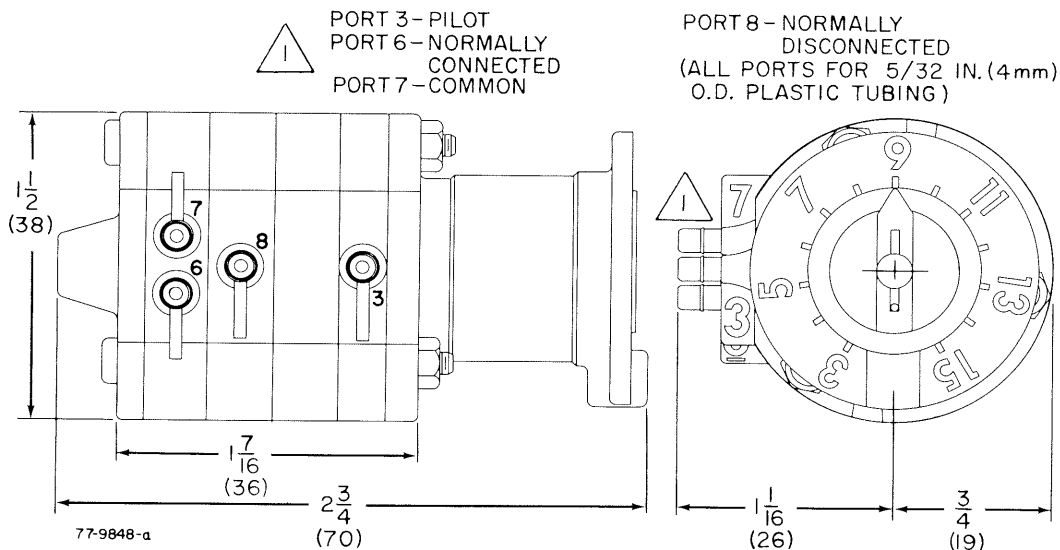
Makes 7 to 6 on pressure decrease to setpoint minus differential

Makes 7 to 8 on pressure increase to setpoint

Construction:

Molded plastic with neoprene diaphragms and piano wire springs

Dimensions:



Approximate Dimensions in Inches (Millimeters)

Honeywell

In the USA: Honeywell Plaza, Minneapolis, Minnesota 55408
In Canada: Scarborough, Ontario M1P 2V9
Subsidiaries and Affiliates Around the World

77-9848

Commercial Bldg Group
MLF TAB: II. C. 5.

Printed in USA

Rev. 7-87

By using this Honeywell literature, you agree that Honeywell will have no liability for any damages arising out of your use or modification to, the literature. You will defend and indemnify Honeywell, its affiliates and subsidiaries, from and against any liability, cost, or damages, including attorneys' fees, arising out of, or resulting from, any modification to the literature by you.