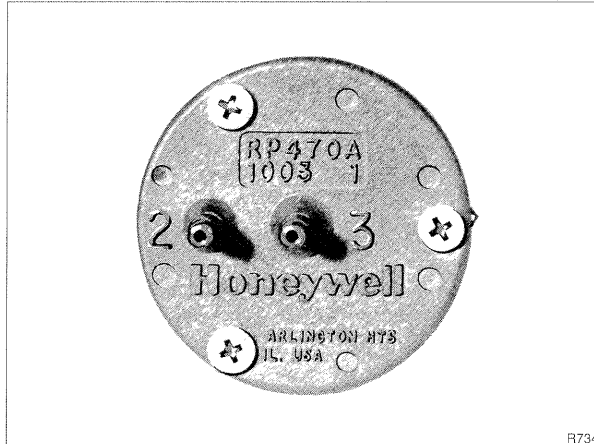


## RP470A & B Pneumatic Selector Relays



### *General*

RP470 A & B Pneumatic Selector Relays are used in HVAC systems to perform a variety of relay functions. The RP470A & B are three-port relays.

The RP470A transmits the higher of two input signals. The RP470B either locks out one pressure signal when a second signal is higher, or transmits the lower of two pressure signals, according to the application.

### *Features*

- In-line, wall, or panel mounted
- Sharp-barb air connections
- Molded plastic construction

## Description

RP470 A & B Pneumatic Selector Relays are used in HVAC systems to perform a variety of relay functions. The RP470A and B are three-port relays.

## Specifications

### Models:

- RP470A Higher-of-Two Pressures Relay
- RP470B Lockout Relay or Lower-of-Two Pressures Relay

### Operating Range:

0 to 18 psi (0 to 125 kPa)

### Maximum Safe Air Pressure:

30 psi (205 kPa)

### Ambient Operating Limits:

Temperature: 0 to 140F (-18 to 60C)

Relative Humidity: 5 to 95%

### Air Handling Capacity:

0.039 scfm at 1 psi differential (18 ml/s at 5 kPa differential)

### Mounting:

In-line, wall, or panel mounted

### Air Connections:

Barb type for 5/32-in. (4-mm) O.D. plastic tubing

### Port Identifications:

RP470A:

Port 2—Branch output

Port 3—Pilot input A

Port 5—Pilot input B

RP470B:

Port 2—Signal input or branch output

Port 3—Branch output or vent

Port 5—Pilot input

### Port Operation:

RP470A: Transmits higher of two input pressures at pilot input Ports 3 and 5 through outlet Port 2

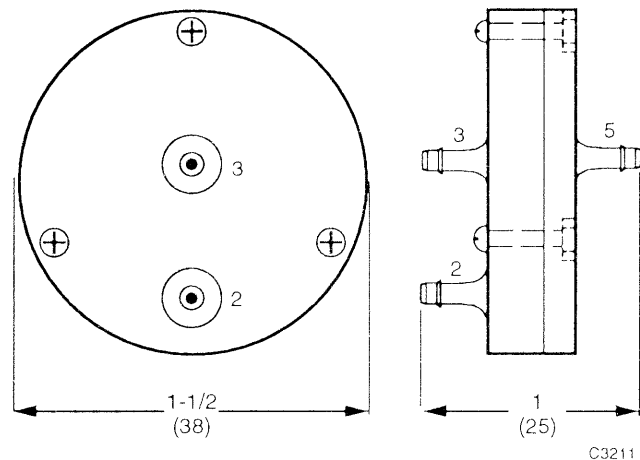
RP470B: In lockout application: When pressure at Port 2 is greater than pressure at Port 5, Relay passes signal at Port 2 to Port 3. When pressure at Port 5 is greater than pressure at Port 2, diaphragm closes Port 3

In lower-of-two-pressures application: Output signal from Filter Restrictor (between input signal and Port 2) equals the lowest input pressure received at Port 2 or Port 5. Output is a pilot signal, not a capacity signal. (Requires 0.007 Filter Restrictor 14002913-002 unless signal is already restricted, as in a one-pipe device input. For more information, see Pneumatic Relays and Switches Engineering Data 77-9384.)

### Construction:

Molded plastic with neoprene diaphragm and stainless steel valve seat

### Dimensions In Inches (Millimeters):



RP470A & B

### Accessories:

- 1-1/2-in. Mounting Clip 14003030-001 for mounting Relay to wall or panel
- Cable Clamp 801629S for mounting Relay to wall or panel
- 0.007 Filter Restrictor 14002913-002 for use with RP470B in lower-of-two-pressures application

By using this Honeywell literature, you agree that Honeywell will have no liability for any damages arising out of your use or modification to, the literature. You will defend and indemnify Honeywell, its affiliates and subsidiaries, from and against any liability, cost, or damages, including attorneys' fees, arising out of, or resulting from, any modification to the literature by you.

**Honeywell**

### Home and Building Control

Honeywell Inc.  
Honeywell Plaza  
P.O. Box 524  
Minneapolis, MN 55408-0524

### Home and Building Control

Honeywell Limited-Honeywell Limitée  
740 Ellesmere Road  
Scarborough, Ontario  
M1P 2V9

Helping You Control Your World