

Honeywell E-Mon

Honeywell E-Mon Optional Outdoor Meter Enclosure

OPTION "R" OUTDOOR ENCLOSURE FOR 1000, 2000 & GREEN CLASS METERS (EX. E20-208200-R-D-KIT)

SPECIFICATION DATA

FEATURES

- Outdoor enclosure is standard with Class 3200 & 5000
- NEMA 4X rated outdoor polycarbonate enclosure
- 1 1/16" KO (3/4" cond.) on bottom of enclosure
- Padlocking hasp (Stainless Steel)
- Temp. Range -20°C to 55°C (-4°F to 131°F)
- Flammability Rating: UL94-V0
- Self Extinguishing: Non-flame propagating



Fig. 1.

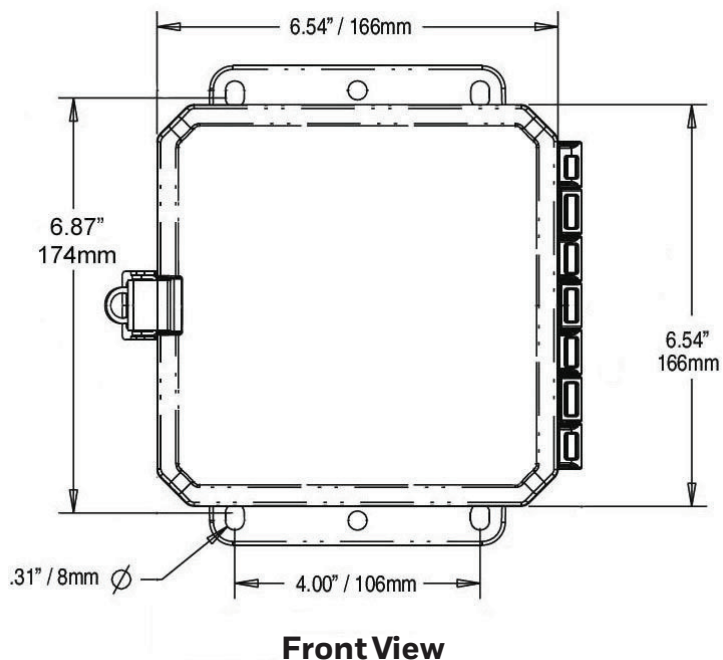


Fig. 2. Enclosure Dimensions



38-00080-01

Home and Building Technologies

In the U.S.:

Honeywell E-Mon

715 Peachtree Street NE

Atlanta, GA 30308

customer.honeywell.com

® U.S. Registered Trademark
© 2019 Honeywell International Inc.
38-00080-01 M.S. 01-19
Printed in United States

Honeywell E-Mon