

5824 Serial/Parallel Printer Interface Module Product Installation Document

PN 151392:G4 3/27/2018 18-123

1 General

The 5824 Serial/Parallel Printer Interface Module connects a compatible fire alarm control panel (FACP) directly to a printer to print event history, system event logs, and detector statuses. This document is for quick reference. For more information, refer to the FACP installation manual.



NOTE: Installation and wiring of this device must be done in accordance with NFPA 72 and local ordinances.

2 Specifications

Operating Voltage	24 VDC
Current (Alarm and Standby)	50mA
Max Per FACP	Addressable FACP's qty 4; 5208 FACP qty 1
Operating Temperature	32°F to 120°F (0°C to 49°C)
Max Wiring Distance from FACP	6000 ft. (1829 m)
Mounting	Surface
Dimensions	6"W x 7-3/4"H x 1-7/16"D (15.2 cm W x 19.7 cm H x 3.7 cm D)
Parallel Port	Ancillary
Serial Port	Primary Fire Signaling

3 Mounting

The 5824 ships in a plastic enclosure which must be mounted inside the annunciator or accessory cabinet.

To mount the 5824 plastic enclosure into the appropriate cabinet:

1. Remove the 5824 cover. Use a small screwdriver if necessary.
2. Remove the 5824 circuit board from the base by pushing outward on the base snap retaining tabs and lifting out the circuit board.

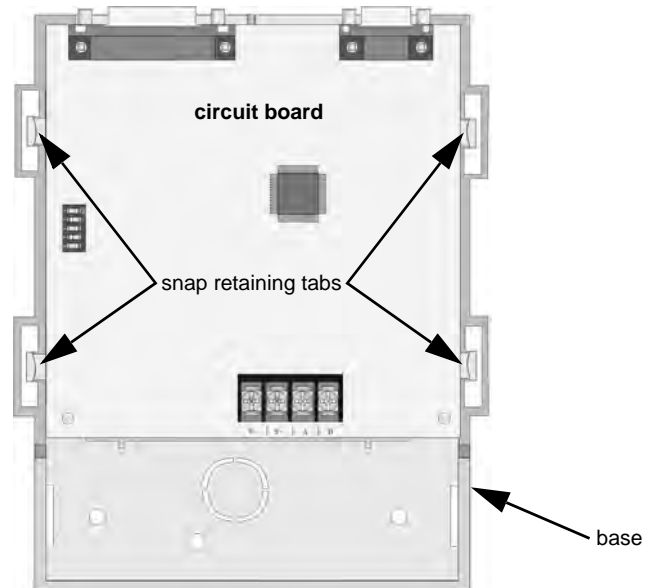


Figure 1 5824 Circuit Board And Plastic Base

3. Mount the plastic base into the appropriate accessory cabinet.
4. Replace the circuit board in the plastic base.



NOTE: It may be necessary to connect the wiring to the circuit board before the board is replaced into the base.

4 Wiring to a FACP

Terminate the wiring as shown in the diagram and table below.

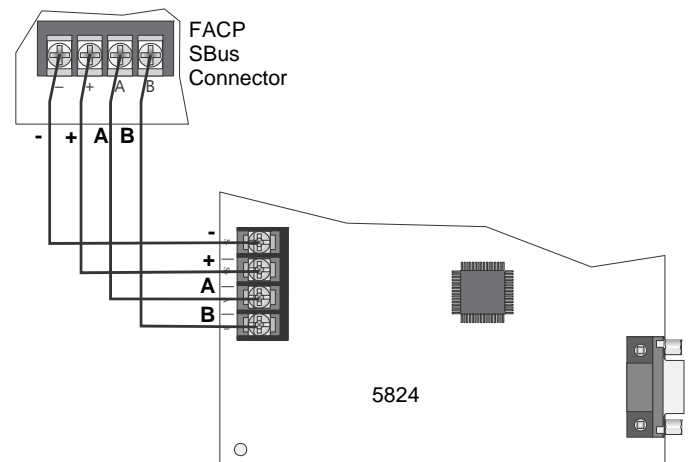


Figure 2 Wiring the 5824 to the FACP

5824 Terminals	FACP SBUS Terminals
B	B
A	A
S+	+
S-	-

Table 1 5824 to FACP Connections

5 Setting DIP Switches

Each 5824 connected to a compatible FACP requires an ID number which is set using the DIP switches on the 5824 circuit board. Refer to the figure below to see how to position the DIP switches for the desired ID number. See the FACP installation manual for specific information on device ID assignments. *Note that address 0 is invalid and cannot be used.*

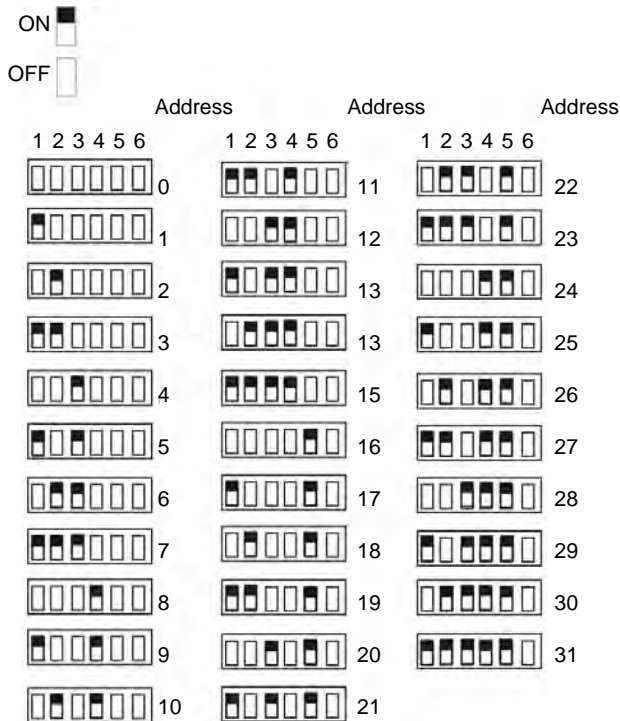


Figure 3 DIP Switch Settings

6 Connecting to a Printer

Cables are not supplied with the 5824. Use either a pass-through 9-pin serial cable or a 25-pin Centronics® parallel cable to connect the 5824 to the printer. Using the appropriate printer cable, connect the cable to the serial or parallel port on the 5824, and then connect it to the printer.