

**INSTALLATION AND MAINTENANCE
INSTRUCTIONS**

**CIM-2B Isolator Module
CSM-1A Silencing Module
CIM-FA Fuse Board**



Specifications

Mounting 4" X 4" X 2 1/8" Standard box	Operating Voltage (CIM-2B): 15-30VDC, 25 or 70 VAC audio	Output Circuit Rating 150mA Max. at 24VDC, 3.75W Max 25/70 VAC
Weight 5 oz.	Standby Current 0.0A	Inrush Current (1-CIM-2B and 2-CSM-1A), (0.1s detect) 50mA at 70 VAC, 100mA at 24VDC, 150mA at 25VAC
Indoor Operating Temperature 32°F to 120°F (0°C to 49°C)	Alarm Consumption (1-CIM-2B and 2 CSM-1A) Continuous Signal- 24VDC- 19.5mA, 25VAC- 0.9 Watt, 70VAC-1.1 Watts Temporal Signal- 24VDC-18mA, 25VAC-0.9 Watts, 70VAC- 1.4 Watts	Terminals 14-22 AWG

Before Installing

This information is included as a quick reference installation guide. If the modules are to be installed in an existing operational system, inform the operator and local authority that the system will be temporarily out of service. Disconnect power to the control panel before installing the modules.

NOTICE: This manual should be left with the owner/user of this equipment.

General Description

The CIM-2B/CSM-1A shall operate with standard 24 VDC audible devices and 25/70 VAC speakers. The CIM-2B shall be powered from a standard 24 V regulated DC or full wave rectified indicating appliance circuit or a 25/70 volt audio circuit. During alarm tone signalling a red alarm LED shall illuminate on both modules.

The CSM-1A residential suite module incorporates a switch to silence an audible signal during alarm for up to 10 minutes. If the alarm signalling period extends beyond 10 minutes the audible signal will automatically re-sound. For speaker operation to override 10 minute silence to allow paging, the CIM-2B module detects the pre-announce tone and resets the CSM-1A modules connected to it. The alarm tone must be a different frequency than the pre-announce tone. To operate the silence mechanism push on the coverplate where indicated during signalling operation.

The wiring between the CIM-2B and suite sounding device shall be short circuit isolated during alarm signalling. The CIM-FA installs as shown in figure 5 and placed in a 4x4 electrical box. The CIM-2B/CSM-1A/CIM-FA modules are designed to operate with compatible fire alarm systems to meet the intent of the National Building Code.

Installation

All wiring must be installed in compliance with the Canadian electrical code and all applicable local codes as well as any special requirements of the authority having jurisdiction, using the proper wire size. This also includes all applicable ULC standards.

Mechanical

The CIM-2B and CSM-1A modules mounts directly to 4" square electrical boxes as shown in figure 1. The box must have a minimum depth of 2 1/8". Ensure the electrical box is flush with the wall surface to allow proper operation of the silence switch. When the coverplate is mounted to the module as shown in Fig. 1, you should here the switch click when pressing and releasing the coverplate. For installations where the mod-

ule may be recessed such that the switch is further away from the coverplate, install the plastic switch cap as shown in Figure 1A. At no time should the coverplate keep the switch pressed down.

Electrical

1. Connect 24VDC, 25 volt or 70 volt signal circuit to the CIM-2B module and wire the CSM-1A modules to the CIM-2B module as shown in Figure 2.

NOTE: PLACE THE JUMPER ON THE APPROPRIATE POSITION ON THE BACK OF THE CIM-2B MODULE FOR EITHER 24VDC, 25 OR 70 VOLT SIGNAL CIRCUIT AS SHOWN IN FIGURE 3.

2. Connect the suite signalling devices to the CSM-1A modules as shown in Figure 2.

Figure 1. Module mounting :

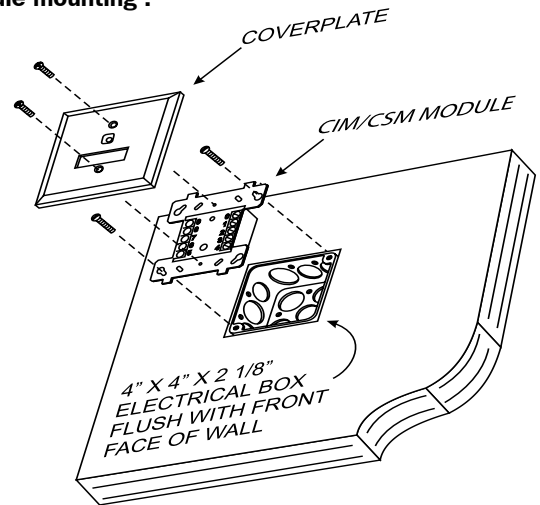


Figure 1A: Plastic Switch Cap

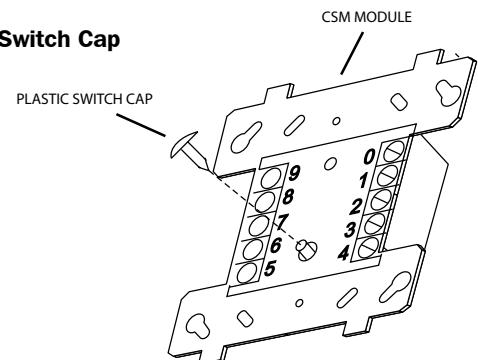


Figure 2. Wiring of CIM-2B and CSM-1A Modules

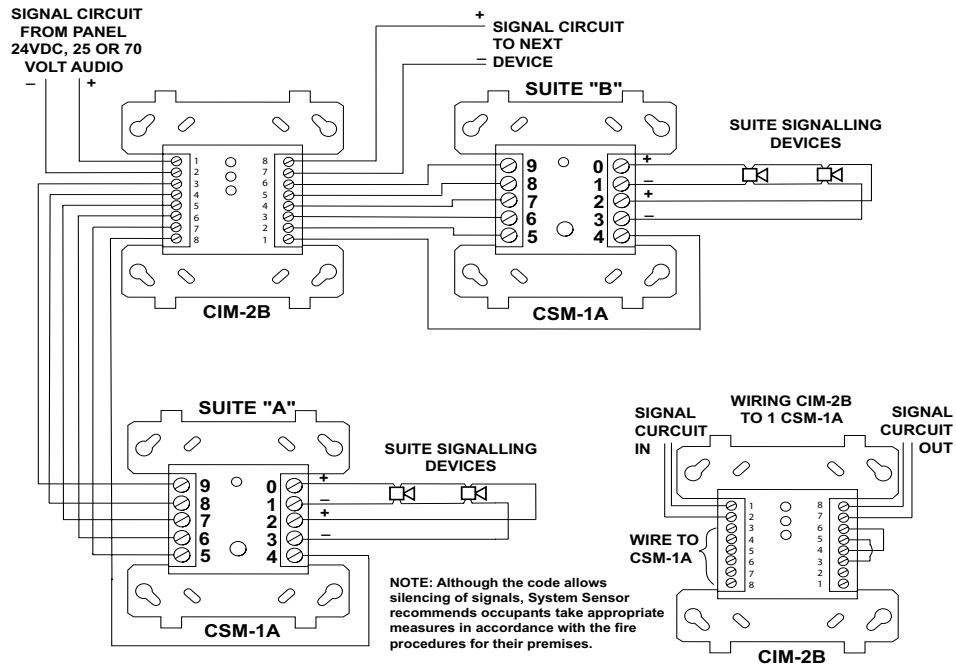


Figure 3. Jumper Set-up for CIM-2B

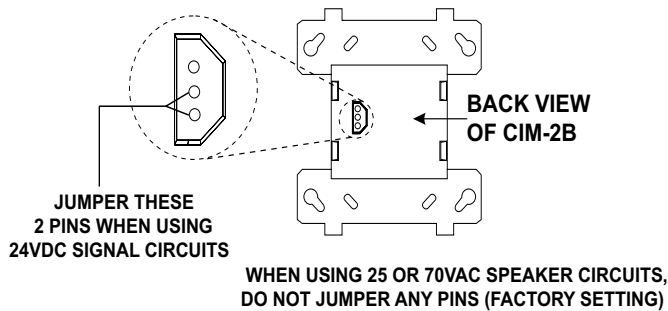


Figure 4. Module Indicators

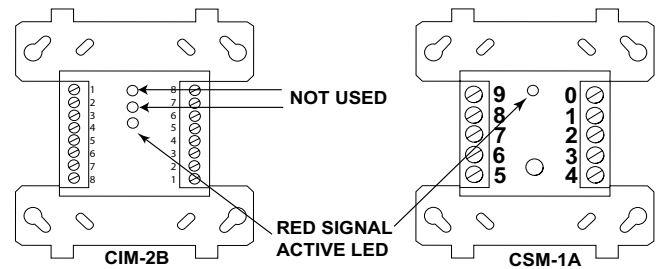
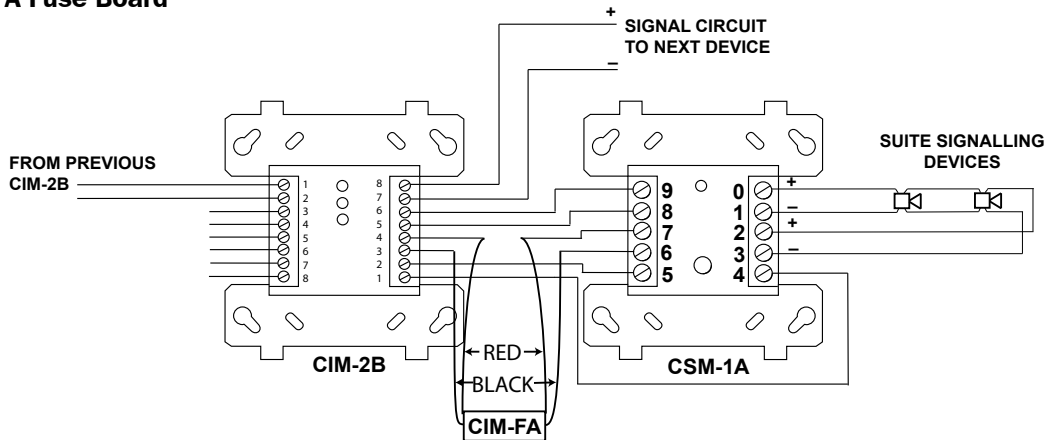


Figure 5. Wiring of CIM-FA Fuse Board



This class B digital apparatus complies with Canadian ICES-003

Three-Year Limited Warranty

System Sensor warrants its enclosed module to be free from defects in materials and workmanship under normal use and service for a period of three years from date of manufacture. System Sensor makes no other express warranty for this smoke detector. No agent, representative, dealer, or employee of the Company has the authority to increase or alter the obligations or limitations of this Warranty. The Company's obligation of this Warranty shall be limited to the repair or replacement of any part of the smoke detector which is found to be defective in materials or workmanship under normal use and service during the three year period commencing with the date of manufacture. After phoning System Sensor's toll free number 1-800-SENSOR2 (736-7672) for a Return Authorization number, send defective units postage prepaid to: System Sensor, Repair Department, RA # _____, 6581 Kitimat Rd., Unit #6, Mississauga, Ontario, L5N 3T5. Please include a note describing the malfunction and suspected cause of failure. The Company shall not be obligated to repair or replace units which are found to be defective because of damage, unreasonable use, modifications, or alterations occurring after the date of manufacture. In no case shall the Company be liable for any consequential or incidental damages for breach of this or any other Warranty, expressed or implied whatsoever, even if the loss or damage is caused by the Company's negligence or fault. Some states do not allow the exclusion or limitation of incidental or consequential damages, so the above limitation or exclusion may not apply to you. This Warranty gives you specific legal rights, and you may also have other rights under common law.