

FS90 Retrofit Kit
PN 54704:A1 6/14/11 ECN 11-154
Form Number 95-7793-1

1 Overview

The FS90 Retrofit Kit allows for the installation of the XLS140-2 and the XLS3000 Fire Alarm Control Panel into pre-existing Honeywell Building Solutions cabinets. There are three kits available depending on the needs of the system and the size of the existing cabinet. The three kits available are as follows:

- Small (A single equipment row with an additional row for a power supply or two 26 amp hour batteries) - XLS-SSP
- Large (Three equipment rows with an additional row for a power supply or two 26 amp hour batteries) - XLS-LSP
- Large with Audio (Three equipment rows with an additional row for a power supply or two 26 amp hour batteries, specifically designed for use with audio equipment) - XLS- LSPA

NOTE: If you don't have an onboard power supply, you can use two 26-amp batteries that will fit inside the cabinet. If you are mounting a power supply the batteries must be housed in a separate listed cabinet.

Each kit comes equipped with an equipment back plate, a dress panel, required brackets for dress panel attachment, and an outer door as well as all required hardware for the installation. See section 2.6 for a list of parts.

Refer to the illustrations below for installation instructions for the FS90 Retrofit Kits.

2 Instructions

2.1 Mount the back plate to the backbox

Step One:

Use the 6-32 KEPS Hex Nuts to secure the middle of the mounting plate inside the cabinet.

Step Two:

Use the Self Tapping Screws on each side of the mounting plate to secure the placement inside the cabinet.

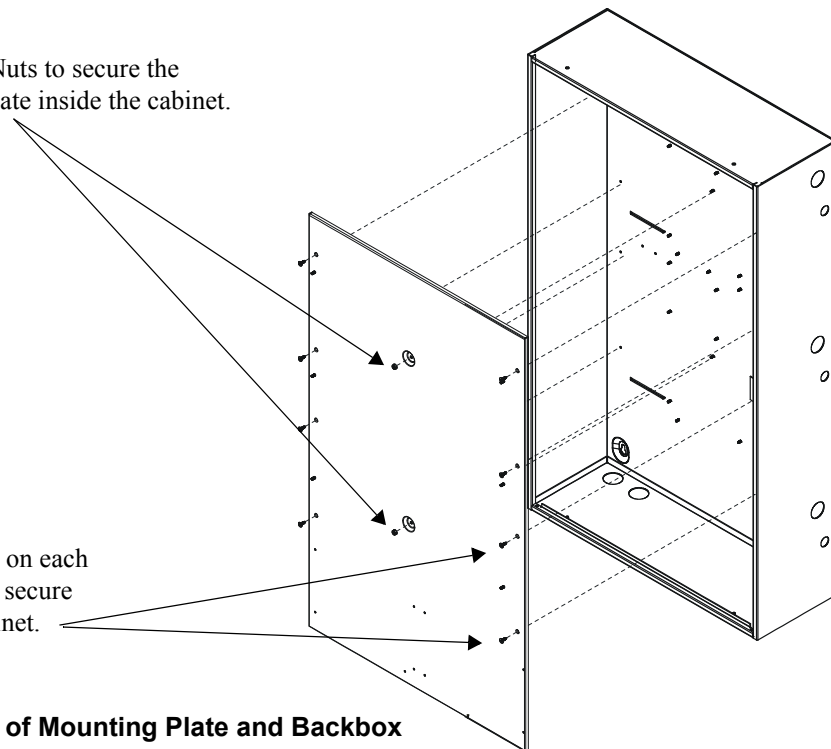
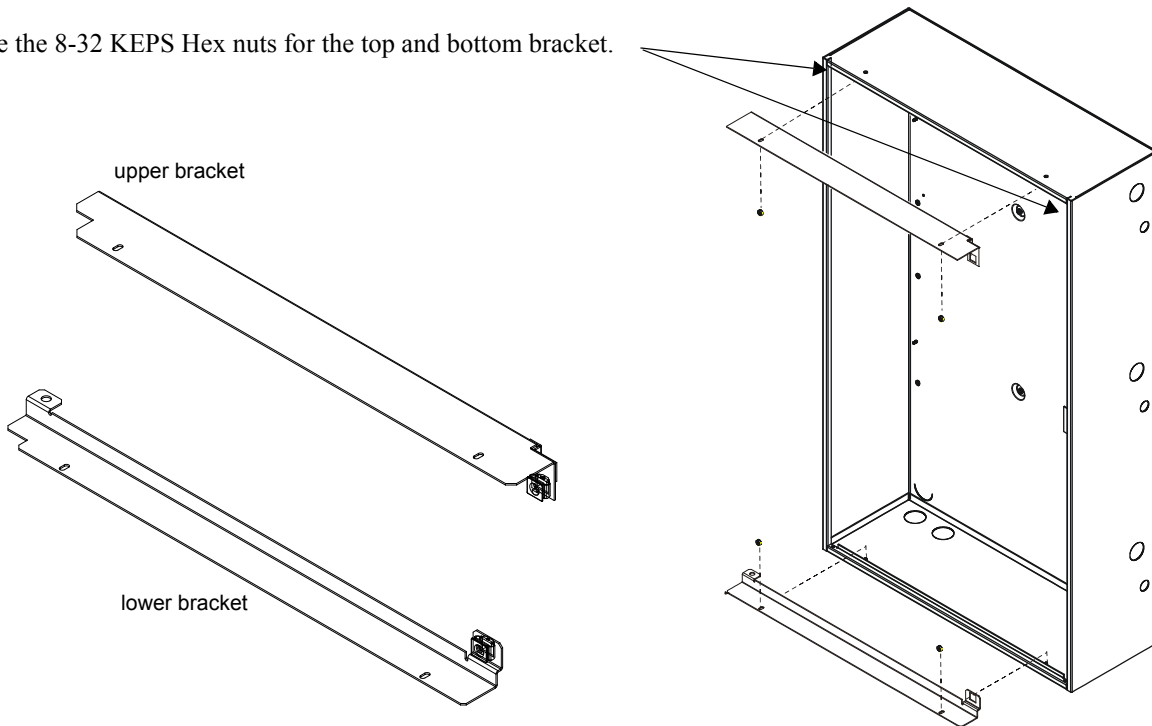


Figure 1 Generic View of Mounting Plate and Backbox



2.2 Install the Mounting Brackets Inside the Backbox

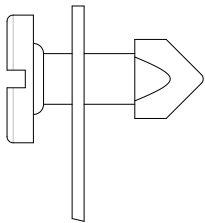
Use the 8-32 KEPS Hex nuts for the top and bottom bracket.



2.3 Mount the Dress Panel on the Brackets

Step One:

Insert the 1/4 turn fastener through the drilled holes in the dress panel and attach the plastic retainer. This will keep the 1/4 turn fastener from falling out. Do this for the upper right corner and again in the lower right corner.



Step Two:

Fit the bottom left pin into the mounting bracket

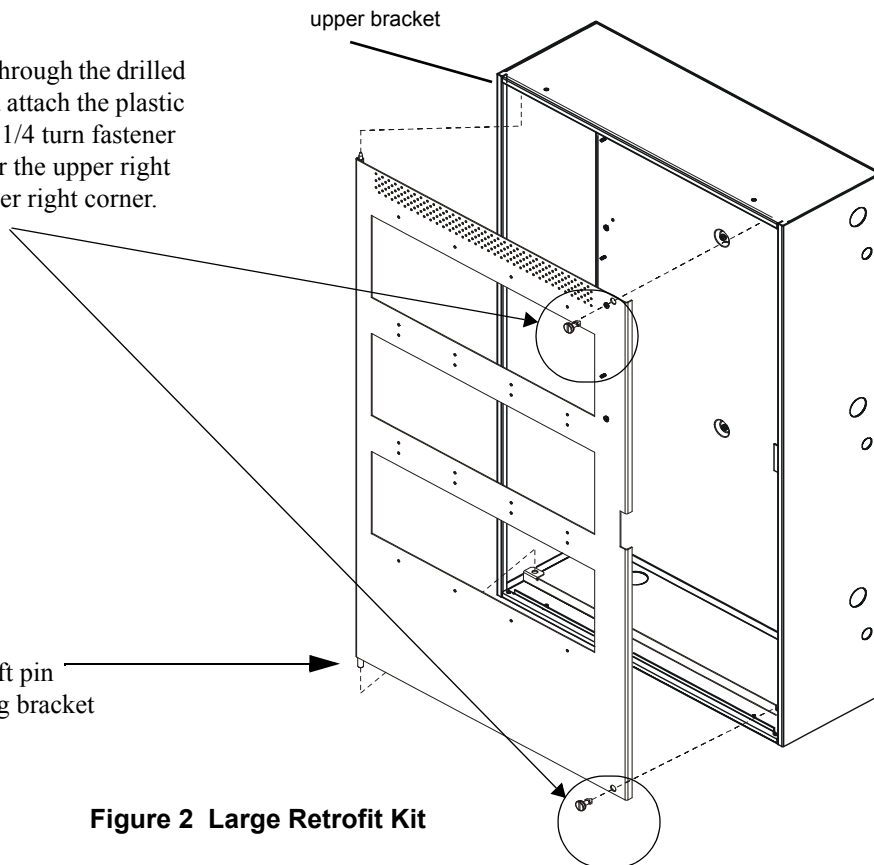
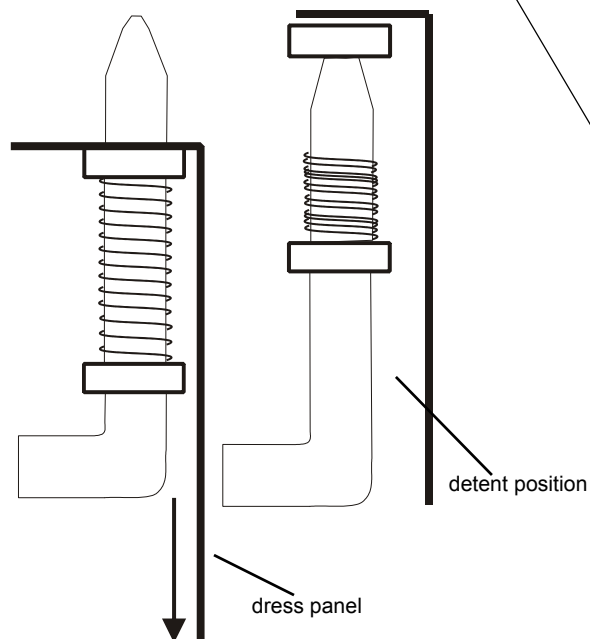


Figure 2 Large Retrofit Kit

Step Three:

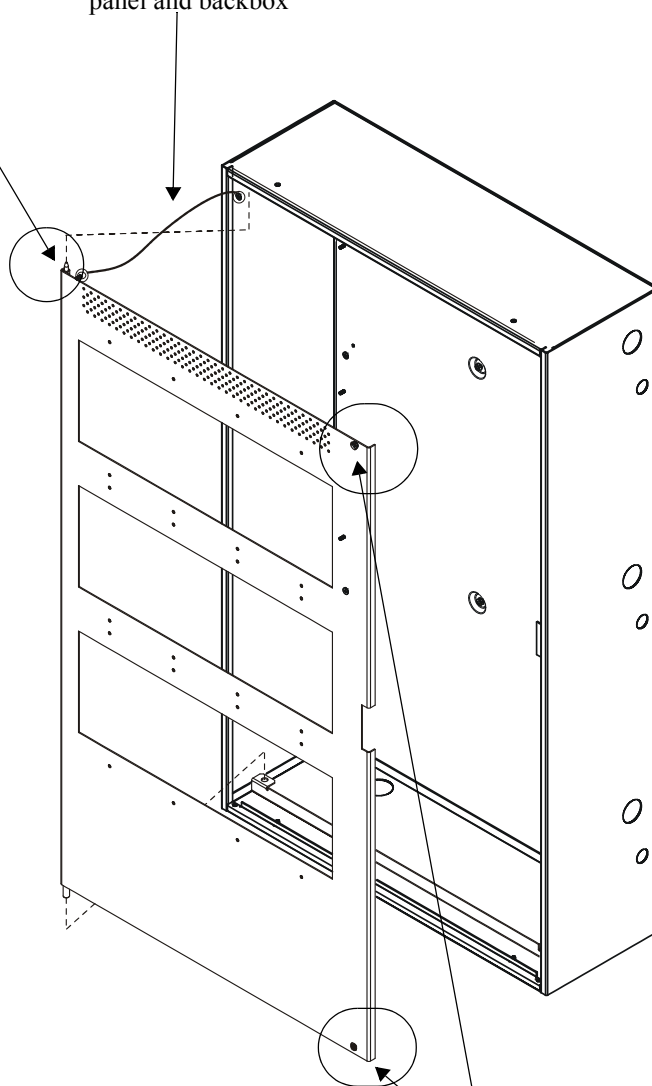
Pull down on the spring in the upper left hand corner of the dress panel (see example below).



Holding down the spring, fit the upper left hand corner of the dress panel to the upper bracket and release the spring so that the pin goes into the upper mounting bracket.

Step Four:

Attach the ground wire cable to the studs in the dress panel and backbox



Step Five:

Secure the right hand side to the dress panel using the two 1/4 turns at the top and bottom.

2.4 Attach the Door and the Lock

Step One:

Fit the bottom left pin of the door into the cabinet.

Step Two: Push the pin down and fit it into the upper left hand corner of the cabinet.

Step Three:

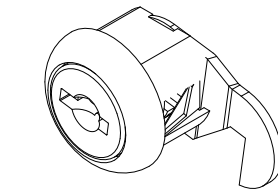
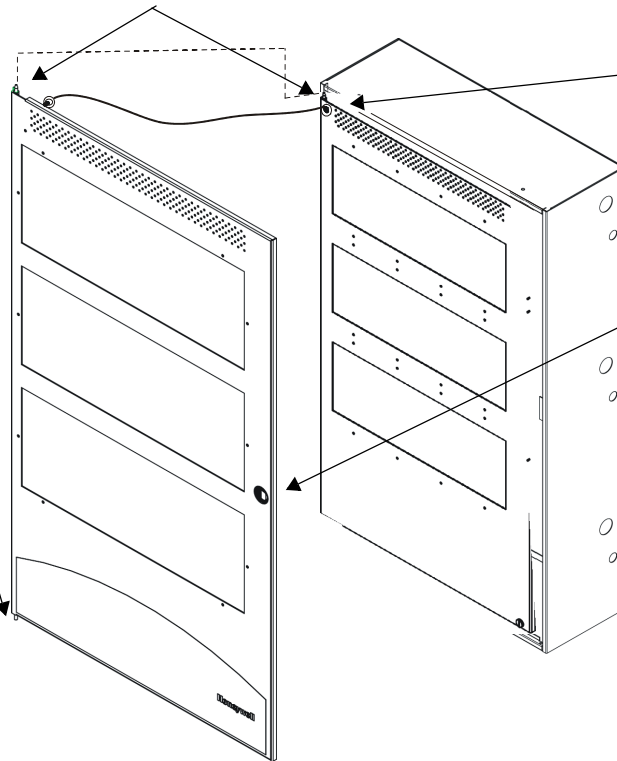
Attach the ground wire cable to the studs in the door and back box.

Step Four:

Take the snap-in lock and orient it as shown in the graphic below: Push the lock in place in the opening provided for it.

Step Five:

Mount the chassis to the back plate using studs. Please reference your installation manual for details.



Lock shown in locked position

Figure 3 Large Retrofit Kit



NOTE: When mounting your power supply in the bottom of the cabinet, refer to the appropriate power supply installation manual.

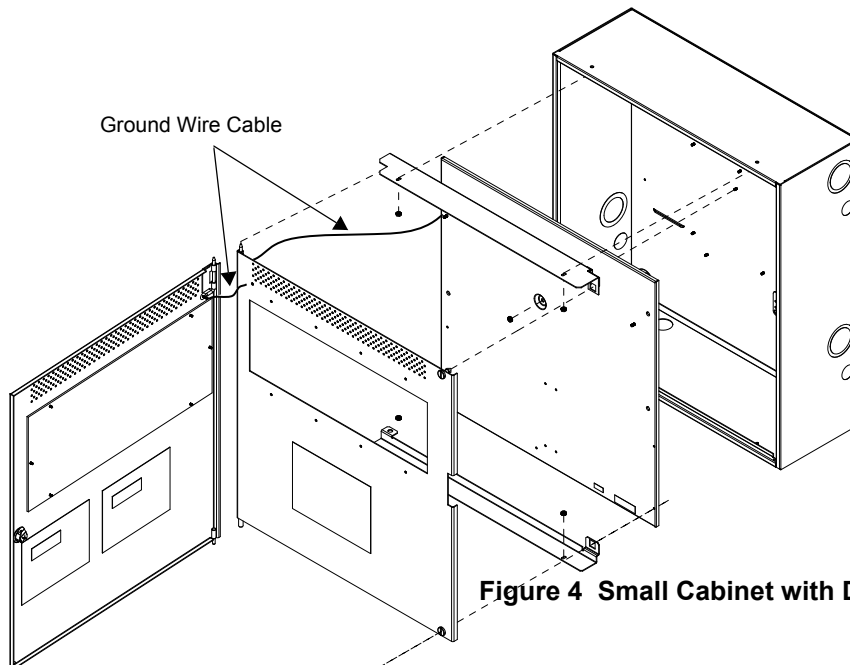


Figure 4 Small Cabinet with Door, Dress Panel & Backbox

2.5 UL Power-limited Wiring Requirements

Power-limited and non power-limited circuit wiring must remain separated in the cabinet. All power-limited circuit wiring must remain at least 0.25 inches (6.35 mm) from any non power-limited circuit wiring. All power-limited and non power-limited circuit wiring must enter and exit the cabinet through different knockout and or conduits. To maintain separation, group non-power limited modules together, i.e., group modules on the same side of the enclosure or in separate rows. The figure below shows one configuration that meets these UL requirements (Wire per NFPA 70, Article 760-25 for power limited external wiring).

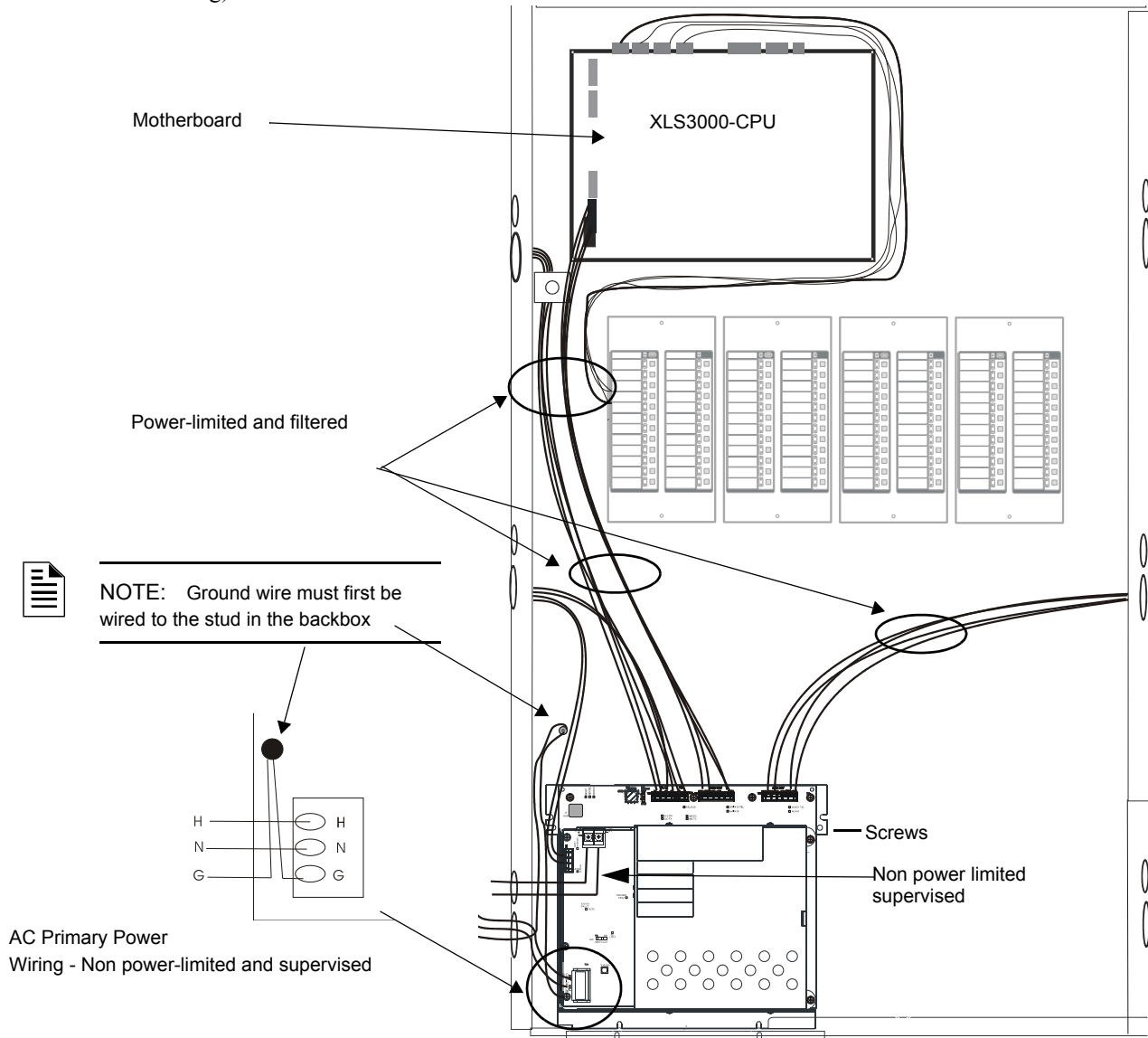


Figure 5 Panel with Separate Power Supply

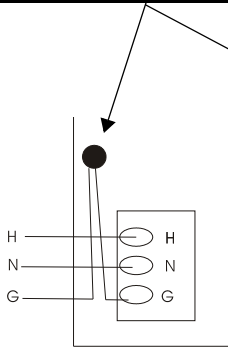


NOTE: AC and battery wiring are non power-limited. Maintain at least 0.25 inches (6.35 mm) between power-limited and non power-limited circuit wiring. Install the wraps and adhesive squares to secure the wiring

NOTE: If you are mounting a power supply, the batteries must be mounted in a UL-listed battery box.



NOTE: Ground wire must first be wired to the stud in the backbox



AC Primary Power Wiring - Non power-limited and supervised

Power limited wires

Motherboard with Power supply

Power-limited wiring

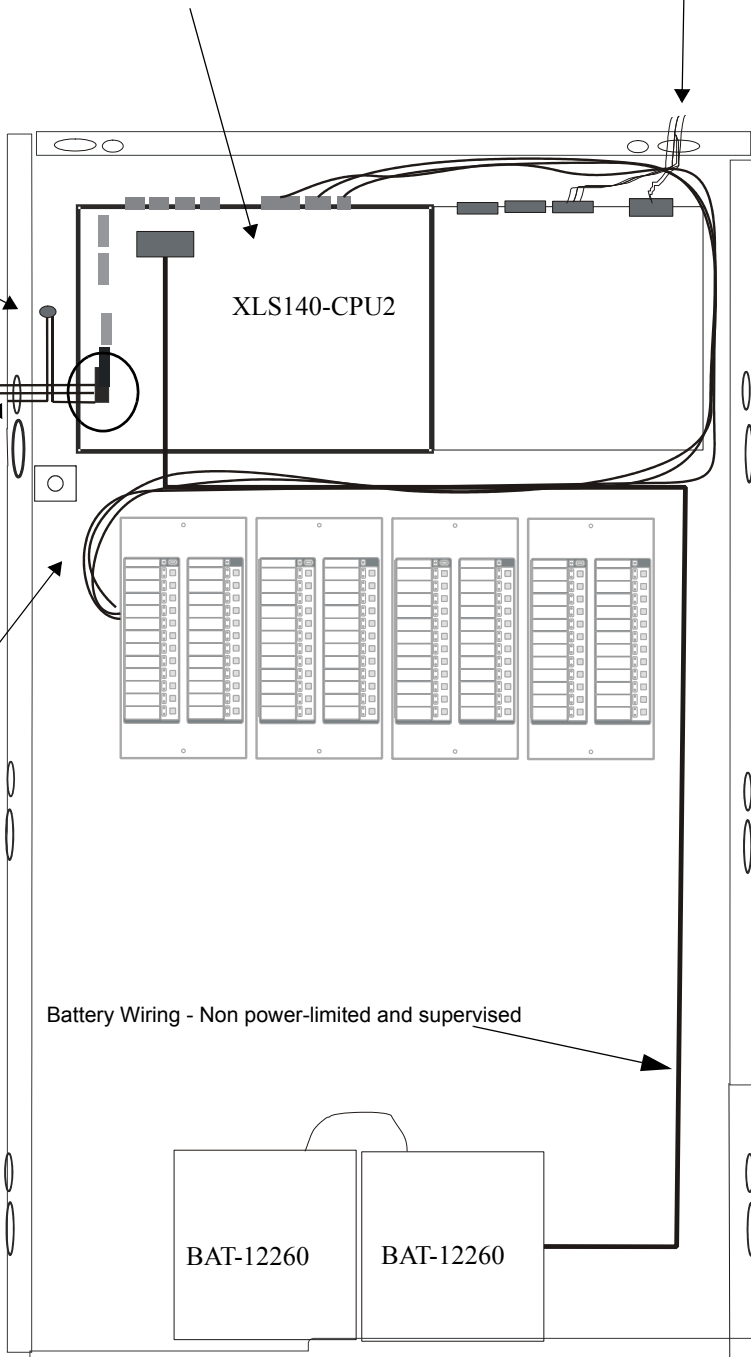


Figure 6 Panel with On-Board Power Supply

2.6 List of parts

Part Number	Quantity	Description
18927	1	HBS FS-90 Retrofit sheet metal plate mounting
18928	1	HBS FS-90 Retrofit bottom hinge bracket
18884	1	HBS FS-90 Retrofit top hinge bracket
18926	1	HBS FS-90 Retrofit sheet metal dress panel, large standard
05313	1	HBS FS-90 Retrofit, large door standard
23429	1	HBS FS-90 Retrofit window door
30889	1	HBS FS-90 Retrofit overlay door
17059	1	Snap-in Lock, 3 Series
75072	2	Ground wire cable
17051	1	Key Set Honeywell (2)
	8	Self Tapping Screw #8 8x3/8, PFHD, 82D, Type-F Steel/Zinc
	3	Hex nut, 6-32 KEPS, Ext. L'Washer
	4	Hex nut 8-32 KEPS, Ext L'Washer
d1-004-050-010	2	Stud, slotted 1/4 turn
d1-004-000-010	2	Retainer 1/4 turn, D1 series
d1-004-912-010	2	Front Mount, 1/4 turn receptacle

Table 1 XLS-LSP Large Kit

Part Number	Quantity	Description
18927	1	HBS FS-90 Retrofit sheet metal plate mounting
18928	1	HBS FS-90 Retrofit bottom hinge bracket
18884	1	HBS FS-90 Retrofit top hinge bracket
18929	1	HBS FS-90 Retrofit sheet metal dress panel, large standard
05315	1	HBS FS-90 Retrofit, large audio door standard
23429	1	HBS FS-90 Retrofit window door
30889	1	HBS FS-90 Retrofit overlay door
17059	1	Snap-in Lock, 3 Series
75072	2	Ground wire cable
17051	1	Key Set Honeywell (2)
	8	Self Tapping Screw #8 8x3/8, PFHD, 82D, Type-F Steel/Zinc
	3	Hex nut, 6-32 KEPS, Ext. L'Washer
	4	Hex nut 8-32 KEPS, Ext L'Washer
d1-004-050-010	2	Stud, slotted 1/4 turn
d1-004-000-010	2	Retainer 1/4 turn, D1 series
d1-004-912-010	2	Front Mount, 1/4 turn receptacle

Table 2 XLS-LSPA Large Kit with Audio

Part Number	Quantity	Description
18968	1	HBS FS-90 Retrofit sheet small metal plate mounting
18928	1	HBS FS-90 Retrofit bottom hinge bracket
18884	1	HBS FS-90 Retrofit top hinge bracket
18970	1	HBS FS-90 Retrofit sheet metal dress panel, small standard
05322	1	HBS FS-90 Retrofit, small door standard
23435	1	HBS FS-90 Retrofit, single row window
30889	1	HBS FS-90 Retrofit, overlay door
17059	1	Snap-in Lock, 3 Series
17051	1	Key Set Honeywell (2)
75072	2	Ground wire cable
	4	Self Tapping Screw #8 8x3/8, PFHD, 82D, Type-F Steel/Zinc
	3	Hex nut, 6-32 KEPS, Ext. L'Washer
	3	Hex nut 8-32 KEPS, Ext L'Washer
d1-004-050-010	2	Stud, slotted 1/4 turn
d1-004-000-010	2	Retainer 1/4 turn, D1 series
d1-004-912-010	2	Front Mount, 1/4 turn receptacle

Table 3 XLS-SSP Small Kit

Automation and Control Solutions

Honeywell International Inc.
1985 Douglas Drive North
Golden Valley, MN 55422
customer.honeywell.com

Honeywell Limited-Honeywell Limitée
35 Dynamic Drive
Scarborough, Ontario M1V 4Z9

© U.S. Registered Trademark
© 2005 Honeywell International Inc.
95-7793-1 A1. Rev. 06-11

Honeywell