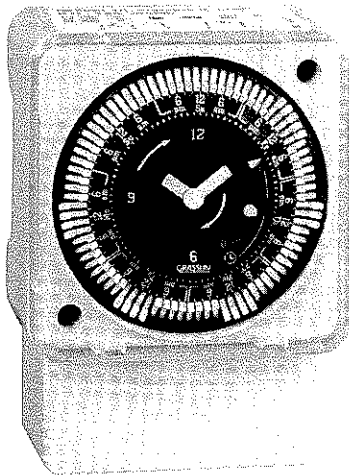


ST6008 A, B, C Energy Management Timers 24 HOUR OR 7 DAY TIME SWITCHES

INSTALLATION INSTRUCTIONS



APPLICATION

Time based control of lighting, ventilating, heating, cooling or other electrical loads in commercial and industrial applications. The ST6008 time switches are available with 24-hour or 7-day program dial and have a single pole/double throw switch.

The ST6008 series is intended for surface or DIN rail mounting. The control is completely enclosed in a plastic housing and includes a terminal cover and sub-base for installation and hard wiring.

A NEMA 1 indoor enclosure (Honeywell Part No. 209534) or NEMA 3R outdoor enclosure (Part No. 209535) are available for the ST6008.

MODELS

ST6008A1006 24-hour with synchronous drive
ST6008B1005 7-day with synchronous drive
ST6008C1004 7-day with quartz drive and battery backup

TECHNICAL DATA

Supply Voltage: 120, 60Hz
Quartz: 120VAC, 50/60 Hz

Switch Type: SPDT

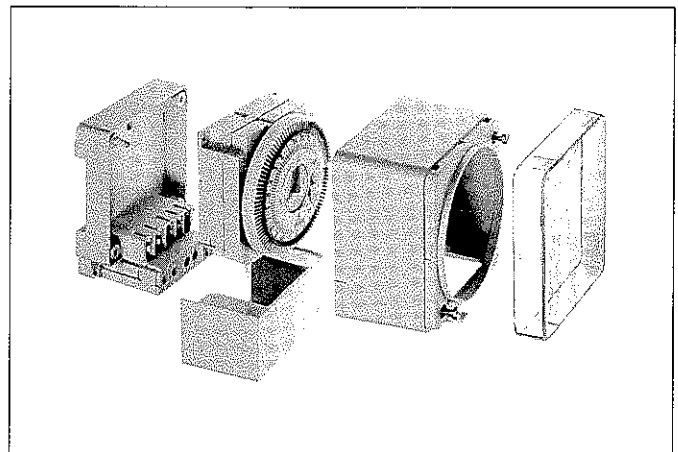
Switch Rating: 21A/250VAC resistive
1350 watt tungsten
1HP @ 120VAC
2HP @ 240VAC
16 FLA, 96 LRA, 120VAC ind.
12 FLA, 72 LRA, 240VAC ind.

Power Consumption: 0.5VA

Ambient

Temperature Range: -40°F to 180°F, synchronous units
-14°F to 131°F, quartz units

Reserve Carryover: 150 hours for quartz units
UL Recognized and CSA Certified



INSTALLATION

To the installer:

1. Read operating instructions carefully.
2. Check the input and output ratings marked on the unit to make sure this product is suitable for your power supply and application.
3. Disconnect power supply prior to installation to prevent electrical shock.
4. Wire in accordance with National and Local electrical code requirements.

The ST6008 time switch can be surface or DIN rail mounted.

Surface Mounting

Remove dust-proof cover, loosen two screws on opposite corners. Remove the housing that surrounds the time switch and lift the terminal cover away from the base.

Place screw through pre-set holes in base and screw to back panel or wall.

Wire in accordance with instructions. Depending upon the specific installation, you may find it more convenient to have wiring completed before attaching the base. Replace terminal cover and push timer firmly onto plug-in base. Now replace housing and secure with screws.

NOTE: The ST6008 may also be DIN rail mounted—simply break out housing part that fits over rail on each side.

Wiring

1. Disconnect power to avoid electrical shock or damage to equipment.
2. Wire according to the proper voltage marked on the unit. Wiring to incorrect voltage will void the warranty.
3. Connect wiring according to the wiring diagram. The terminals on the ST6008 sub-base will accommodate 10 to 24 AWG wire.

PROGRAMMING

The weekly program dial shows the seven days of the week and AM/PM imprints for each day. The 24-hour dial has quarter-hour divisions and AM/PM indications.

The time switch is set by pushing the captive trippers to the outer ring position for the entire period that the load is to be turned ON, i.e., fifteen minutes for each tripper on the 24-hour dial and 2 hours for each tripper on the 7-day dial. When the tripper is pushed to the inside, the switch is in the OFF position.

SETTING THE TIME

ROTATE THE DIAL BY TURNING THE MINUTE HAND CLOCKWISE ONLY.

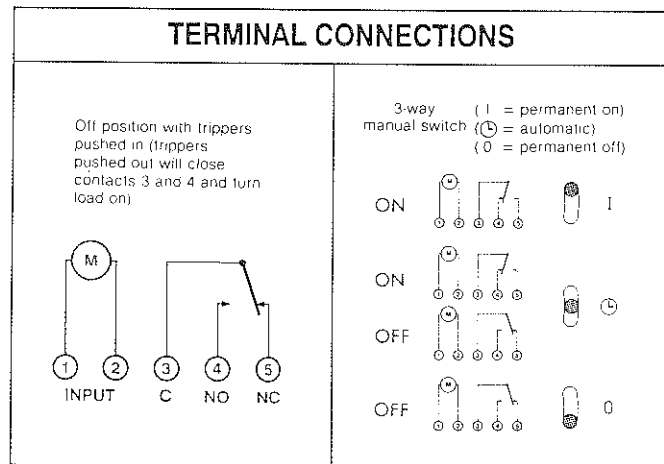
Turn the minute hand clockwise until the day of the week (7-day timer) and the time of day on the outer dial is aligned with the triangle marker on the inner dial (two o'clock position).

Example for 7-day program dial Monday 10:30 AM. Turn the minute hand clockwise until Monday 10:30 AM is aligned with the triangle on the inner dial. The hour and minute hand will show exactly 10:30.

Example for 24-hour program dial 10:30 AM. Turn the minute hand clockwise until 10:30 AM is aligned with the triangle on the inner dial. The hour and the minute dial will show exactly 10:30.

MANUAL OVERRIDE

All ST6008 units have an optional 3-way manual override. See terminal connections below.



Home and Building Control

Honeywell Inc.
Honeywell Plaza
P.O. Box 524
Minneapolis, MN 55408-0524

69-1038 2-97 Printed in U.S.A.

Home and Building Control

Honeywell Limited-Honeywell Limitée
155 Gordon Baker Road
North York, Ontario
M2H 2C9

Honeywell

Helping You Control Your World®

By using this Honeywell literature, you agree that Honeywell will have no liability for any damages arising out of your use or modification to, the literature. You will defend and indemnify Honeywell, its affiliates and subsidiaries, from and against any liability, cost, or damages, including attorneys' fees, arising out of, or resulting from, any modification to the literature by you.