

PRO3200

Output Module (PRO32OUT)

Installation Guide

Copyright© 2013 Honeywell. All rights reserved.

All product and brand names are the service marks, trademarks, registered trademarks, or registered service marks of their respective owners. Printed in the United States of America. Honeywell reserves the right to change any information in this document at any time without prior notice.

WIN-PAK® is a trademark of Honeywell International, Inc.

Ordering Information

Please contact your local Honeywell representative or visit us on the web at www.honeywelaccess.com for information about ordering.

Feedback

Honeywell appreciates your comments about this manual. Please visit us on the web at www.honeywelaccess.com to post your comments.

CONTENTS



Notices

Warnings and Cautions.....	1
Disclaimer.....	2
Compliance.....	3
Unpacking Procedure.....	3
Shipping Instructions.....	4
Limited Warranty.....	4
Confidentiality.....	5

Installing the PRO3200 Output Module

Description.....	7
Specification.....	7
Set Up.....	8
LED Operation.....	10
Power.....	11
Communications.....	11
Wiring.....	12
Mounting Options.....	13
Installing the Module.....	13
Wiring Diagram for Connectors 1 through 8.....	14
Wiring Diagram for Connectors 7 through 10.....	15

(This page is left blank intentionally for double-sided printing.)

Notices

Warnings and Cautions



Warning

Before installation, **TURN OFF** the external circuit breaker which supplies power to the system.

Before connecting the device to the power supply, verify that the output voltage is within specifications of the power supply.

Do not apply power to the system until **after** the installation has been completed. Personal injury or death could occur, and the equipment could be damaged beyond repair, if this precaution is not observed!



Warning: Fire Safety and Liability Notice

Never connect card readers to any critical entry, exit door, barrier, elevator, or gate without providing **an alternative exit** in accordance with all fire and life safety codes pertinent to the installation. These fire and safety codes vary from city to city and you must get approval from local fire officials whenever using an electronic product to control a door or other barrier. Use of egress buttons, for example, may be illegal in some cities. In most applications, single action exit without prior knowledge of what to do is a life safety requirement. Always make certain that any required approvals are obtained in writing. **DO NOT ACCEPT VERBAL APPROVALS, BECAUSE THEY ARE NOT VALID.**

Honeywell never recommends using the PRO3200 or related products for use as a primary warning or monitoring system. Primary warning or monitoring systems should always meet local fire and safety code requirements. The installer must also test the system on a regular basis by instructing the end user in appropriate daily testing procedures. Failure to test a system regularly could make the installer liable for damages to the end user if a problem occurs.



Note: See the Remote Enclosure Installation manuals PRO22ENC1, PRO22ENC2, PRO22ENC3 or PRO22ENC5 for installation instructions.



Warning:

EARTH ground all enclosures for proper installation.



Warning:

Use suppressors on all door strikes. Use S-4 suppressors for installation. Honeywell recommends only DC strikes.



Warning: For UL Installations:

- Wiring methods shall be in accordance with the National Electrical Code (ANSI/NFPA70).
- All interconnecting devices must be UL Listed.
- Not Evaluated by UL for fire, life safety, or burglary applications.

- Do Not Connect To A Receptacle Controlled By A Switch.
- All interconnecting wire must be UL/ULC Listed, rated and suitable for the use.



Caution:

IF ANY DAMAGE TO THE SHIPMENT IS NOTICED, A CLAIM MUST BE FILED WITH THE COMMERCIAL CARRIER RESPONSIBLE.

Caution:



Electrostatic discharge can damage CMOS integrated circuits and modules. To prevent damage, always follow these procedures:

- Use static shield packaging and containers to transport all electronic components, including completed reader assemblies.
- Handle all ESD sensitive components at an approved static-controlled workstation. These workstations consist of a desk mat, a floor mat, and an ESD wrist strap. Workstations are available from various vendors.



Note: This equipment has been tested and found to comply with the limits for a Class A digital device, pursuant to part 15 of the FCC Rules. These limits are designed to provide reasonable protection against harmful interference when the equipment is operated in a commercial environment. This equipment generates, uses, and can radiate radio frequency energy and, if not installed and used in accordance with the instruction manual, may cause harmful interference to radio communications. Operation of this equipment in a residential area is likely to cause harmful interference, in which case the user will be required to correct the interference at his own expense.



Note: This document and the data in it shall not be duplicated, used, or disclosed to others for procurement or manufacture, except as authorized by and with the written permission of, Honeywell, Inc. The information contained in this document or in the product itself is considered the exclusive property and trade secrets of Honeywell, Inc. Copyright laws of the United States protect all information in this document or in the software product itself.



Note: Any use of this product is subject to the terms and acceptance of the Honeywell, Inc. Software Agreement. Please request a copy from Honeywell, Inc., and review the agreement carefully.

Disclaimer

Product Liability; Mutual Indemnification

In the event that a Customer receives a claim that a Product or any component thereof has caused personal injury or damage to property of others, Customer shall immediately notify Honeywell in writing of all such claims. Honeywell shall defend or settle such claims and shall indemnify and hold Customer harmless for any costs or damages including reasonable attorneys' fees which Customer may be required to pay as a result of the defective Product or the negligence of Honeywell, its agents, or its employees.

Customer shall hold harmless and indemnify Honeywell from and against all claims, demands, losses, and liability arising out of damage to property or injury to persons occasioned by or in connection with the acts or omissions of Customer and its agents and employees, and from and against all claims, demands, losses, and liability for costs of fees, including reasonable attorneys' fees, in connection therewith.

Compliance

To obtain applicable EU compliance Declaration of Conformities for this product, please refer to our website, <http://www.security.honeywell.com/hsce/international/index.html>. For any additional information regarding the compliance of this product to any EU-specific requirements, please contact:

Honeywell Security & Communications
Honeywell Security - Quality Assurance Dept., Newhouse Industrial Estate
Motherwell
Lanarkshire ML1 5SB
Scotland
United Kingdom
Tel: +44(0) 1698 738200
Email: UK64Sales@Honeywell.com

Unpacking Procedure



Caution:

If any damage to the shipment is noticed before unpacking, a claim must be filed with the commercial carrier.

All containers should be opened and unpacked carefully in order to prevent damage to the contents.

The following steps are used to unpack equipment in preparation for installation:

1. Open the container and remove the unit(s) and all packing material. Retain the container and all packing materials. They may be used again for reshipment of the equipment, if needed.
2. Inspect the contents for shortage. If items are missing items, contact the order entry department at 800-323-4576.
3. Visually check contents. If damage is discovered, perform the following:
 - If shipping caused damage to the unit, a claim must be filed with the commercial carrier.
 - If any other defect is apparent, call for a return authorization.

Shipping Instructions

To ship equipment back to Honeywell, Inc.:

1. Contact the customer service department at 800-323-4576 before returning equipment. When you call please have available:
 - A description of the problem or reason you are returning the equipment.
 - Your original purchase order number, invoice number and if the unit is still under warranty.
 - A new purchase order number if the unit is not under warranty.
2. From the customer service department, obtain the Return Authorization Number (RMA).
3. Show the RMA number on all packages shipped. Packages which are not marked with an RMA number will be refused at the factory and returned to you **COD**.
4. Carefully pack the equipment for shipment. Use the original packing material whenever possible.

Limited Warranty

All Products sold or licensed by Honeywell include a warranty registration card which must be completed and returned to Honeywell by or on behalf of the end user in order for Honeywell to provide warranty service, repair, credit or exchange. All warranty work shall be handled through Customer which shall notify Honeywell and apply for a Return Merchandise Authorization (RMA) number prior to returning any Product for service, repair, credit, or exchange. Honeywell warrants that its Products shall be free from defects in materials and workmanship for a period of two years from date of shipment of the Product to Customer. The warranty on Terminals, Printers, Communications Products and Upgrade kits is 90 days from date of shipment. Satisfaction of this warranty shall be limited to repair or replacement of Products which are defective or defective under normal use. Honeywell's warranty shall not extend to any Product which, upon examination, is determined to be defective as a result of misuse, improper storage, incorrect installation, operation or maintenance, alteration, modification, accident or unusual deterioration of the Product due to physical environments in excess of the limits set forth in Product manuals. THERE ARE NO WARRANTIES WHICH EXTEND BEYOND THIS PROVISION. THIS WARRANTY IS IN LIEU OF ALL OTHER WARRANTIES WHETHER EXPRESS, IMPLIED OR STATUTORY, INCLUDING IMPLIED WARRANTIES OF MERCHANTABILITY OR FITNESS FOR ANY PARTICULAR PURPOSE. NO REPRESENTATION OR WARRANTY OF THE DISTRIBUTOR SHALL EXTEND THE LIABILITY OR RESPONSIBILITY OF THE MANUFACTURER BEYOND THE TERMS OF THIS PROVISION. IN NO EVENT SHALL HONEYWELL BE LIABLE FOR ANY RE-PROCUREMENT COSTS, LOSS OF PROFITS, LOSS OF USE, INCIDENTAL, CONSEQUENTIAL OR SPECIAL DAMAGES TO ANY PERSON RESULTING FROM THE USE OF HONEYWELL'S PRODUCTS.

Confidentiality

All software, drawings, diagrams, specifications, catalogs, literature, manuals and other materials furnished by Honeywell relating to the design, use and service of the Products shall remain confidential and shall constitute proprietary rights of Honeywell and Customer agrees to treat such information as confidential. Customer shall acquire no rights in the design of the Products or the related materials except to use such information solely for the purpose of and only during the time it sells the Products. Customer shall not copy the design of any of the Products or use or cause to be used any Product design or related materials for its own benefit or for the benefit of any other party. The covenants contained in this section shall remain effective throughout the term of this Agreement and thereafter unless specifically waived by Honeywell in writing.

(This page is left blank intentionally for double-sided printing.)

Installing the PRO3200 Output Module

Description

The Output Board provides connections for 16 relay outputs. You can either mount the board in a rack or open and flat. If you rack-mount the board, only one edge is accessible for wiring; however, a flat mount increases the amount of available I/O slightly but significantly decreases the number of boards that can be mounted in one enclosure.

Starting at the bottom of the rack-mount side of the board:

- The first connector provides power to the board.
- The next connector provides communication with the Controller (PRO22IC or PRO32IC).
- Continuing up this edge, the next six connectors provide 12 relay output connections.

When the board is mounted flat, four additional relay outputs and two dedicated inputs for cabinet tamper and power fault detection are provided on the opposite edge of the board.

All 16 form-C relay outputs are designed to handle dry-circuit signals. The two dedicated inputs are non-supervised. Communication to the control panel is accomplished via an RS-485 interface. This board requires 12 VDC input power.

When communication to the controller is lost, this board maintains all previous output settings at the time communication was lost.

Specification

The Output Board is for use in low voltage, class 2 circuits only.

Primary power:

10 to 14VDC 385mA maximum
12VDC @ 200mA nominal

Relay contacts:

Relays 0 through 15 outputs, Form-C, 2A @ 28VDC, resistive

Inputs:

Two unsupervised dedicated inputs

Communication:

RS-485 Range 9,600 to 38,400 bps

Wire requirements:

Power	1 twisted pair, 18AWG
RS-485	24AWG, 4,000 feet (1,200 m) max., 2 twisted pair with shield (120Ω, 23pF) (Belden 9842 or equiv.)
Inputs	1 twisted pair per input, 30 ohms max.
Outputs	As required for the load

Mechanical:

Dimension	5.5" (140 mm) W x 9" (229 mm) L x 1" (25 mm) H
Weight	12 oz. (340 g) nominal

Environment:

Temperature	0°C to +49°C, operating, -55°C to +85°C, storage
Humidity	0% to 85% RHNC

Set Up

Table 1: PRO3200 Output Module Jumper Setting

Jumper	Setting	Default	Selected
J1	OFF	*	Port 1 RS-485 EOL terminator is not active
	ON		Port 1 RS-485 EOL terminator is active

Table 2: PRO3200 Output Module DIP Switch Settings

S8	S7	S6	S5	S4	S3	S2	S1	Selection
			OFF	OFF	OFF	OFF	OFF	ADDRESS 0
			OFF	OFF	OFF	OFF	ON	ADDRESS 1*
			OFF	OFF	OFF	ON	OFF	ADDRESS 2
			OFF	OFF	OFF	ON	ON	ADDRESS 3
			OFF	OFF	ON	OFF	OFF	ADDRESS 4

Table 2: PRO3200 Output Module DIP Switch Settings (continued)

S8	S7	S6	S5	S4	S3	S2	S1	Selection
			OFF	OFF	ON	OFF	ON	ADDRESS 5
			OFF	OFF	ON	ON	OFF	ADDRESS 6
			OFF	OFF	ON	ON	ON	ADDRESS 7
			OFF	ON	OFF	OFF	OFF	ADDRESS 8
			OFF	ON	OFF	OFF	ON	ADDRESS 9
			OFF	ON	OFF	ON	OFF	ADDRESS 10
			OFF	ON	OFF	ON	ON	ADDRESS 11
			OFF	ON	ON	OFF	OFF	ADDRESS 12
			OFF	ON	ON	OFF	ON	ADDRESS 13
			OFF	ON	ON	ON	OFF	ADDRESS 14
			OFF	ON	ON	ON	ON	ADDRESS 15
	OFF	OFF						Reserved
	OFF	ON						9,600 BPS
	ON	OFF						19,200 BPS
	ON	ON						38,400 BPS*
OFF								Not Used*

* = Default

LED Operation

The Output Board uses two onboard LEDs to provide status information during the power-up sequence and during normal operation.

Table 3: LED Settings

Mode	LED D1	LED D2	Description
Power-up sequence	ON	OFF	Start power-up, hardware setup
	OFF	ON	Testing RAM
	ON	ON	Testing ROM and completing initialization
	FLASH	ON	LED D1 flashes 4 times after power-up is completed
Normal Operation	FLASH		This is the processor heartbeat LED. It flashes once every second. A short ON time (~20% duty cycle) indicates the board is offline or has lost serial communication with the Controller board. A long ON time (~80% duty cycle) indicates the board is online and communicating with the Controller board.
		FLASH	Flash when there is activity on its Serial Port.

In addition to the status LEDs, there are 16 additional LEDs on board for relay status. When any relay is energized or ON, its corresponding status LED turns ON also. The LED remains ON for as long as the relay is energized. The assignment for each relay status LED is shown in the following table.

Table 4: Relay LEDs: 0-7

RELAY #	0	1	2	3	4	5	6	7
LED	D5	D6	D7	D8	D9	D10	D11	D12

Table 5: Relay LEDs: 8-15

RELAY #	8	9	10	11	12	13	14	15
LED	D13	D14	D15	D16	D17	D18	D19	D20

The following table lists the LEDs D1 through D4.

Table 6: LEDs 1-4

LED number	Description
D1	Start power-up, hardware setup
D2	Testing RAM
D3	Tamper
D4	Power

Power

The Output Board accepts 12VDC with an operating range of 10 to 14VDC and consumes 385mA of current. Locate the power source as close to this board as possible. Connect power with minimum of 18AWG cables.



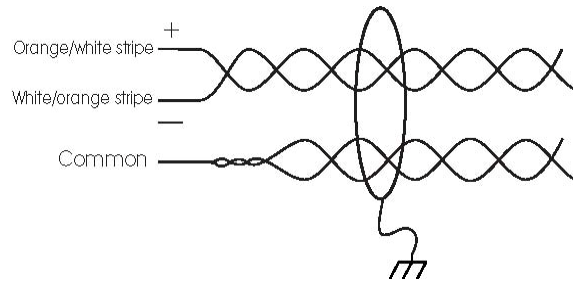
Note: POLARITY for 12VDC power is important. Make sure the +12 VDC is connected to the terminal labeled +12V and the return is connected to the terminal labeled GND.

Communications

The Output Board communicates to the host controller through an RS-485 interface. The interface allows for multi-drop communication of up to 4,000 feet (1,200 m) total per port. Use two twisted pair (minimum 24AWG) with shield (Belden 9842 or equiv.) for communication. The default speed of this port is 38.4Kbps but it can be downgraded to 19.2Kbps or 9.6Kbps if the line conditions or receiving equipment require it (see [Table 1](#) on page 3 for jumper settings and [Table 2](#) on page 3 for DIP switch settings).

For wiring to an RS-485 port:

1. TR+ is the plus side of the transmit and receive differential signal.
2. TR- is the negative side of the transmit and receive differential signal.
3. GND is the signal ground. The wiring for this signal is required and **NOT** optional. This signal must **NOT** be connected to chassis GND.
4. Use 24 AWG low capacitance, two twisted-pair, shielded cable (Belden 9842 or equiv.).



Note: For RS-485 Communication Connections, twist the blue pair together and use as the common; use the orange pair as your data pair, observing polarity. Connect the external drain shield to the appropriate earth ground on one end.

5. When daisy-chaining RS-485 ports together, connect the TR+ wires from the upstream and downstream boards to the TR+ terminal. Likewise, connect the TR- wires from the upstream and downstream boards to the TR- terminal.

By factory default J1 is set open. If this board is the last board on the RS-485 bus, install jumper J1 across both pins (closed). Closing J1 provides the bus termination required.

Wiring

This section provides input wiring and control output wiring information.

Input Wiring

Inputs TMP and PFL are typically used for monitoring cabinet tamper and power failure respectively. These two inputs are not supervised and are not accessible when the board is rack-mounted. These inputs are used when this board is mounted remotely and cannot take advantage of the tamper and power fail detect inputs on the Controller board. If these inputs are not used, install a short piece of wire at the input to indicate safe condition.

Control Output Wiring

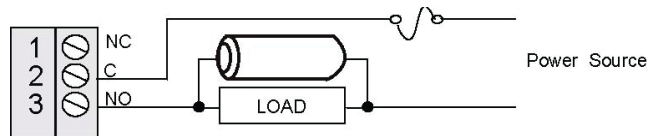
Sixteen form-C relay contacts are provided as general-purpose outputs. They are configurable as standard (energize to activate) or fail-safe (de-energize to activate) by the host software.

The energized or ON time of each relay can be configured using pulse control for single or repeating pulses via the host software. The energized or ON time of a single pulse can be extended up to 24 hours. For repeating pulses, the on/off time can be defined in 0.1 second increments and be repeated up to 255 times.

All 16 relays are rated for dry contact signal or load switching. While they are sized to handle typical loads, load switching can cause abnormal contact wear and premature

contact failure. Switching of inductive loads (e.g., strikes) also causes EMI (electromagnetic interference) which may interfere with normal operation of other equipment. To minimize premature contact failure and to increase system reliability, a contact protection circuit is recommended. The following two circuits are suggested. Locate the protection circuit as close to the load as possible (within 12 inches [30cm]); the effectiveness of the circuit decreases as the distance from the load increases.

Relays 12 through 15 are general purpose relay outputs and are not available when the board is rack-mounted.



Use sufficiently large gauge of wires for the load current to avoid voltage loss.

Mounting Options

This board can be mounted on-edge in the rack-mount enclosure provided by Honeywell, or it can be mounted flat against any surface using standoffs under the mounting holes provided in each of the four corners of this board.

When this board is rack-mounted, the connectors for four general-purpose outputs and two dedicated inputs are not accessible and should not be used.

The most likely reason for mounting a board flat is that it is being installed remotely to be located near the door(s) being monitored. In this case, mount it in its own enclosure. Use the two dedicated inputs to monitor cabinet tamper and power fault. The four additional general-purpose outputs allow for control of local horns or other equipment.

Installing the Module

1. Set Jumpers and DIP switches.
2. Mount this board in the appropriate enclosure. If this board is being mounted in a rack, the component side of the board is to your right as you face the rack.
3. Connect the communications and power supply to the circuit boards with the Power Supply Harness.

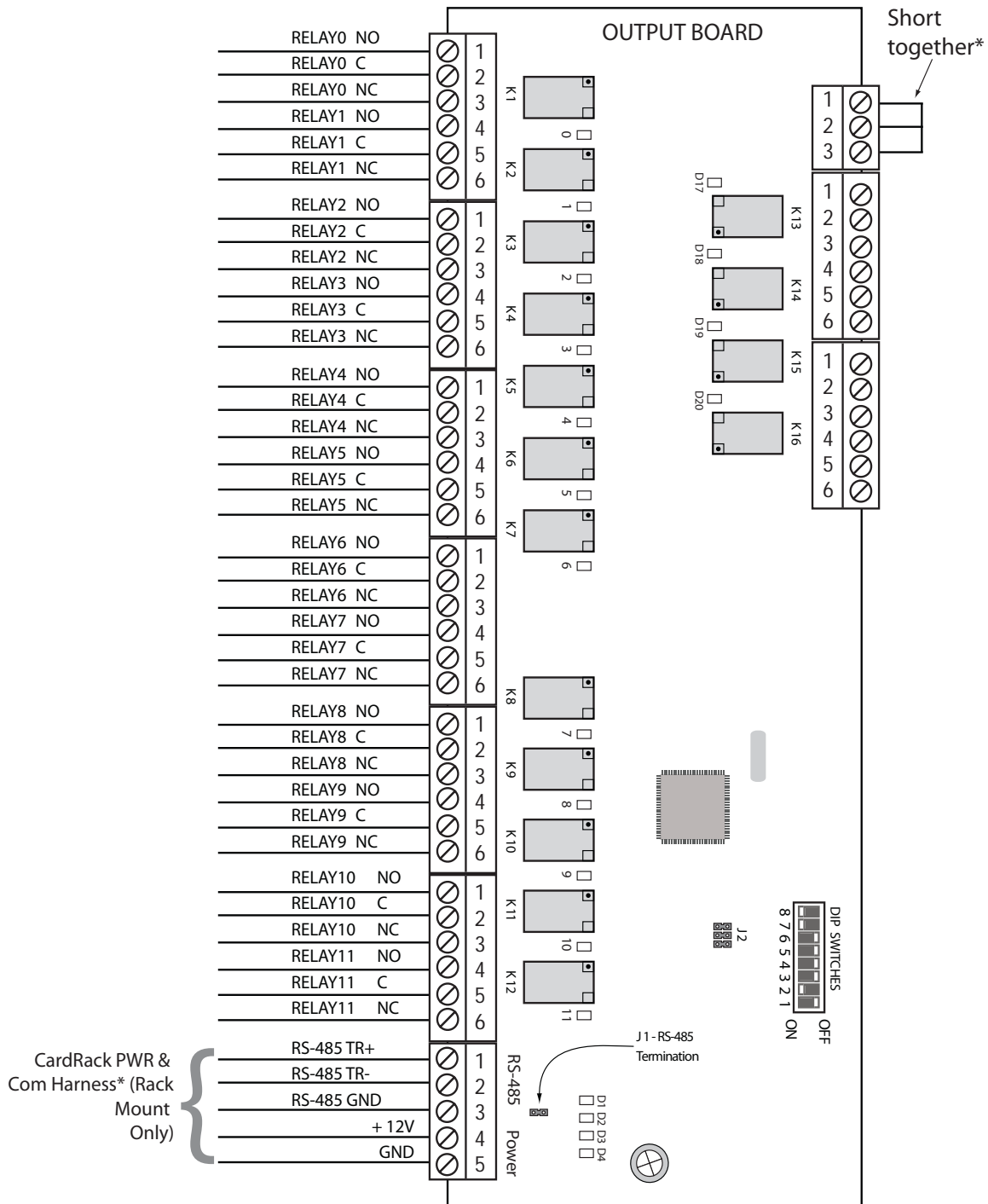


Warning: DO NOT CONNECT THE POWER SUPPLY TO THE AC SOCKET UNTIL ALL WIRING HAS BEEN INSTALLED AND RECHECKED.

4. Connect wiring to input sensors or install jumper wire as appropriate.
5. Connect relay output wiring as appropriate.
6. Connect communications wiring to the Intelligent Controller.
7. Recheck wiring for correct connections and continuity.
8. When all boards have been installed, connect the power supply cord for proper connections and power.
9. Set up the panel controls using the host software.

Wiring Diagram for Connectors 1 through 8

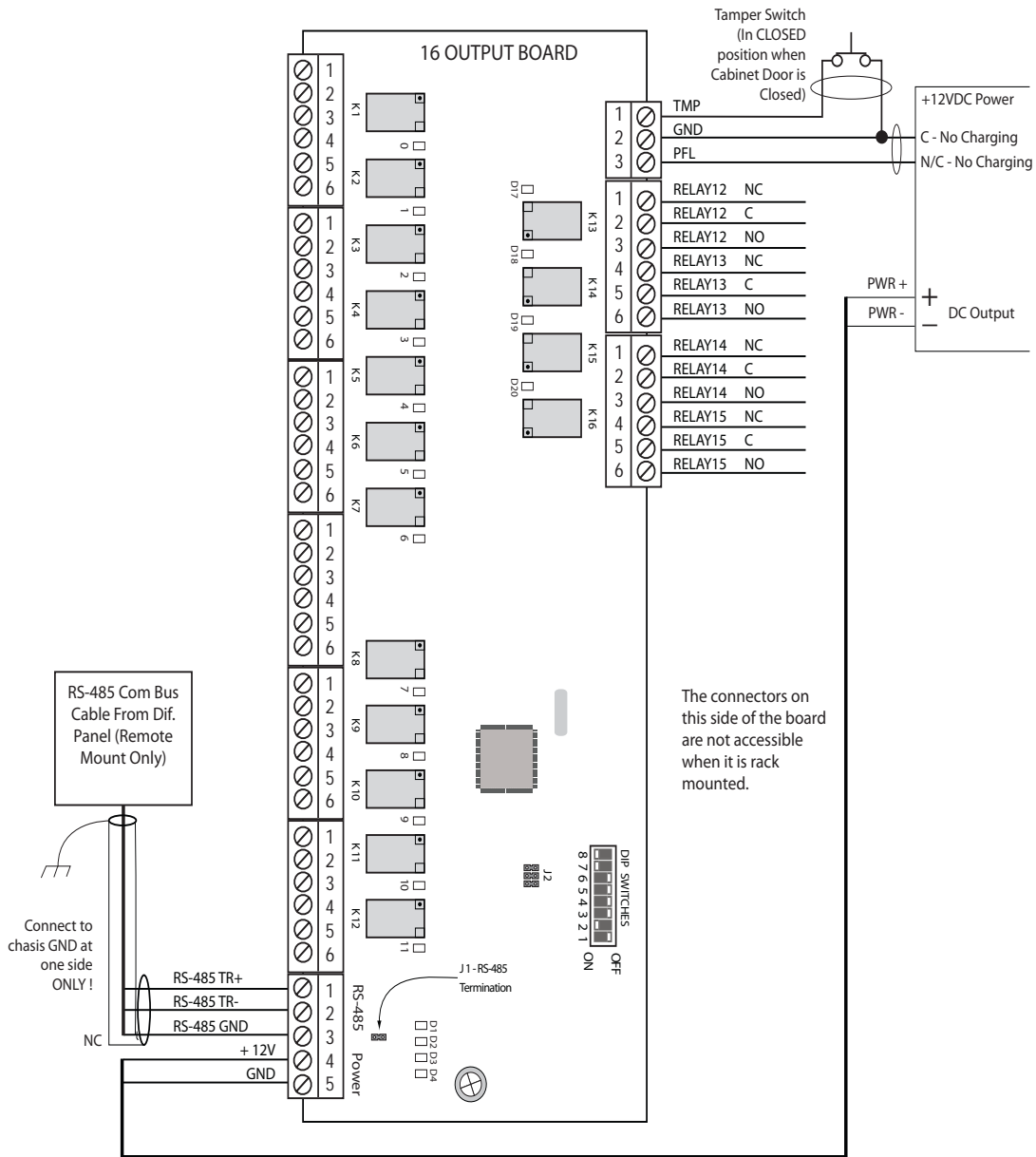
Figure 1: PRO3200 Output Module Wiring: Connectors 1-8



* Rack Mount Configuration

Wiring Diagram for Connectors 7 through 10

Figure 2: PRO3200 Output Module: Connectors 7-10



Note: For RS-485 Communication Connections, twist the blue pair together and use as the common; use the orange pair as your data pair, observing polarity. Connect the external drain shield to the appropriate earth ground on one end.

(This page is left blank intentionally for double-sided printing.)

Honeywell Access Systems

135 W. Forest Hill Avenue

Oak Creek, WI 53154

United States

800-323-4576

414-766-1798 Fax

www.honeywellaccess.com

Specifications subject to change
without notice.

© 2013 Honeywell. All rights reserved.
Document 800-15465

Honeywell