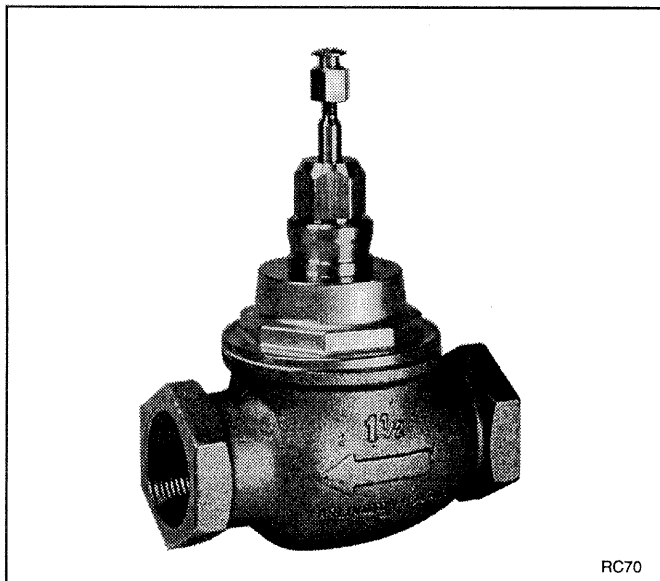


## V5011A, B, D-H, J Single Seated Valves

### INSTALLATION INSTRUCTIONS



### BEFORE INSTALLATION

Leave clearance above bonnet face to install pneumatic actuator (Fig. 3) or linkage and motor (Fig. 4 and 5) and to allow removal of the valve body for servicing. (Table 1 lists valve dimensions.)

Do not install the valve with the stem below the horizontal. Scale and foreign material collect and tend to score the stem and cause packing leakage.

Protect the stem from damage due to bending or scratching.

Screwed body threads conform to American Standard Taper Pipe Threads (NPT) and flanged bodies conform to the American Standard for Cast-Iron Pipe Flanges and Flanged Fittings.

### INSTALLATION

#### Installation Sequence

#### CAUTION

Install the valve with the fluid flow in the direction of the arrow cast on the valve body.

First install the valve body in the pipe line, then attach and adjust the linkage and motor or pneumatic actuator if it was not previously attached. Detailed instructions for installation of the linkage and motor or pneumatic actuator are furnished separately with the specific equipment.

#### Screwed Valve Bodies

Line up the pipes squarely with the valve at each end connection. If the pipes are forced into the valve, the body may twist and seat improperly. See Figure 1.

Take care to prevent pipe chips, scale, etc., from entering the piping. This material could lodge in the seat and prevent proper closing.

PIPE SIZE INCHES	EFFECTIVE LENGTH OF THREADS INCHES (mm)
1/2	1/2 (13)
3/4	9/16 (14)
1	11/16 (17)
1-1/4	11/16 (17)
1-1/2	11/16 (17)
2	3/4 (19)
2-1/2	15/16 (24)
3	1 (25)

1. REAM AND CLEAN PIPE. APPLY MODERATE AMOUNT OF DOPE.

2. TO PREVENT TWIST OR SQUEEZE ON VALVE BODY:

HOLD VALVE IN VISE ON END NEAREST PIPE, AND TIGHTEN PIPE WITH A PIPE WRENCH **OR** HOLD PIPE IN VISE, AND TIGHTEN VALVE WITH A PIPE WRENCH ON END NEAREST PIPE

Fig. 1. Screwed Body Valve Installation.

S23011

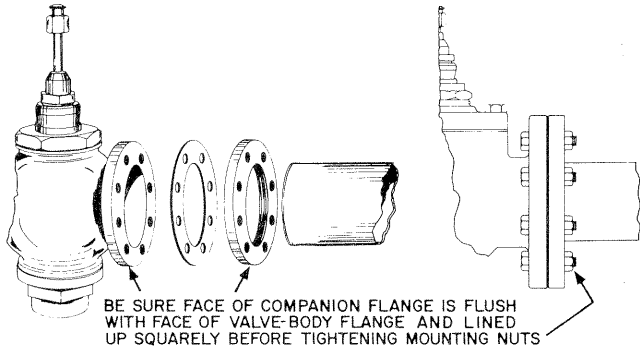


## Flanged Valve Bodies

The V5011A & B flanges are flat faced with a smooth finish. The V5011D & E (ANSI Class 250 psi bodies) flanges have raised face rings. Companion flanges must be of the same specifications. See Figure 2.

Mounting bolts must be long enough so nuts can use the full length of the nut threads. Use bolts 1/8 in. smaller than the diameter of the bolt hole to allow clearance for installing.

To prevent leakage, use a gasket material recommended for the medium to be handled.



S5876-1

Fig. 2. Flanged Body Valve Installation.

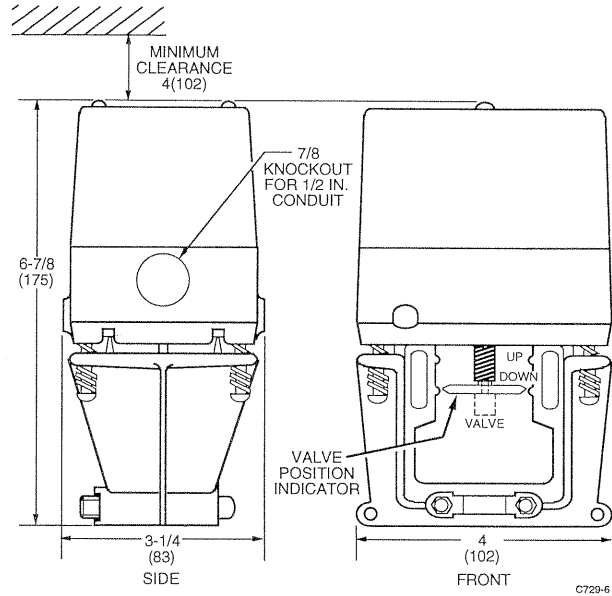
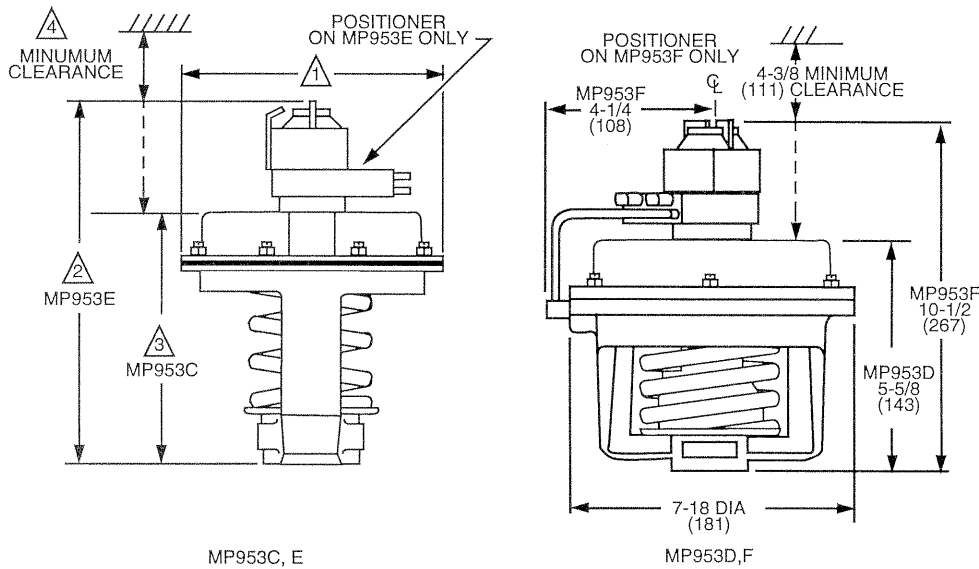


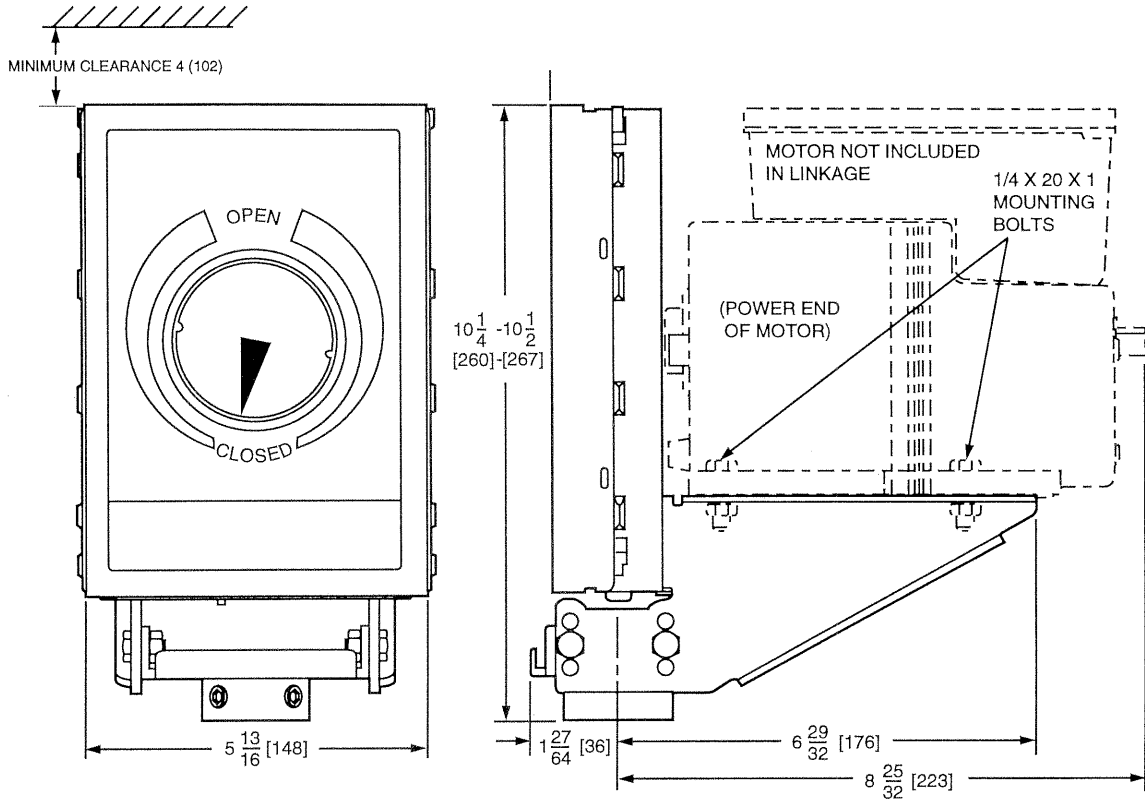
Fig. 4. Versadrive Actuator Dimensions in Inches (Millimeters).



OPERATION SIZE NOMINAL DIA	①	②	③	④
5-INCH	5-1/8 (130)	9-1/4 (235)	4-5/8 (117)	4-3/8 (111)
8-INCH	8-1/4 (210)	11-1/8 (283)	6-1/2 (165)	5-3/8 (137)
13-INCH	13-1/2 (343)	18-1/8 (460)	10 (254)	7-11/16 (195)

C7963

Fig. 3. MP953C-F Pneumatic Actuator Dimensions in Inches (Millimeters).

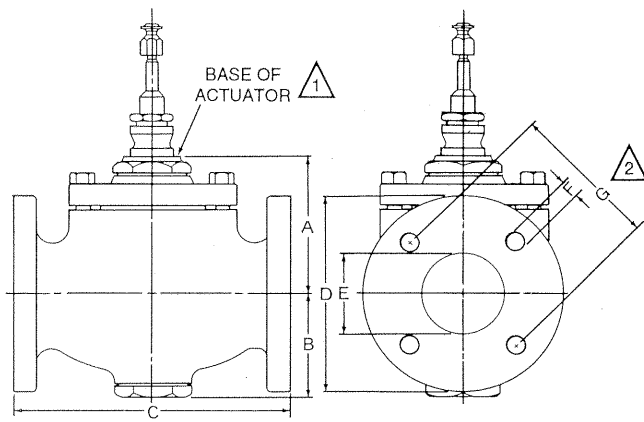


C7807

Fig. 5. Q5001 Linkage with High-Torque-Firing-Return Modutrol IV Motor Dimensions in Inches (Millimeters).

Table 1. V5011 Approximate Dimensions in Inches (Millimeters).

Model and Figure Reference	Valve Size (in.)	A	B	C	D	E	F	G	No. of Flange Bolt Holes
V5011A Flanged, Direct Body (Fig. 8)	2-1/2	4-13/16 (122)	4 (102)	9-1/2 (241)	7 (178)	2-1/2 (64)	3/4 (18)	5-1/2 (140)	4
	3	5-3/8 (137)	4-5/8 (117)	11 (279)	7-1/2 (190)	3 (76)	3/4 (18)	6 (152)	4
	4	7-9/16 (192)	5-3/16 (132)	13 (330)	9 (229)	4 (102)	3/4 (18)	7-1/2 (191)	8
	5	7 (178)	6-1/8 (156)	15 (381)	10 (254)	5 (127)	7/8 (22)	8-1/2 (216)	8
	6	8 (203)	7-1/16 (179)	16-1/2 (419)	11 (279)	6 (152)	7/8 (22)	9-1/2 (241)	8
V5011E Flanged, Reverse Body (Fig. 9)	4	4-11/16 (119)	8-1/16 (205)	13 (330)	9 (229)	4 (102)	3/4 (18)	7-1/2 (191)	8
	5	5-5/8 (143)	7-1/2 (191)	15 (381)	10 (254)	5 (127)	7/8 (22)	8-1/2 (216)	8
	6	6-9/16 (167)	8-1/2 (216)	16-1/2 (419)	11 (279)	6 (152)	7/8 (22)	9-1/2 (241)	8
V5011D Flanged, Direct Body (Fig. 8)	2-1/2	4-13/16 (122)	3-3/4 (95)	11-1/2 (292)	7-1/2 (178)	2-1/2 (64)	7/8 (22)	5-7/8 (149)	8
	3	5-3/8 (137)	4-1/4 (108)	12-1/2 (318)	8-1/4 (210)	3 (76)	7/8 (22)	6-5/8 (168)	8
	4	7-9/16 (192)	5 (127)	14-1/2 (369)	10 (254)	4 (102)	7/8 (22)	7-7/8 (200)	8
	5	7 (178)	5-1/2 (140)	16-3/4 (425)	11 (279)	5 (127)	7/8 (22)	9-1/4 (235)	8
	6	8 (203)	6-1/4 (159)	18-5/8 (473)	12-1/2 (318)	6 (152)	7/8 (22)	10-5/8 (270)	12
V5011B Flanged, Reverse Body (Fig. 9)	4	4-3/4 (121)	7-5/16 (186)	14-1/2 (369)	10 (254)	4 (102)	7/8 (22)	7-7/8 (200)	8
	5	5-3/4 (146)	6-3/4 (171)	16-3/4 (425)	11 (279)	5 (127)	7/8 (22)	9-1/4 (235)	8
	6	6-11/16 (170)	7-7/8 (200)	18-5/8 (473)	12-1/2 (318)	6 (152)	7/8 (22)	10-5/8 (270)	12
V5011F & G Screwed, Direct Body (Fig. 8)	1/2	2 (51)	1-3/4 (44)	3-3/8 (86)	—	2 (51)	—	—	—
	3/4	1-3/4 (44)	1-3/4 (44)	3-3/8 (86)	—	2 (51)	—	—	—
	1	1-7/8 (48)	1-3/4 (44)	4-1/4 (108)	—	2-1/8 (54)	—	—	—
	1-1/4	2 (51)	1-5/8 (41)	4-7/8 (124)	—	2-3/4 (70)	—	—	—
	1-1/2	2-7/8 (73)	1-5/8 (41)	5-5/8 (143)	—	3-1/2 (89)	—	—	—
	2	3-1/8 (79)	2 (51)	5-5/8 (143)	—	3-1/2 (89)	—	—	—
	2-1/2	2-3/4 (70)	2-3/8 (60)	7-1/2 (191)	—	4-3/8 (111)	—	—	—
3	3-1/8 (79)	2-5/8 (67)	8-7/8 (225)	—	5-1/8 (130)	—	—	—	
V5011H & J Screwed, Reverse Body (Fig. 9)	1/2	1-3/4 (44)	2-1/4 (57)	3-1/2 (89)	—	—	—	—	—
	3/4	1-3/4 (44)	2-1/4 (57)	3-3/8 (86)	—	—	—	—	—
	1	1-7/8 (48)	2-5/16 (59)	3-7/8 (98)	—	—	—	—	—
	1-1/4	2 (51)	2-3/16 (56)	4-1/4 (108)	—	—	—	—	—

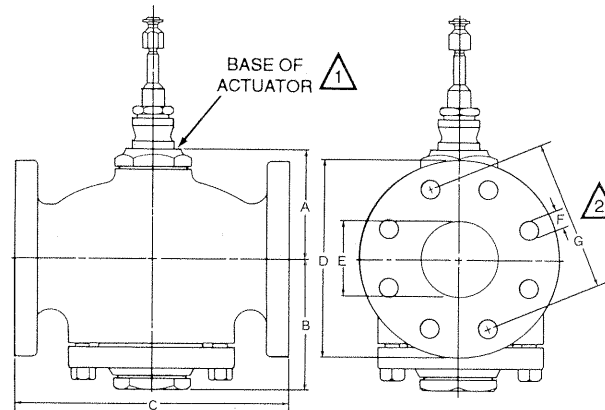


VALVE SIZE IN. (MM)	BONNET SIZE IN. (MM)—DIA
2-1/2 (64) & 3 (76)	1-3/8 (35)
4 (102), 5 (125), & 6 (152)	1-7/8 (48)

2 SEE TABLE FOR ACTUAL NUMBER OF BOLT HOLES.  
ONLY 2-1/2 IN. AND 3 IN. V5011A HAVE FOUR FLANGE HOLES.

S5634-1

Fig. 6. V5011A and D Flanged Body Dimensions.

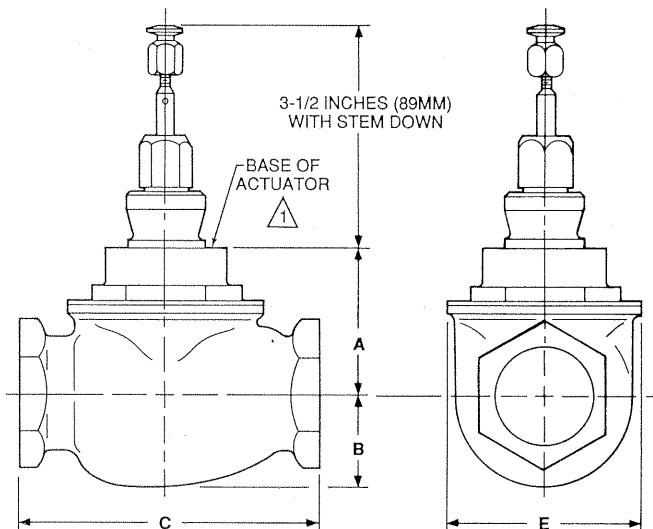


1 1-7/8 IN. (48 MM) DIA BONNET SIZE

2 SEE TABLE FOR ACTUAL NUMBER OF BOLT HOLES

S8404-3

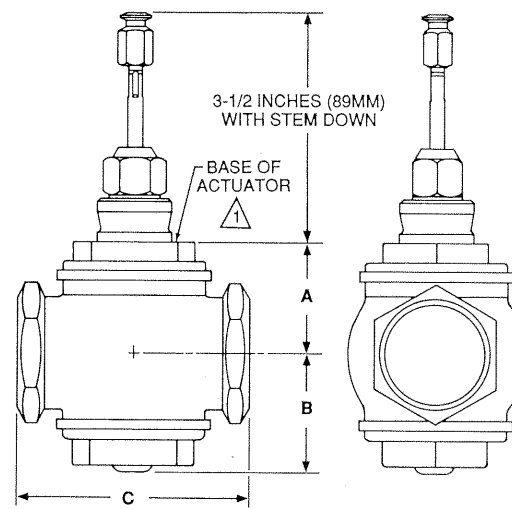
Fig. 7. V5011B and E Flanged Body Dimensions.



1 1-3/8 IN. (35 MM) DIA BONNET SIZE

S5622-7

Fig. 8. V5011F and G Screwed, Direct Acting Body Dimensions.



1 1-3/8 IN. (35 MM) DIA BONNET SIZE

S23219-3

Fig. 9. V5011H and J Screwed, Reverse Acting Body Dimensions Inches (Millimeters).

**Honeywell**

Home and Building Control  
Honeywell Inc.  
Honeywell Plaza  
P.O. Box 524  
Minneapolis, MN 55408-0524

Home and Building Control  
Honeywell Limited-Honeywell Limitée  
740 Ellesmere Road  
Scarborough, Ontario  
M1P 2V9

Helping You Control Your World