

STAT GUARD (14002430-001)

Installation Instructions

BEFORE INSTALLATION, NOTE:

The stat guard is designed to mount over pneumatic wall boxes and electrical boxes having adapter plates. The screws that are normally used to mount the stat are also the primary means of mounting the guard base and pulling the adhesive backing against the mounting surface. **DO NOT TIGHTEN THE MOUNTING SCREWS ENOUGH, TO COMPRESS THE STANDOFF BUTTONS, UNTIL ALL PARTS ARE ALIGNED AND PLUMB.** Contact of the adhesive backing to the mounting surface could result in difficult alignment.

If surface run raceway wiring is used, you must cut or file an opening for the raceway (Fig. 1).

APPLICATION

The stat guard (transparent plastic) provides an attractive means for protecting the stat where it may be subjected to abuse. Some examples of applications are: schools (especially gymnasiums), lobbies of commercial buildings, and any other areas where the stat could be damaged by a blow on its surface or through maliciousness. To deter tampering, the guard cover attaches to the guard base by means of two socket head screws.

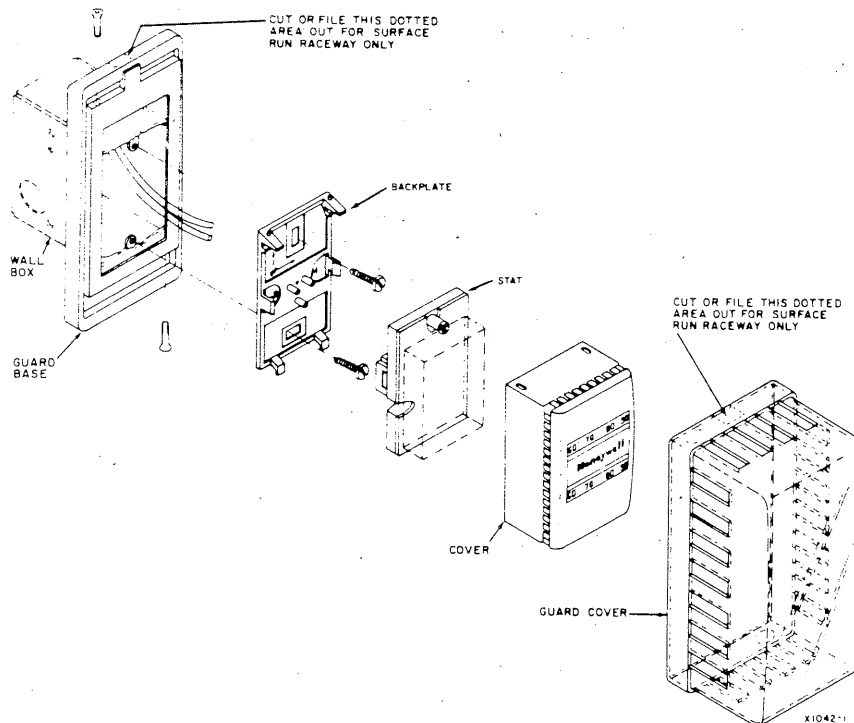


Fig. 1. Stat Guard Installation—With or Without Wall Box.

Primary attachment to wall is by clamping guard base, using screws between wall box and stat backplate. Three black rubber buttons space adhesive, on guard base, away from mounting surface until alignment is obtained.

CAUTION

DO NOT compress buttons and bring adhesive into contact with wall, by tightening screws, until parts are aligned and plumb.

After adhesive cures, 24 hours at temperatures above 70F, guard base will be permanently bonded to mounting surface.

Remove protective green paper and expose adhesive. Attach tubing to backplate (Fig. 1). Mount guard base

and backplate to wall fittings. Tighten screws only until *buttons* contact mounting surface. Plumb backplate. Tighten screws until adhesive surface firmly contacts wall. Secure guard cover to guard base with two socket head screws provided.

NOTE: Do not attempt mounting stat guard without using screws.

Wall anchors may be used, but are recommended only in exceptional cases. For electronic stats use Plaster Ring 14000885-001 or Mounting Plate 14001496-001.

CLEANING

Avoid the use of abrasive materials and chlorinated hydrocarbons such as carbon tetrachloride.