

Honeywell E-Mon

E-Mon[®] Class 6000

STANDALONE ENCLOSURE OPTIONS

INSTALLATION INSTRUCTIONS



MODELS

EM3S-V-P-D: DIN rail meter with no enclosure, no rail.

EM3S-V-P-R: Meter with NEMA 4X enclosure and inner dead-front swing panel.

EM3S-V-P-ER: Meter with NEMA 4X economy enclosure includes DIN rail.

EM3S-V-P-J: Meter with NEMA 1 indoor JIC steel enclosure, includes DIN rail.



38-00093-01

E-MON® CLASS 6000 ENCLOSURE OPTIONS INSTALLATION

EM3S-V-P-D

- DIN rail meter
- No enclosure
- Requires 35MM DIN
- Rail supplied by others

Environmental Conditions

Mechanical Environment: M2

Electromagnetic Environment: E2

Operating Temperature:
-25° ... + 70°C (-13° ... + 158°F)

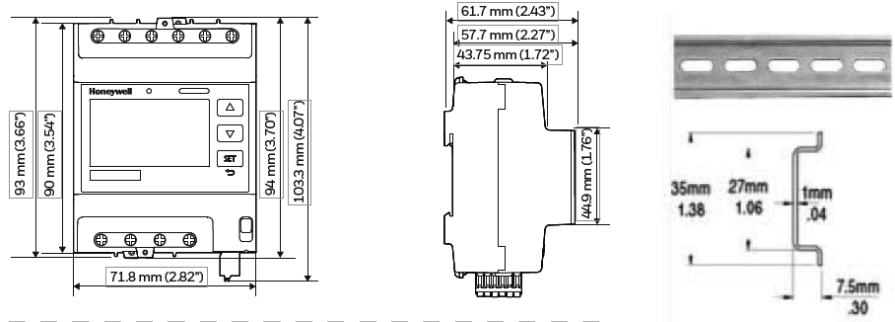
Storage Temperature: -40° ... + 85°C (-40° ... + 185°F)

Relative Humidity without Condensation: 75%

Maximum Altitude: 2,000 meters (6,562 feet)

Vibrations: Complies to 2016 California Building Code (CBC) and ASCE/SEI 7-10 (ASCE 7) seismic certification Resistance to Water and Dust (IP Protection) IP 21 not suitable for wet locations

Resistance to Fire and Heat: Terminal 960°C, (760°F) cover 650°C (1,202°F) IEC 60695-2-1

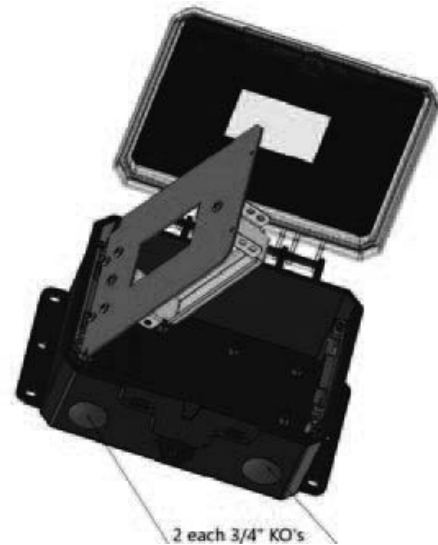
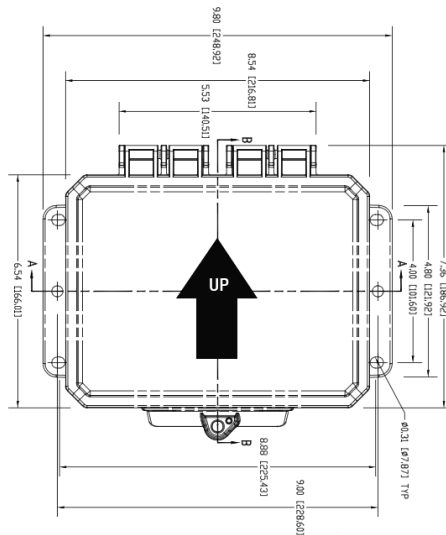


EM3S-V-P-R

- Meter with NEMA 4X outdoor polycarbonate enclosure
- Inner dead-front swing panel w/ two 3/4" KO's
- Size: 8" x 6" x 3"

NOTES:

- Use appropriately sized mounting hardware to fasten the meter enclosure to the selected mounting surface.
- The four housing mounting holes are centered 9" W x 4" H.



EM3S-V-P-ER

- Meter with NEMA 4X outdoor polycarbonate economy enclosure
- Includes DIN rail, no KO's
- Size 8"x6"x3"

NOTES:

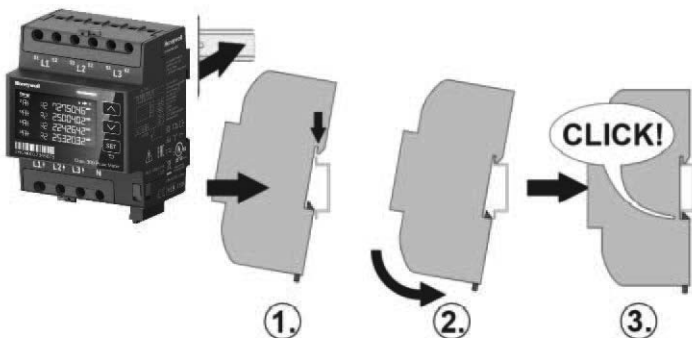
- Use appropriately sized mounting hardware to fasten the meter enclosure to the selected mounting surface.
- The four housing mounting holes are centered 9" W x 4" H.



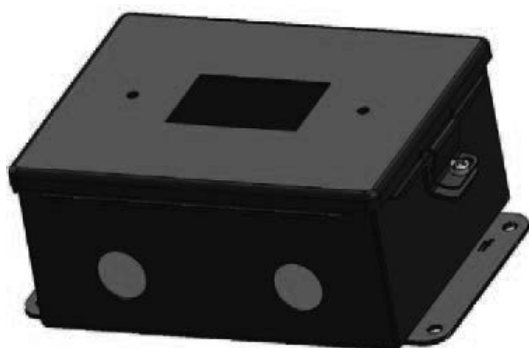
Wire Entry

No conduit openings exist on the ER enclosure. Before mounting the meter to the DIN rail, drill one 3/4" conduit opening (nominal 1.109 in 28.17 mm) on the bottom of the enclosure, used to bring in MAINS Power (voltage lines to the power meter) and current sensor wiring. If the Pulse output will be used, drill another 3/4" K/O for the pulse output wiring.

DIN Rail Mounting



EM3S-V-P-J



- Meter with NEMA 1 indoor JIC steel enclosure
- Includes DIN rail & two 3/4" KO's
- Size 8"x6"x3"

NOTES:

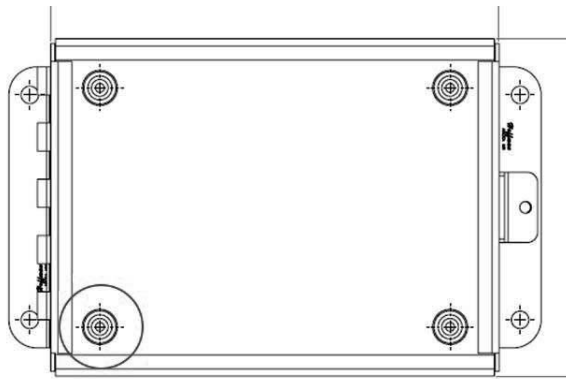
- Use appropriately sized mounting hardware to fasten the meter enclosure to the selected surface.
- The four mounting holes are centered 9" W X 4" H.

1. Two openings exist on the R and J enclosures for 3/4" conduit. One of the 3/4" conduit openings located on the bottom of the enclosure is used to bring in MAINS Power (voltage lines to power meter) and current sensor wiring. The other KO is used for the pulse output wiring (if used.)
2. Route the appropriate cabling to and through the respective enclosure opening. The conduit and fittings interfacing the enclosure entrances must be UL listed and properly sized to the enclosure port diameter. The interfacing fitting must use a gasket seal ring to interface between the conduit fitting and the enclosure entry point. After installing the conduit fitting and conduit, verify that the conduit fittings are aligned properly to their respective enclosure entrance ports and tightened securely to prevent moisture entry. VERIFY that each conduit slip nut is securely tightened to its respective conduit fitting.
3. *Connect an earth ground stranded copper green wire 14 AWG 600VAC to the provided steel enclosure with the grounding lug (for example lower left corner) protective earth ground lug with a torque of 7 N-m. * For meters in metal enclosures.

⚠ WARNING

Failure to attach the protective earth ground wire securely to the meter steel enclosure lug creates a potential shock hazard. Do not operate the meter without a protective earth ground connection securely installed.

4. Earth Ground MUST be connected to the mounting screw provided with the steel enclosure and located in the lower left corner as shown below.



Outdoor applications require the use of the optional R and ER NEMA 4X enclosure. The same principles outlined for indoor meter installations as defined in the aforementioned paragraph carry over and apply to outdoor installations with one exception. The exception is that the conduit and fittings for outdoor installations require an outdoor material rating and approval for 4X applications.

Option J is rated NEMA 1 and may not be used for outdoor applications.

Honeywell Building Technologies

In the U.S.:

Honeywell E-Mon

715 Peachtree Street NE

Atlanta, GA 30308

customer.honeywell.com

Honeywell E-Mon

® U.S. Registered Trademark
© 2020 Honeywell International Inc.
38-00093-01 M.S. 07-20
Printed in United States