

**Honeywell**

# **HHCWM/HHCWM2**

## **Weatherproof Housing**

### **Installation Guide**

## Revisions

Revision	Date	Revisions
A	01/2012	New document.
B	04/2012	Part number corrected (800-09588 not 800-09558); changes to Caution, Figure 6, and Figure 7 on page 10.

---

# Warnings and Cautions

---

**WARNING!** This product is intended for use with a 24 V AC power source. **DO NOT** connect to a higher voltage.

**Caution** To conform to local codes and to maintain your warranty, installation and servicing should only be performed by qualified and experienced technicians.

**Caution** The use of CSA Certified/UL Listed Class 2 power adapters is required to ensure compliance with electrical safety standards.



---

# Contents

---

<b>Introduction</b> .....	<b>5</b>
Features .....	5
Ordering Information .....	5
Before You Begin .....	6
Housing Overview .....	7
<b>Installing the Housing</b> .....	<b>8</b>
Open the Housing .....	8
Install the Camera .....	8
Connect the Power and Video Cables .....	9
Close the Housing .....	11
Attach the Housing to a Mount .....	12
<b>Adjusting the Sunshield</b> .....	<b>14</b>
<b>Maintenance</b> .....	<b>14</b>
<b>Specifications</b> .....	<b>15</b>

---

# Introduction

---

The HHCWM series weatherproof housing is a dustproof and waterproof enclosure for 1/2-inch and 1/3-inch CCD cameras with fixed focal length or small zoom lenses.

## Features

- Contemporary design
- Indoor and outdoor applications (IP66 rated)
- Removable body for easy servicing
- Adjustable mounting tray
- Die-cast aluminum construction
- Side opening for fast, easy installation
- Powder coating for corrosion resistance
- Built-in breather vent

## Ordering Information

---

<b>Model No.</b>	<b>Description</b>
------------------	--------------------

---

### Housing Models

HHCWM	Housing with sunshield, wall mount
-------	------------------------------------

---

HHCWM2	Housing with sunshield, heater, blower, wall mount
--------	----------------------------------------------------

---

### Optional Components

HHMW	Wall Mount
------	------------

---

HHMCJ	Ceiling J Mount
-------	-----------------

---

HHMPMA2	Pole Mount Adapter for HHMW
---------	-----------------------------

---

# Before You Begin

Read this guide carefully before installing the housing and keep it for future reference.

## Unpack Everything

Check that the items received match those listed on the order form and packing slip. The packing box includes the following items:

---

<b>Housing Model</b>	<b>Package Includes</b>
HHCWM	<ul style="list-style-type: none"><li>• Housing with sunshield (1)</li><li>• HHMW wall mount (1)</li><li>• 1/4-20 UNC machine screws (6)</li><li>• Spring washer (1)</li><li>• Flat washer (1)</li><li>• Silicone rubber plugs (2)</li><li>• Hex key (2)</li><li>• Installation guide (1)</li></ul>
HHCWM2	<ul style="list-style-type: none"><li>• Housing with sunshield, heater, and blower (1)</li><li>• HHMW wall mount (1)</li><li>• 1/4-20 UNC machine screws (6)</li><li>• Spring washer (1)</li><li>• Flat washer (1)</li><li>• Silicone rubber plugs (2)</li><li>• Hex key (2)</li><li>• Installation guide (1)</li></ul>

---

If any parts are missing or damaged, contact your dealer or call Honeywell Customer Service (see back cover for contact information).

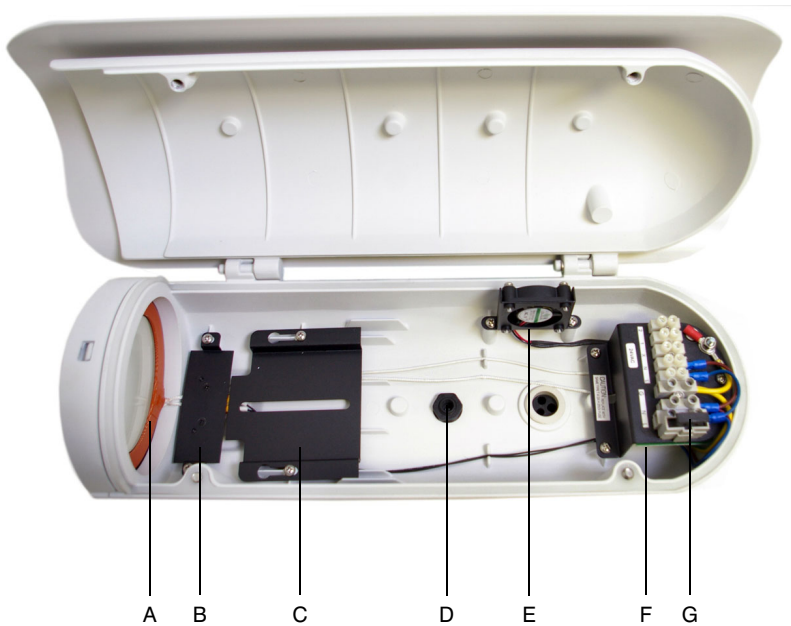
## Tools Needed

- Hex key (supplied)
- No.1 Phillips screwdriver (not supplied)

# Housing Overview

*Figure 1* shows the main components of an HHCWM2 housing. Please note that the HHCWM housing does not include the window defroster, heater, and blower.

**Figure 1** HHCWM2 Housing Main Components



- A Window defroster
- B Heater
- C Mounting tray
- D Breather vent
- E Blower
- F Printed circuit board
- G Fuse

---

# Installing the Housing

---

## Open the Housing

- Open the housing by loosening the two screws on the side of the housing (*Figure 2*) with the supplied hex key.

**Figure 2**      **Location of Screws on Housing**



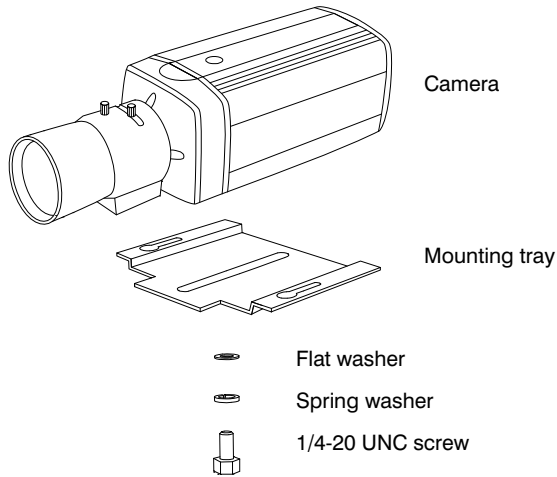
## Install the Camera

1. Locate the mounting tray inside the housing (see *Figure 1*).
2. Loosen the screws on the sides of the mounting tray and remove the tray from the housing.
3. Attach the mounting tray to the bottom of the camera using the supplied 1/4-20 UNC screw, spring washer, and flat washer, as shown in *Figure 3*.

**Note**      You may need to turn over the mounting tray to better accommodate the camera.



**Figure 3 Attach Mounting Tray to Camera**



4. Place the camera in the housing, slide the camera to the desired position, and then tighten the screws on the sides of the mounting tray.

## Connect the Power and Video Cables

1. Unscrew the cap from the conduit plug that is located on the bottom of the housing.
2. Remove the silicone rubber compression gland from the conduit plug.
3. The compression gland has three holes (4 mm, 6.5 mm, and 7 mm in diameter). Cut a slit along the length of the compression gland for each hole that you plan to use, as shown in [Figure 4](#).

**Figure 4 Prepare Compression Gland to Receive Cable**



4. Feed the power and video cables through the wall mount bracket (if running the cables through the mount), conduit plug cap, and compression gland, as shown in [Figure 5](#).

Insert the supplied silicone rubber plugs into any unused holes.

**Figure 5** Insert Cable into Compression Gland



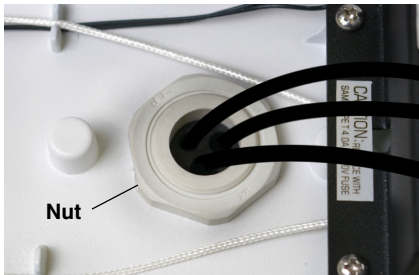
5. Insert the compression gland into the conduit plug and tighten the cap, as shown in [Figure 6](#).

**Caution** Tighten all fittings securely to ensure a liquid-tight seal. Ensure that the conduit plug gasket is not displaced.

**Figure 6** Attach Cap to Conduit Plug

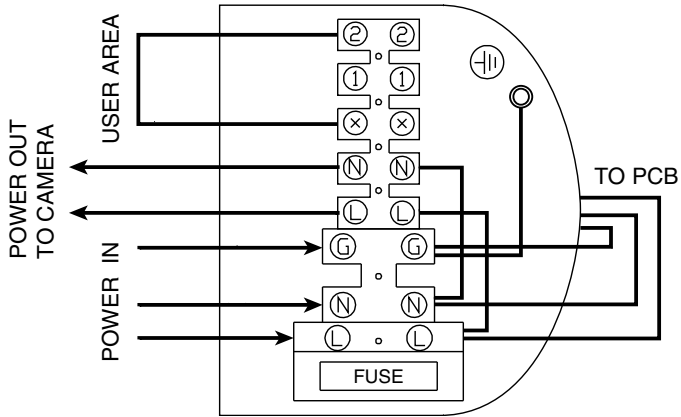


**Figure 7** Ensure Conduit Plug Nut Is Tight



- Connect the wire leads of the power cable to the power input terminals in the housing following the wiring diagram shown below (Figure 8).

**Figure 8**      **Connect Power**



**Caution**      Replace fuse with same Type T 2.0 A H 250 V fuse.

- Connect power from the housing to the camera.
- Connect the video/network cable to the camera.

## Close the Housing

- Shut the housing cover and, using the supplied hex key, tighten the two screws on the side of the housing.

## Attach the Housing to a Mount

The following installation instructions are for the HHMW wall mount that is included with the housing.

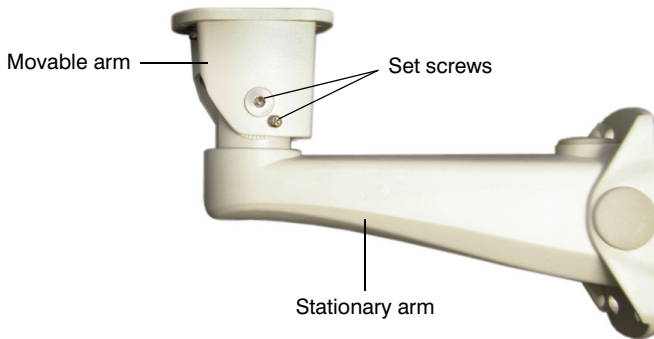
1. Before installing the wall mount bracket, ensure that the mounting surface can reliably support the combined weight of the housing, camera, and mount.
2. Install the wall mount bracket.

To install the bracket:

- a. Place the stationary arm of the bracket against the mounting surface and mark the four holes.
- b. Attach the bracket to the mounting surface using appropriate mounting hardware (four 1/4-20 UNC screws are supplied).

**Note** For additional clearance when installing the bracket, loosen the set screws on the movable arm (see [Figure 9](#)).

**Figure 9** Install the Wall Mount Bracket



3. Place the housing onto the bracket, aligning the holes on the bottom of the housing with the two 1/4-20 UNC screws on the mating surface of the bracket (see [Figure 10](#)), and then tighten the screws.

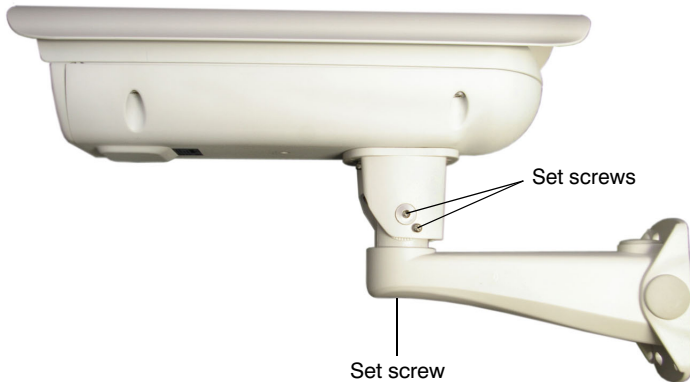
**Note** There are three mounting holes on the bottom of the housing, providing two options for mounting the housing. Use the rear two holes if you are running the cables inside the mount (as in [Figure 10](#)). If you are running the cables outside the mount, use the front two holes.

**Figure 10** Install the Housing on the Wall Mount Bracket



4. Loosen one or more of the bracket set screws (see [Figure 11](#)).

**Figure 11** Adjust the Housing Position



5. Adjust the movable arm of the bracket to set the desired housing position.
6. Tighten the set screw(s) to lock the arm in place.

---

# Adjusting the Sunshield

---

The housing comes with a sunshield already installed. If you want, you can reposition the sunshield or you can remove it.

To reposition the sunshield:

1. Loosen the two screws that attach the sunshield to the housing.
2. Slide the sunshield forward or backward.
3. Tighten the screws to lock the sunshield in place.

To remove the sunshield:

- Remove the two screws that attach the sunshield to the housing, and then remove the sunshield.

---

# Maintenance

---

To maintain the appearance of the equipment and to prolong its operational life, do the following on a regular basis:

- Clean the viewing area window with a soft cloth and a mixture of mild detergent and water.
- Verify that all mounting hardware is secure.

---

# Specifications

---

Internal Dimensions	10.53 × 2.75 × 2.95 in. (267.6 × 70 × 75 mm)
External Dimensions (With Sunshield)	16.93 × 5.75 × 5.39 in. (430 × 146.2 × 137 mm)
External Dimensions (Without Sunshield)	15.28 × 5.75 × 5.14 in. (388.2 × 146.2 × 130.6 mm)
Weight	HHCWM: 5.29 lb. (2.4 kg) HHCWM2: 6.39 lb. (2.9 kg)
Input Voltage	24 V AC
Power Consumption	HHCWM: Camera dependant, 1.6 A (max) HHCWM2: 30 W (max)
Construction	Body: Die-cast aluminum Window: Glass
Finish	Gray powder coating
Operating Temp	HHCWM: 5°F to 140°F (-15°C to 60°C) HHCWM2: -40°F to 140°F (-40°C to 60°C)
Heater (HHCWM2 only)	Switches ON at 39.2°F ± 5.4°F (4°C ± 3°C)
Blower (HHCWM2 only)	Switches ON at 113°F ± 9°F (45°C ± 5°C)
Relative Humidity	0% to 100%
Rating	IP66 (dustproof and waterproof)
Recommended Mounts	HHMW (Wall Mount) HHMCJ (Ceiling J Mount) HHMPMA2 (Pole Mount Adapter for HHMW)

**Honeywell Systems (Head Office)**

2700 Blankenbaker Pkwy, Suite 150  
Louisville, KY 40299, USA  
[www.honeywellvideo.com](http://www.honeywellvideo.com)  
☎ +1.800.796.2288

**Honeywell Security Europe/South Africa**

Aston Fields Road, Whitehouse Industrial Estate  
Runcorn, Cheshire, WA7 3DL, UK  
[www.honeywell.com/security/uk](http://www.honeywell.com/security/uk)  
☎ +44.01928.754028

**Honeywell Systems Caribbean/Latin America**

9315 NW 112th Ave.  
Miami, FL 33178, USA  
[www.honeywellvideo.com](http://www.honeywellvideo.com)  
☎ +1.305.805.8188

**Honeywell Systems Pacific**

Level 3, 2 Richardson Place  
North Ryde, NSW 2113, Australia  
[www.honeywellsecurity.com.au](http://www.honeywellsecurity.com.au)  
☎ +61.2.9353.7000

**Honeywell Systems Asia**

35F Tower A, City Center, 100 Zun Yi Road  
Shanghai 200051, China  
[www.asia.security.honeywell.com](http://www.asia.security.honeywell.com)  
☎ +86 21.5257.4568

**Honeywell Security Middle East/N. Africa**

Post Office Box 18530  
LOB Building 08, Office 199  
Jebel Ali, Dubai, United Arab Emirates  
[www.honeywell.com/security/me](http://www.honeywell.com/security/me)  
☎ +971.04.881.5506

**Honeywell Security Northern Europe**

Ampèrestraat 41  
1446 TR Purmerend, The Netherlands  
[www.honeywell.com/security/nl](http://www.honeywell.com/security/nl)  
☎ +31.299.410.200

**Honeywell Security Deutschland**

Johannes-Mauthe-Straße 14  
D-72458 Albstadt, Germany  
[www.honeywell.com/security/de](http://www.honeywell.com/security/de)  
☎ +49 74 31 / 8 01-18 70

**Honeywell Security France**

Immeuble Lavoisier  
Parc de Haute Technologie  
3-7 rue Georges Besse  
92160 Antony, France  
[www.honeywell.com/security/fr](http://www.honeywell.com/security/fr)  
☎ +33.(0).1.40.96.20.50

**Honeywell Security Italia SpA**

Via della Resistenza 53/59  
20090 Buccinasco  
Milan, Italy  
[www.honeywell.com/security/it](http://www.honeywell.com/security/it)  
☎ +39.02.4888.051

**Honeywell Security España**

Avenida de Italia, no. 7, 2a planta  
C.T.C. Coslada  
28821 Coslada, Madrid, Spain  
[www.honeywell.com/security/es](http://www.honeywell.com/security/es)  
☎ +34.902.667.800

# Honeywell

[www.honeywellvideo.com](http://www.honeywellvideo.com)  
**+1.800.796.CCTV (North America only)**  
[HVSsupport@honeywell.com](mailto:HVSsupport@honeywell.com)

Document 800-09588 Rev B 04/2012