

B224BI Plug-in Isolator Detector Base

SPECIFICATIONS

Base Diameter:	6.1" (155 mm)
Base Height:	1.2" (31 mm)
Mounting:	4" square box with or without plaster ring, Minimum Depth - 1.5" (38 mm) 4" octagon box, Minimum Depth - 1.5" (38 mm) 3 1/2" octagon box, Minimum Depth - 1.5" (38mm)
Operating Temperature Range:	14°F to 140°F (-10°C to 60°C) NOTE: Do not install in locations where normal ambient temperature extends beyond 32°F to 120°F (0°C to 49°C)
Operating Humidity Range:	10% to 93% Relative Humidity Non-condensing
Electrical Ratings	
Operating Voltage:	15 to 32 VDC
Standby Current:	450µA Maximum
Alarm Current:	5mA Maximum
Relay Contact Rating:	2A at 30VDC/0.5A @ 125VAC (Resistive); 1A @ 30VDC/0.25A @ 125VAC (Inductive)

BEFORE INSTALLING

Please thoroughly read the system wiring and installation manuals and the *System Smoke Detectors Applications Guide*, which provides detailed information on detector spacing, placement, zoning, and special applications.

NOTICE: This manual should be left with the owner/user of this equipment.

IMPORTANT: The detectors used with these bases must be tested and maintained following NFPA 72 requirements. The detectors used with these bases should be cleaned at least once a year.

GENERAL INFORMATION

Isolator bases prevent an entire communications loop from being disabled when a short circuit occurs. They accomplish this by isolating that part of the loop containing the short from the remainder of the circuit. These bases also automatically restore the entire loop when the cause of the short circuit is corrected. In general, up to 25 addressable devices may be isolated between isolator bases.

MOUNTING

The detector base mounts directly to 3 1/2- and 4-inch octagon and 4-inch square boxes, with or without a plaster ring. To mount, remove the decorative ring by rotating it in either direction to unhook the snaps. Then, separate the ring from the base. Install the base on the box, using the screws supplied with the junction box and the appropriate slots in the base. Replace the decorative ring on the base and rotate it in either direction until the ring snaps in place (see Figure 1).

INSTALLATION GUIDELINES

All wiring must be installed in compliance with all applicable local codes and any special requirements of the local authority having jurisdiction, using the proper wire sizes. The conductors used to connect smoke detectors to control panels and accessory devices should be color-coded to reduce the likelihood of wiring errors. Improper connections can prevent a system from responding properly in the event of a fire.

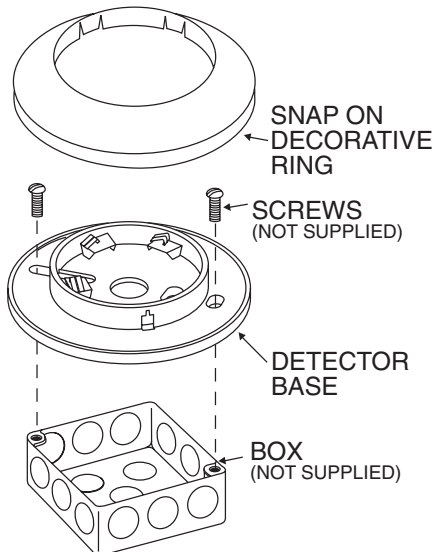
For signal wiring (the wiring between interconnected detectors), it is recommended that the wire be no smaller than 18 gauge (0.9 square mm). However, wire sizes up to 14 gauge (2.0 square mm) can be used with the base. The use of twisted pair wiring or shielded cable for the power (+ and -) loop is recommended to minimize the effects of electrical interference.

If shielded cable is used, the shield connection to and from the detector must be continuous by using wire nuts, crimping, or soldering, as appropriate, for a reliable connection.

Alarm system control panels have specifications for allowable loop resistance. Consult the control panel specifications for the total loop resistance allowed before wiring the detector loops.

Check the zone wiring of all bases in the system before installing detectors. This includes checking the wiring for continuity, correct polarity, ground fault testing, and performing a dielectric test.

FIGURE 1. MOUNTING BASE TO ELECTRICAL BOX:



WIRING INSTRUCTIONS

Make wiring connections by stripping about 3/8 of an inch (10 mm) of insulation from the wire end. Then, insert the wire into the appropriate terminal and tighten the screw. Wire the communication line in (+) to terminal 1. Insert both communication line in (-) and communication line out (-) to terminal 2. Wire communication line out (+) to terminal 3 (see Figures 2 and 3). Terminal 4 is for shielded cable only (see Figure 2). If shielded cable is used, the shield connection to and from the detector must be continuous by using wire nuts, crimping, or soldering to ensure a reliable connection. If shielded cable is NOT used, leave terminal 4 in the screwed-down position.

A label is affixed to the base for recording the zone, address, and type of detector being installed at the base location. This information is useful for setting the detector head address and for verification of the sensor type required for that location.

Once all detector bases have been wired and mounted, and the loop wiring has been checked, the detector heads may be installed in the bases.

FIGURE 2:

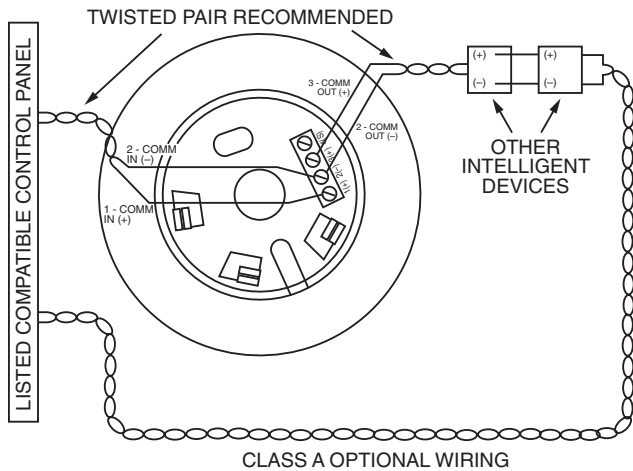
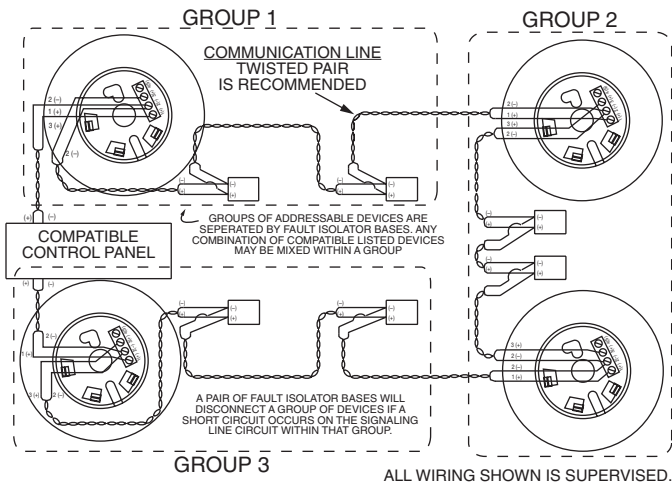


FIGURE 3. WIRING DIAGRAM:



TAMPER-RESIST FEATURE

NOTE: Do not use the tamper-resist feature if the removal tool is to be used.

This detector base includes a tamper-resist feature that prevents its removal from the base without the use of a tool.

To activate this feature, break the tab from the detector base as shown in Figure 4A. Then, install the detector.

To remove the detector from the base once the tamper-resist feature has been activated, insert a small-bladed screwdriver into the slot in the side of the base and push the plastic lever away from the detector head (see Figure 4B). This allows the detector to be rotated counterclockwise for removal.

NOTE: Head removal after the tamper-resist feature has been activated requires removal of the decorative ring.

The tamper-resist feature can be defeated by breaking and removing the plastic lever from the base. However, this prevents the feature from being used again.

FIGURE 4A. ACTIVATING THE TAMPER-RESIST FEATURE:

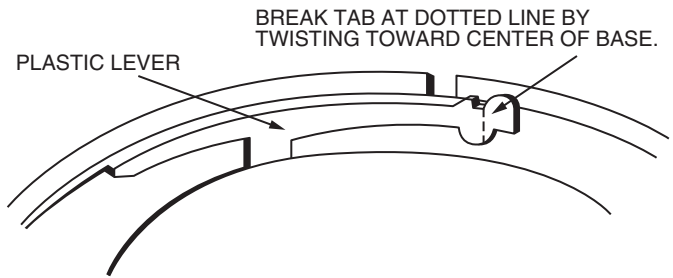
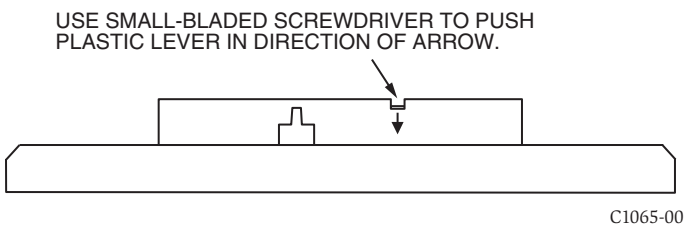


FIGURE 4B. REMOVING THE DETECTOR HEAD FROM THE BASE:



Please refer to insert for the Limitations of Fire Alarm Systems

THREE-YEAR LIMITED WARRANTY

System Sensor warrants its enclosed air duct smoke detector to be free from defects in materials and workmanship under normal use and service for a period of three years from date of manufacture. System Sensor makes no other express warranty for this air duct smoke detector. No agent, representative, dealer, or employee of the Company has the authority to increase or alter the obligations or limitations of this Warranty. The Company's obligation of this Warranty shall be limited to the replacement of any part of the air duct smoke detector which is found to be defective in materials or workmanship under normal use and service during the three year period commencing with the date of manufacture. After phoning System Sensor's toll free number 800-SENSOR2 (736-7672) for a Return Authorization number, send defective units postage prepaid to: System

Sensor, Returns Department, RA # _____, 3825 Ohio Avenue, St. Charles, IL 60174. Please include a note describing the malfunction and suspected cause of failure. The Company shall not be obligated to replace units which are found to be defective because of damage, unreasonable use, modifications, or alterations occurring after the date of manufacture. In no case shall the Company be liable for any consequential or incidental damages for breach of this or any other Warranty, expressed or implied whatsoever, even if the loss or damage is caused by the Company's negligence or fault. Some states do not allow the exclusion or limitation of incidental or consequential damages, so the above limitation or exclusion may not apply to you. This Warranty gives you specific legal rights, and you may also have other rights which vary from state to state.