

R-10TA/R-20TA/R-14TA/R-24TA Multi Voltage Relay

3333 Unity Drive, Mississauga, Ontario L5L 3S6
800/736-7672, Télécopieur : 905-812-0771
www.systemsensor.ca

Specifications

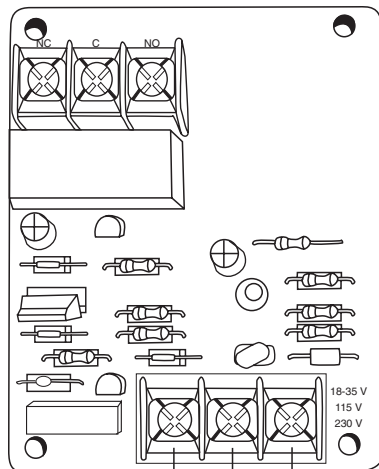
Operating Voltage:	18-35VDC, 18-35VAC, 115VAC, 230VAC		
Operating Current (R-10TA/R14TA):	23mA DC @ 24V, 59mA AC @ 24VAC;	150mA AC @ 120VAC, 180mA AC @ 240VAC	
Operating Current (R-20TA/R-24TA):	40mA DC @ 24V, 92mA AC @ 24VAC;	220 mA AC @ 120VAC, 260mA AC @ 240VAC	
Operating Temperature:	-40°F to 158°F (-40°C to 70°C)		
Humidity Range:	10% - 85% non-condensing		
Dimensions:	R-10TA/R-20TA: 3.5"H × 2.5"W × 1.25"D (89 mm H × 64 mm W × 32 mm D) R-14TA/R-24TA: 3.5"H × 10"W × 1.25"D (89 mm H × 254 mm W × 32 mm D)		
Accessories:	R-10TA/R-20TA - 2 mounting screws; R-14TA/R-24TA - 4 mounting screws		
Contact Ratings:	24VDC	7A	
	120VAC	10A	
	120VAC	1/6 HP	
	230VAC	7A	

Notice: This manual should be left with the owner/user of this equipment.

General Description

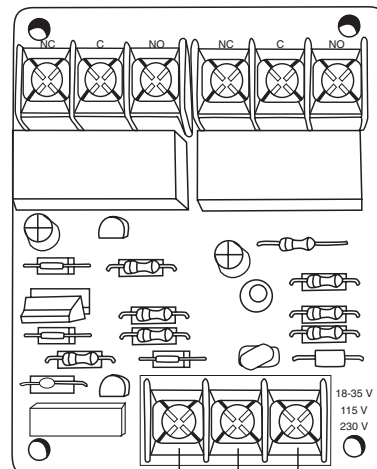
Models R-10TA/R-20TA and R-14TA/R-24TA are multi voltage relays with terminal strip field wiring connections, mounting track and hardware. The R-10TA is a single 1 FORM C (SPDT) relay with a red LED and the R-14TA is a 4-gang 1 FORM C

(SPDT) relay with 4 red LEDs. The R-20TA is a single 2 Form C (DPDT) relay with a red LED and the R-24TA is a 4-gang 2 Form C (DPDT) relay with 4 red LEDs. The LEDs indicate the energization of the Relay Coil.



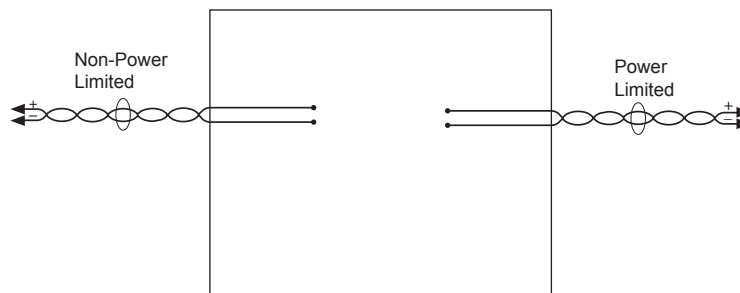
R-10TA/R14TA Relay

C0567-01



R-20TA/R24TA Relay

C0527-01



Three-Year Limited Warranty

System Sensor warrants its enclosed smoke detector to be free from defects in materials and workmanship under normal use and service for a period of three years from date of manufacture. System Sensor makes no other express warranty for this smoke detector. No agent, representative, dealer, or employee of the Company has the authority to increase or alter the obligations or limitations of this Warranty. The Company's obligation of this Warranty shall be limited to the repair or replacement of any part of the smoke detector which is found to be defective in materials or workmanship under normal use and service during the three year period commencing with the date of manufacture. After phoning System Sensor's toll free number 1-800-SENSOR2 (736-7672) for a Return Authorization number, send defective units postage prepaid to: System Sensor Canada (3PL), c/o Kuehne and Nagel, 6335 Edwards Blvd., Mississauga, Ontario L5N 2W7, RA # _____.

Please include a note describing the malfunction and suspected cause of failure. The Company shall not be obligated to repair or replace units which are found to be defective because of damage, unreasonable use, modifications, or alterations occurring after the date of manufacture. In no case shall the Company be liable for any consequential or incidental damages for breach of this or any other Warranty, expressed or implied whatsoever, even if the loss or damage is caused by the Company's negligence or fault. Some states do not allow the exclusion or limitation of incidental or consequential damages, so the above limitation or exclusion may not apply to you. This Warranty gives you specific legal rights, and you may also have other rights under common law.