

# CELL-MOD Series Product Installation Document

PN LS10182-000GE-E:B 2/6/2018 18-046

## 1 Description

The CELL-MOD houses a GSM (cellular) communicator card for central station reporting. The CELL-MOD is a red plastic enclosure. The CELL-MOD is compatible with the ES-50X Series, ES-200X Series, NFW-50X Series, NFW-100X Series, IFP-75, IFP-300/ECS, IFP-2100/ECS, 6820/EVS, 6808, and 6700 Fire Alarm Control Panels.



**NOTE:** Please contact your AlarmNet® distributor prior to programming this device to ensure the SIM card is activated.

If the module has been deactivated, follow these steps to reactivate:

1. Visit [www.alarmnet360.com](http://www.alarmnet360.com).
2. Login with a valid ID and password. If these credentials are not available, contact AlarmNet technical support.
3. Go to Tools > Cellular Activation.
4. Enter the 12-digit Activation ID (AID) found on the label on the GSM card.
5. Click "Activate".

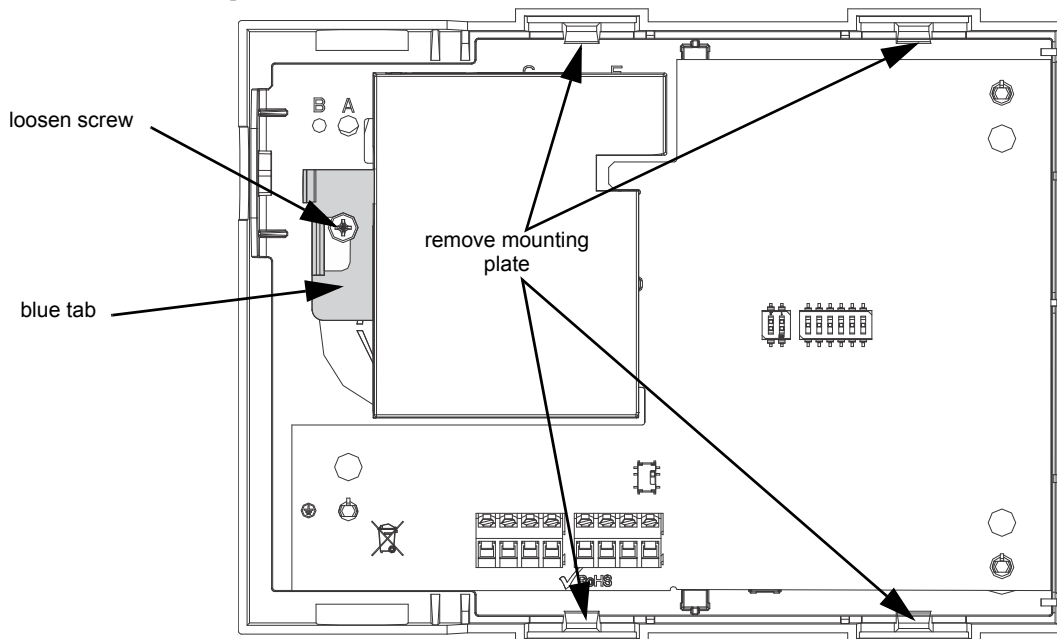
## 2 Installation



**WARNING: THIS SYSTEM CONTAINS STATIC SENSITIVE COMPONENTS**

WEAR A PROPER GROUNDING WRIST STRAP AND WORK ON A STATIC-SAFE WORKSPACE TO PROTECT ELECTRONIC ASSEMBLIES.

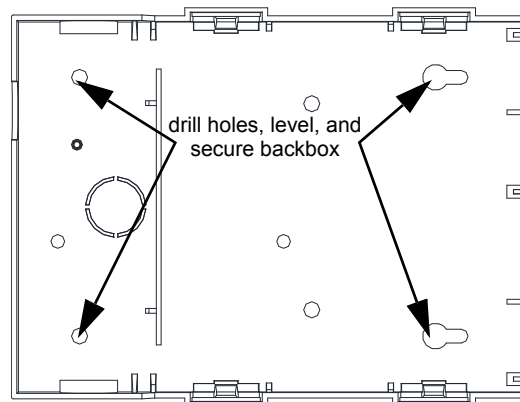
1. Remove the red plastic cover of the assembly.
2. Loosen, but not remove, the screw centered in the blue tab to remove the gray mounting plate. Place the PCB assembly in a safe location until the backbox installation is complete.



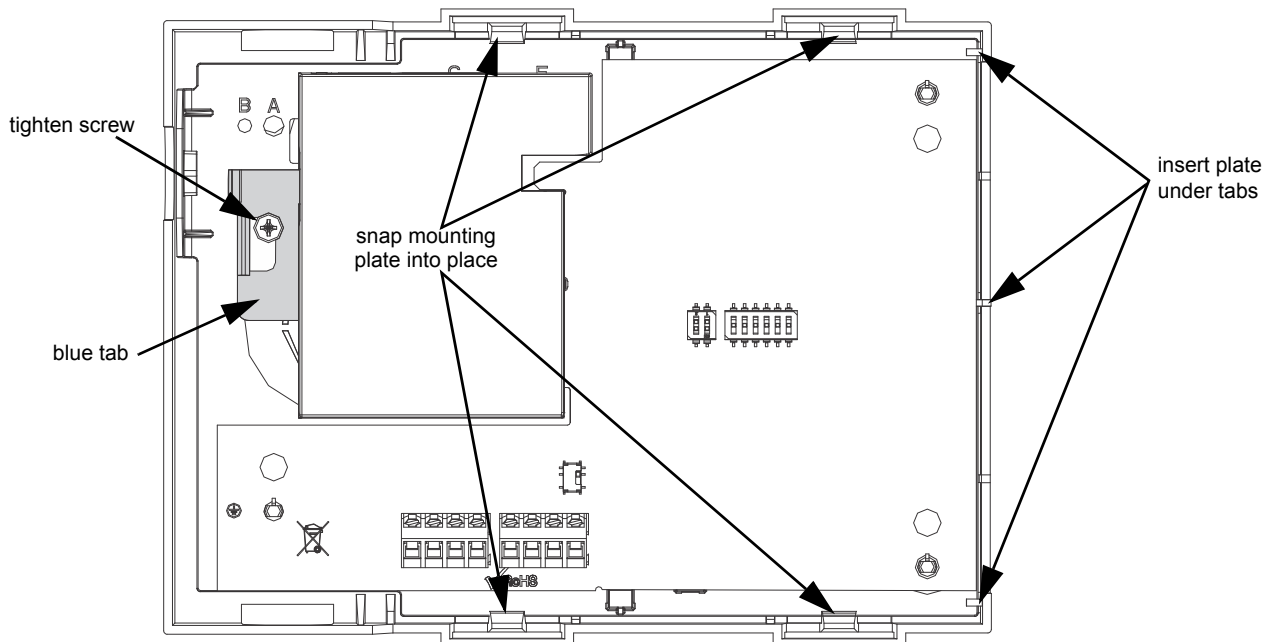
3. Mark and pre-drill holes in the wall for the *right-side* keyhole mounting. Install fasteners in the wall with the screw heads protruding. Place backbox over the screws, level, and secure. Mark and drill the *left-side* mounting holes and secure.



**NOTE:** The CELL-MOD mounts in a "landscape" orientation. Ensure keyhole mounting is on the right.



4. Insert the gray mounting plate under the tabs on the right side of the backbox and gently push to secure under the four snap latches.
5. Tighten the screw loosened in step 2. If the screw was completely removed, ensure that the screw passes through the hole in the blue tab.
6. Reattach cover.



### 3 Wiring

Connections are made from the external communicator terminal block on the fire panel's PCB to the terminal on the GSM card as described below.

CELL-MOD Terminal	FACP External Communicator Terminal
-	-
+	+
A	A
B	B

### 4 Specifications

- Standby Current: 55mA
- Alarm Current: 100mA
- Operating Temp: 32° - 120°F (0-49°C)
- Humidity: 10%-93% (non-condensing)

### 5 Important Information

#### RF EXPOSURE WARNING

The antenna(s) used for this transmitter must be installed to provide a separation distance of at least 7.8 in (20 cm) from all persons and must not be co-located or operated in conjunction with any other transmitter except in accordance with FCC multi-transmitter product procedures.

#### FEDERAL COMMUNICATIONS COMMISSION (FCC) STATEMENTS

The user shall not make any changes or modifications to the equipment unless authorized by the Installation Instructions or User's Manual. Unauthorized changes or modifications could void the user's authority to operate the equipment.

#### FCC CLASS B STATEMENT

This equipment has been tested to FCC requirements and has been found acceptable for use. The FCC requires the following statement for your information:

This equipment generates and uses radio frequency energy and if not installed and used properly, that is, in strict accordance with the manufacturer's instructions, may cause interference to radio and television reception. It has been type tested and found to comply with the limits for a Class B computing device in accordance with the specifications in Part 15 of FCC Rules, which are designed to provide reasonable protection against such interference in a residential installation. However, there is no guarantee that interference will not occur in a particular installation. If this equipment does cause interference to radio or television reception, which can be determined by turning the equipment off and on, the user is encouraged to try to correct the interference by one or more of the following measures:

- If using an indoor antenna, have a quality outdoor antenna installed.
- Reorient the receiving antenna until interference is reduced or eliminated.
- Move the radio or television receiver away from the receiver/control.
- Move the antenna leads away from any wire runs to the receiver/control.
- Plug the receiver/control into a different outlet so that it and the radio or television receiver are on different branch circuits.
- Consult the dealer or an experienced radio/TV technician for help.