

Duct CO2 and Temperature Sensor

Important: Retain these instructions

These instructions shall be used by trained service personnel only. If the equipment is used in a manner not specified by these instructions, the protection provided by the equipment may be impaired.

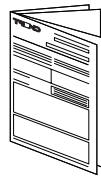
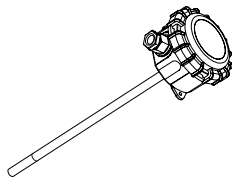
<https://partners.trendcontrols.com>



CONTENTS

1	Box Contents.....	1	4	Maintenance.....	4
2	Storing.....	1	5	Disposal.....	4
3	Installation.....	1			

1 BOX CONTENTS



CO2/T/D Installation Instructions (TG201170)

2 STORING



-20°C (-4°F) → +60°C (+140°F)



0 → 90%RH

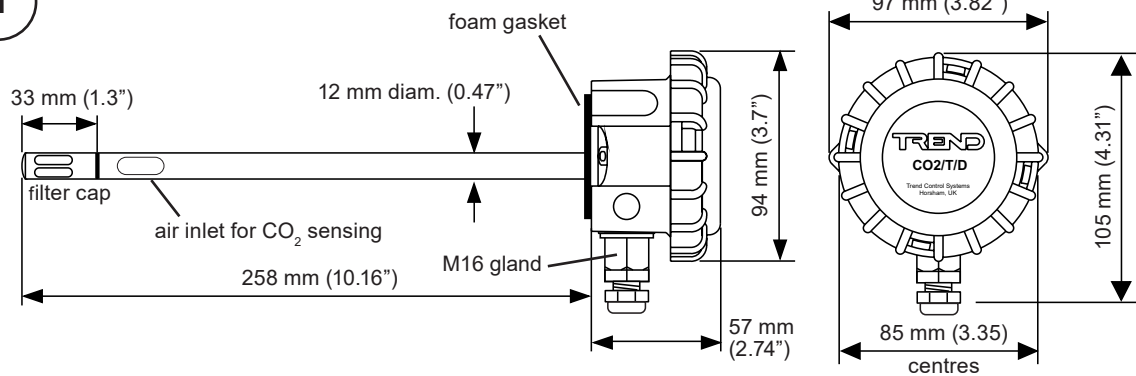


3 INSTALLATION

It is recommended that the installation should comply with the local electrical safety installation practices (e.g. HSE Memorandum of Guidance on Electricity at Work Regulations 1989, USA National Electric Code).

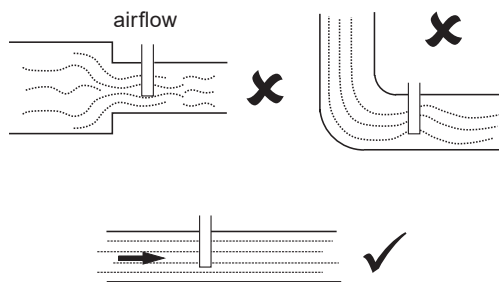
1

Dimensions



2

Choose Location



-20°C (-4°F) → +60°C (working) (140°F)



0°C (32°F) → +40°C (measurement – recommended) (104°F)



CO₂ 0 ppm to 2000 ppm



0%RH → 95%RH



3 INSTALLATION (continued)

3 Mount in Duct

Ø 15 mm (0.59") 2 pilot holes

42.5 mm (1.67") 42.5 mm (1.67")

2 x No 6 (M3.8) x 20 mm screws DIN 7481

4 Remove Lid

5 Remove Connector

6 Insert Cable through Gland

either use flexible conduit

or use M16 cable gland

7 Connect to Controller

CO2/T/D

24 V Supply

24 V ac/dc

0V

IQ controllers

IN1 } CO₂

0V(1)

IN2 } Temp

0V(2)

V+

GND

CO2

GND

T1

T2

Analogue input channel linked for Voltage (V), ensure correct polarity

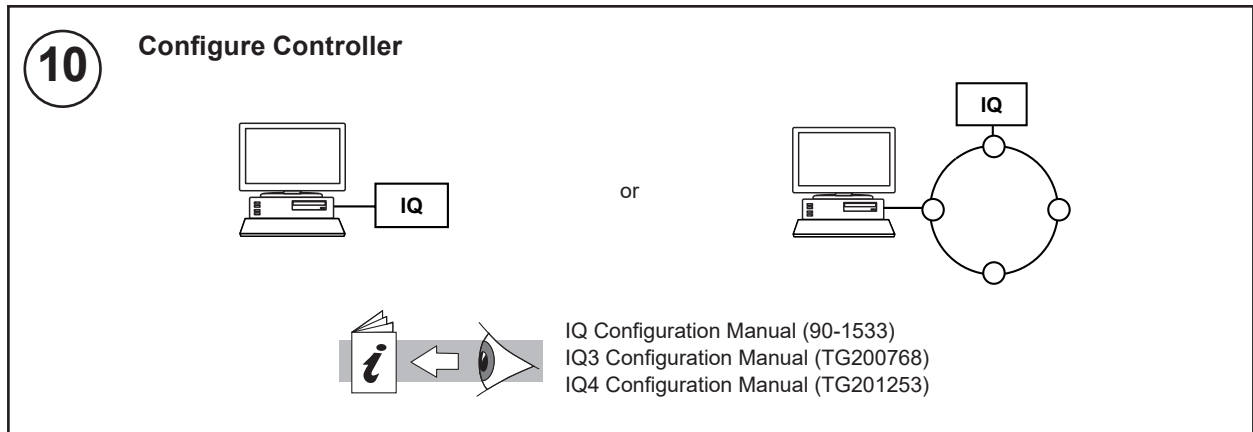
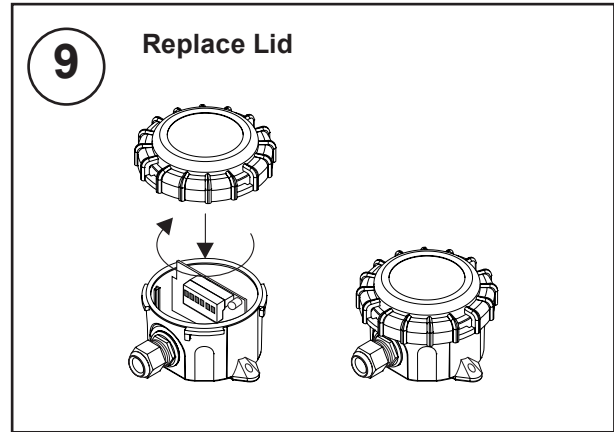
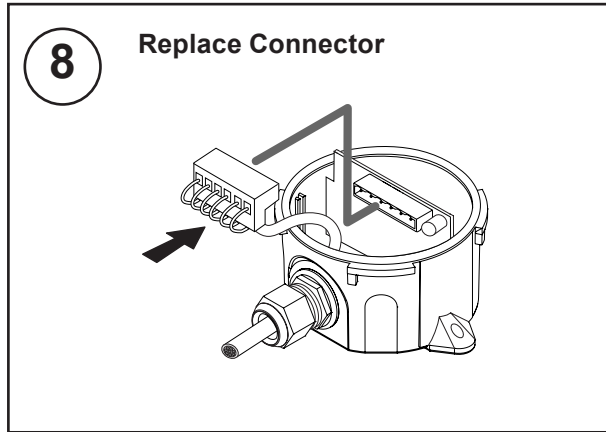
Analogue input channel linked for Thermistor (T), polarity independent

Controller	Max No of CO2 sensors
IQ41x	0
IQ422/24V	1
IQ422/230V	6
IQ4E/230V	6

Views shows connector detail and housing section typical for all uses of the CO2T/D

Note: The dedicated 24 Vdc supply should be isolated and greater than 650 mA

3 INSTALLATION (continued)



11 Set up IQ Sensor Types

It is recommended to use SET (Software Tool) for the setting of the sensor type module. For all IQ2 series controllers with firmware version 2.1 or greater, IQ3 or IQ4 series controllers, the following SET Unique Sensor References should be used:

Thermistor HTST DT (°C)
Thermistor HTST DT F (°F)
CO2 V (ppm)

Alternatively set scaling mode to 5 (characterise) and enter scaling manually as defined in appropriate tables below. Note that for IQ3 and IQ4, the scaling mode and exponent (E) do not need to be set up.

For all other IQ controllers see Sensor Scaling Reference Card (TB100521A).

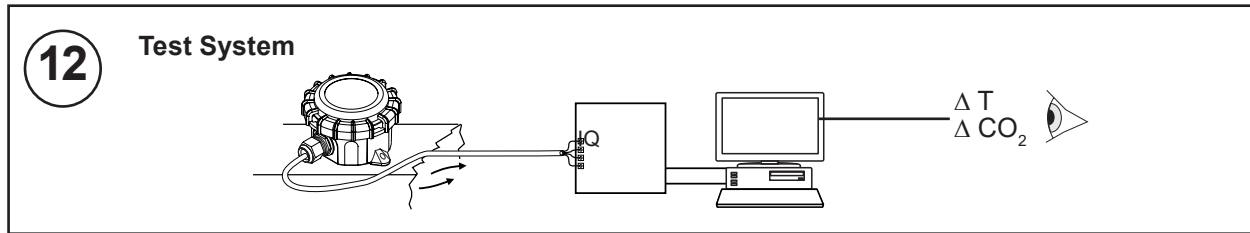
CO₂ concentration voltage output 0 to 10 V for 0 to 2000 ppm

Units		ppm
Y	Input type	0 (volts)
E	Exponent	4
U	Upper	2000
L	Lower	0
P	Points	2
x	lx	Ox
1	0	0
2	10	2000

Temperature thermistor recommended range: 0 to 40 °C (32 to 104 °F)

Units		°C	°F
Y	Input type	1 (thermistor volts)	
E	Exponent	3	
U	Upper	50	122
L	Lower	-5	23
P	Points	6	
x	lx	Ox (°C)	Ox (°F)
1	2.641	50	122
2	3.47	40	104
3	4.46	30	86
4	6.663	10	50
5	7.668	0	32
6	8.102	-5	23


3 INSTALLATION (continued)



4 MAINTENANCE

Over time, the sensing element may become covered in dust. The dust can be removed using compressed air. Under no circumstances should water or cleansing agents be used on the sensing elements.

5 DISPOSAL

 **WEEE Directive:**
At the end of their useful life the packaging and product should be disposed of by a suitable recycling centre.
Do not dispose of with normal household waste.
Do not burn.

Please send any comments about this or any other Trend technical publication to techpubs@trendcontrols.com

© 2021 Honeywell Products and Solutions SARL, Connected Building Division. All rights reserved. Manufactured for and on behalf of the Connected Building Division of Honeywell Products and Solutions SARL, Z.A. La Pièce, 16, 1180 Rolle, Switzerland by its Authorized Representative, Trend Control Systems Limited.

Trend Control Systems Limited reserves the right to revise this publication from time to time and make changes to the content hereof without obligation to notify any person of such revisions or changes.

Trend Control Systems Limited

St. Mark's Court, North Street, Horsham, West Sussex, RH12 1BW, UK. Tel: +44 (0)1403 211888, www.trendcontrols.com



TR CU Certification