

### Important: Retain these instructions

These instructions shall be used by trained service personnel only. If the equipment is used in a manner not specified by these instructions, the protection provided by the equipment may be impaired.

<https://partners.trendcontrols.com>



## 1 INSTALLATION

The IQeco/IQL Secondary Terminal Cover is for use with:

IQL11+/230, IQL13+/24VAC, IQL13+/230, IQL15+/24VAC,  
IQL15+/230, IQL16+/24VAC, IQL16/230, IQL17+/24VAC, IQL17/230

IQeco31/230, IQeco35/24VAC, IQeco35/230, IQeco38/24VAC,  
IQeco38/230

Any of these controllers fitted properly with this secondary terminal cover does not need to be mounted in an enclosure conforming to EN61010-1.

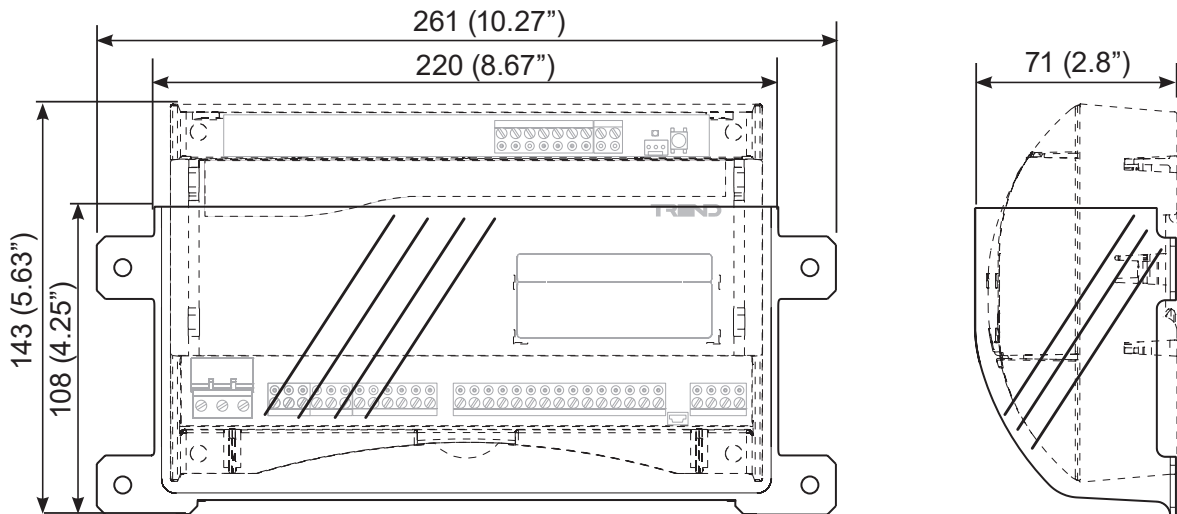


It is recommended that the installation should comply with the local electrical safety installation practices (e.g. HSE Memorandum of Guidance on Electricity at Work Regulations 1989, USA National Electric Code)

1

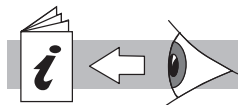
### Dimensions

dimensions in mm (inches)



2

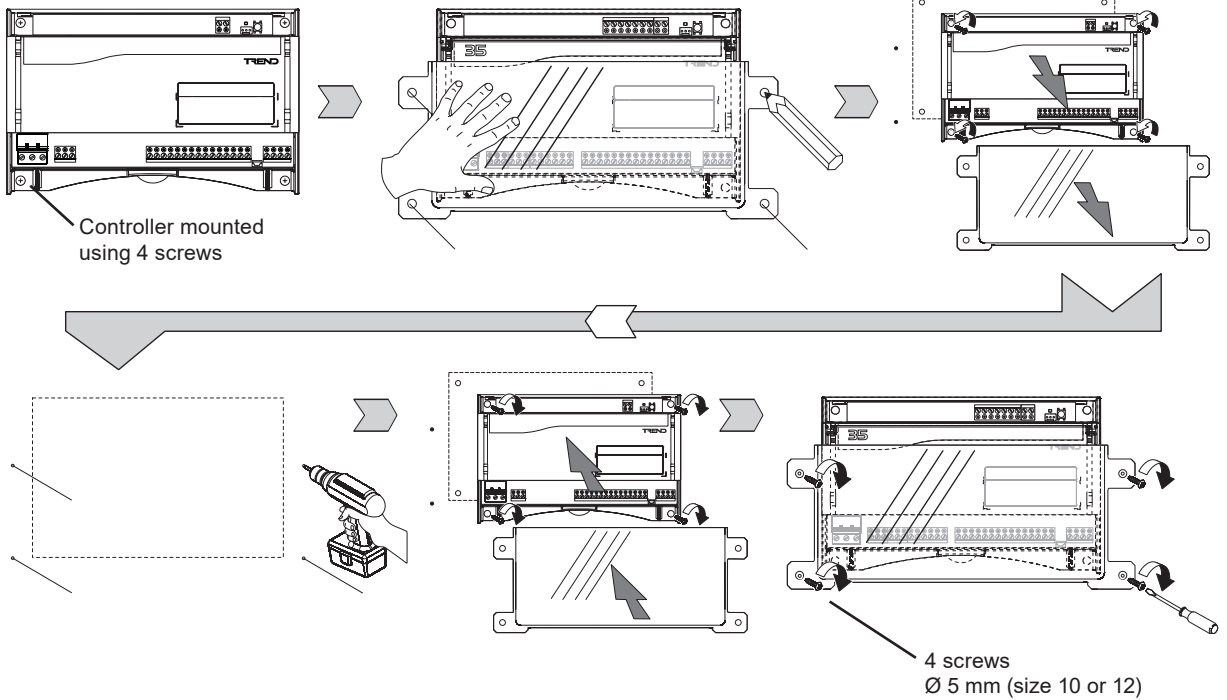
### Mount Controller



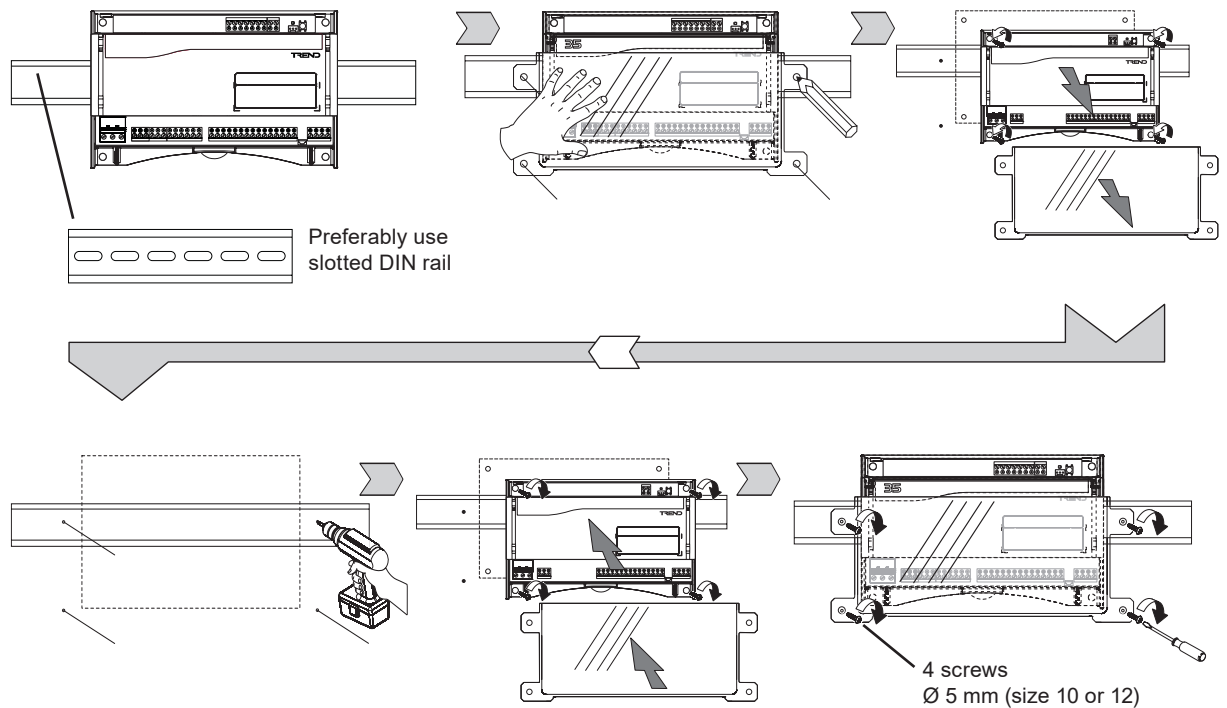
IQeco Installation Instructions - Mounting  
OR  
IQL Installation Instructions

**3** Mount Terminal Cover

**EITHER** if controller is mounted using 4 screws



**OR** if controller is mounted on DIN rail



Please send any comments about this or any other Trend technical publication to [techpubs@trendcontrols.com](mailto:techpubs@trendcontrols.com)

© 2018 Honeywell Technologies Sàrl, E&ES Division. All rights reserved. Manufactured for and on behalf of the Environmental & Energy Solutions Division of Honeywell Technologies Sàrl, Z.A. La Pièce, 16, 1180 Rolle, Switzerland by its Authorized Representative, Trend Control Systems Limited.

Trend Control Systems Limited reserves the right to revise this publication from time to time and make changes to the content hereof without obligation to notify any person of such revisions or changes.

**Trend Control Systems Limited**

St. Marks Court, North Street, Horsham, West Sussex, RH12 1BW, UK. Tel: +44 (0)1403 211888, [www.trendcontrols.com](http://www.trendcontrols.com)