

Important: Retain these instructions

These instructions shall be used by trained service personnel only. If the equipment is used in a manner not specified by these instructions, the protection provided by the equipment may be impaired.

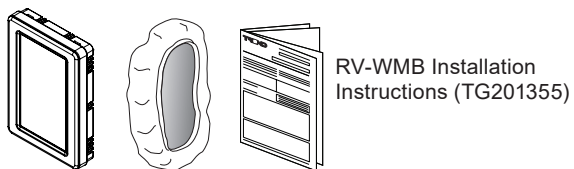


<https://partners.trendcontrols.com>

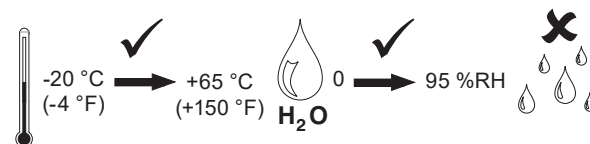
CONTENTS

1	Box contents.....	1	4	Upgrade Firmware	7
2	Storing	1	4	Disposal.....	8
3	Installation	1	5	Security	8

1 BOX CONTENTS



2 STORING



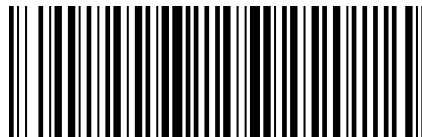
3 INSTALLATION

Note: The RV-WMB-TH-BX is supplied without a bezel. Before installing RV-WMB-TH-BX ensure the bezel is painted the required colour using paint suitable for ABS Plastic.

It is recommended that the installation should comply with the local electrical safety installation practices (e.g. HSE Memorandum of Guidance on Electricity at Work Regulations 1989, USA National Electric Code).

1 Dimensions

2 Mounting Requirements



38-00021-09

3 INSTALLATION (continued)

2 Mounting Requirements (continued)

Operating Altitude: <2000 m (6562')

0 °C (+32 °F) → +50 °C (+122 °F) ✓
 (maximum accuracy range 0 to 40 °C, 32 to 104 °F)

0 %RH → 90%RH ✓
 H₂O

Fill cable access in wall ✓

Cover during installation

Note: Protects against dust only.

3 Remove Main Module

Main module

Back plate

4 Attach Bezel (RV-WMB-TH-BX only)

Remove backing

Bezel

Main module

Adhesive Mask

5 Mount Back Plate

Conduit box

Use No 6 screws

60 mm wall outlet box

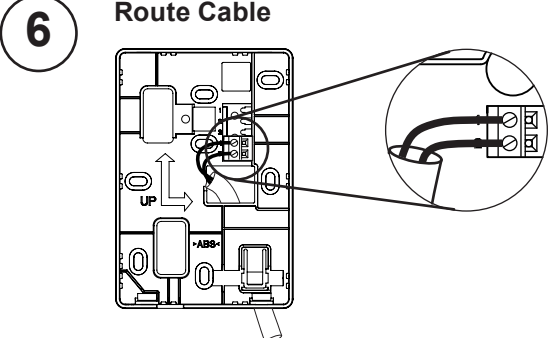
Use 3.5 mm screws

UK pattress box

Do not mount on a dry lining wall box as this prevents flush fitting.

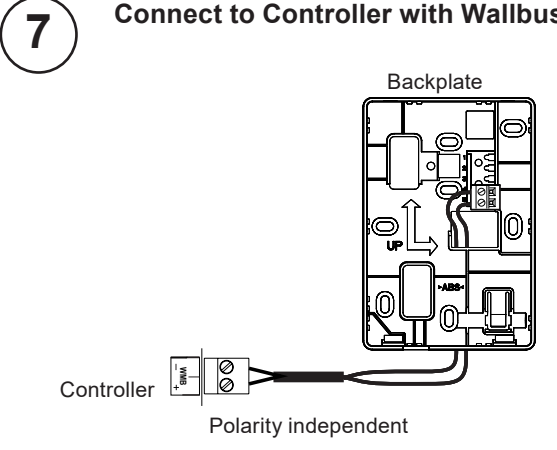
3 INSTALLATION (continued)

6 Route Cable



Cable type: Unscreened twisted pair.
 Bus length: 60 m (200 ft) maximum.

7 Connect to Controller with Wallbus

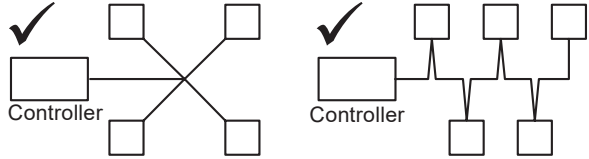


For details of connecting to a specific controller see the controller's installation instructions.

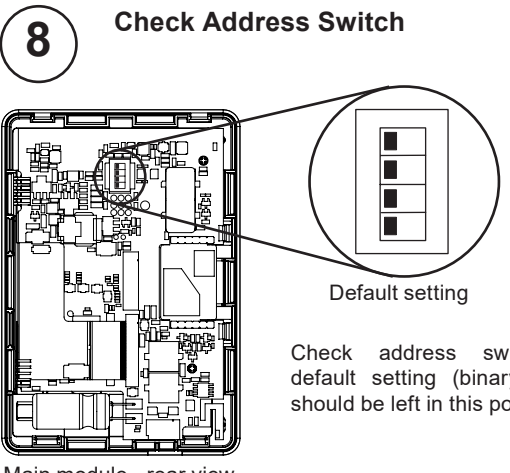
The RV-WMB consumes up to 60% of the 50 mA full wallbus current.

The IQ4 can accommodate one RV-WMB. However, more than one wallbus device can be connected to an IQ4 providing the IQ4 can supply enough power. It is necessary to budget for the full wallbus 50 mA current.

Only one RV-WMB can be connected to an IQeco. For IQeco 31, 35, and 38, the supply to the wallbus must be increased from the specified 10 mA by reducing supplies to the other terminals which use the combined supply - see IQeco31, 32, 35, 38 Data Sheet (TA201176).



8 Check Address Switch



Check address switch at default setting (binary 0). It should be left in this position.

Binary zero address position (default) allows the RV-WMB's address to be changed from the Settings menu (default = 2).

For use with IQeco (prior to v2.3) the address must be 2. For IQeco v2.3 or greater it is recommended that the address should be left as 2.

If there is more than one device on the wallbus (i.e. when connecting to IQ4), the address may need to be changed from the Settings menu (range 2 to 15) - see step 15.

Note: Although the address range is 2 to 15, the number of wallbus devices connected to the controller will be limited by the controller's wallbus supply - see step 7.

Note: The IQ4 Wallbus Interface module (in the strategy) must have its address set to be the same as the unit's address setting - see step 9.

Main module - rear view

3 INSTALLATION (continued)

9 Configure Controller Strategy (not pre-configured controllers)

The controller strategy must be configured using IQ®SET v7.0 or greater. For IQeco v2.3, IQ SET v7.04 or greater is required. For details of using IQ SET - see the IQ SET Manual (TE200147).

For an IQeco to make use of 3 or 4 function buttons within the RV, it must be v2.3 or greater. The controller configuration method described below must be used.

Otherwise, if use of only the 2 standard function buttons is required, there is the option to use the I/O module 2 configuration method as described in the IQeco Configuration Manual (TE201089). This method does not require an IQeco v2.3 or greater. However, IQeco v2.3 or greater will still support this method for compatibility with old strategies.

Use with IQ4 and IQeco v2.3 or greater

The controller can be configured either by using the IQ SET strategy block (recommended), or by manual configuration.

Using the IQ SET strategy block (recommended):

- Add the IQ SET strategy block to the strategy. The strategy block (RV-WMB-TH) is located in the 'Standard Block' section of the Strategy Library in the 'RV' section of 'WMB Room Modules'.
- Set the Wallbus Interface module's 'Address' parameter to the RV-WMB's address on the Wallbus (default is 2)
- Ensure that the Wallbus Interface module's inputs and outputs are linked to the required modules in the strategy.

Important: When using the strategy block (as explained above) some PVs write their value to the RV-WMB and will overwrite changes to that PV made in the RV-WMB's Settings Menu. If this is not required remove the PV from the Wallbus Interface module's inputs. See the RV-WMB Data Sheet (TA201354).

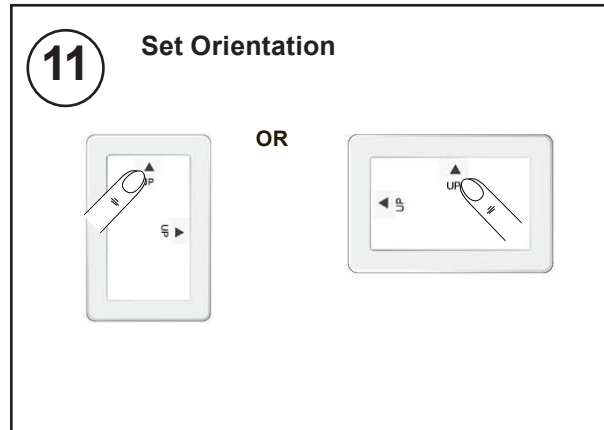
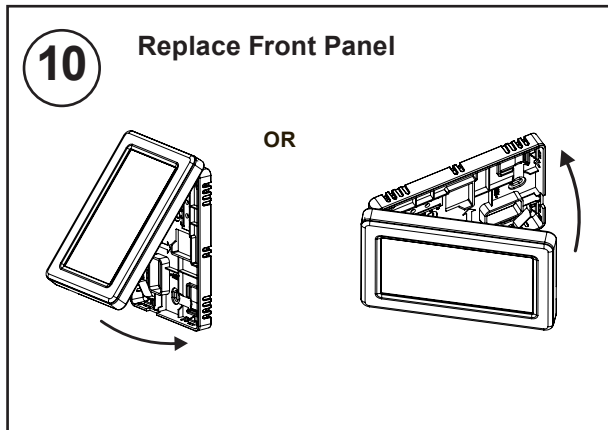
Adding the strategy block will automatically add the Wallbus Network module, and create an instance of the Wallbus Interface module.

The strategy block configures the inputs and outputs of the Wallbus Interface module - see See RV-WMB Data Sheet (TA201354). This configuration should be suitable for most applications. If different functionality is required the strategy will need to be modified after the strategy block has been added.

Manual configuration:

- Add the Wallbus Network module to the strategy (default values will be suitable).
- Add a Wallbus Interface module to the strategy.
- Set the Wallbus Interface module's 'Address' parameter to the RV-WMB's address on the Wallbus.
- Set up the Wallbus Interface module's input and output connections to specify the PV (PV Index) in the RV-WMB that they are to be linked to as well as their other parameters. The RV-WMB's PVs are described in the RV-WMB Data Sheet (TA201354).
- Link the Wallbus Interface module's inputs and outputs to the required modules in the strategy.

For details of the Wallbus Network and Wallbus Interface modules see the IQeco Configuration Manual (TG201089) or IQ4 Configuration Manual (TE201263).



3 INSTALLATION (continued)

12 Check Connection to Controller

RV-WMB-TH

Firmware Revision 0.5.1

Wall Bus Address 2

Serial Number 1517xxxxxx

Wall Bus Address 2

Serial Number 1517xxxxxx

Make a note of this default PIN for step 13 (e.g. 1517)

Communication error display after 3 to 6 mins failing to communicate with controller.

'Communication error'

ERR

'Home' display

22.5°C

13 Enter Settings Menu

Enter PIN

Default PIN is part of serial number displayed on start up, noted in step 12.

5s

Settings Menu

Set PIN

Homescreen

Setpoint Type

14 Change Default PIN

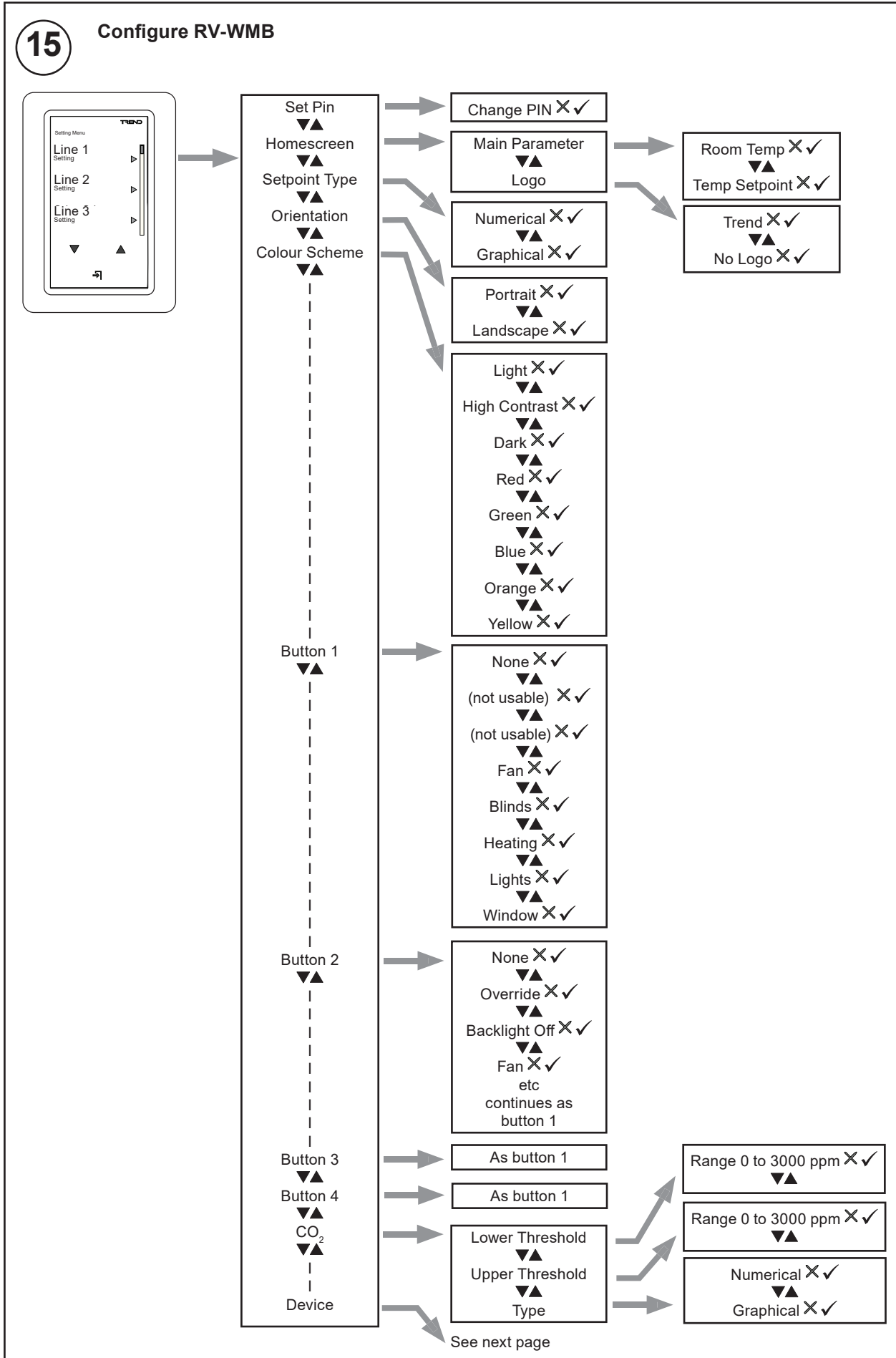
Enter New PIN (4 digits)

The PIN **MUST** be changed from the default to protect from unauthorised changes - all 4 digits cannot be '0'.

Ensure PIN is securely recorded.

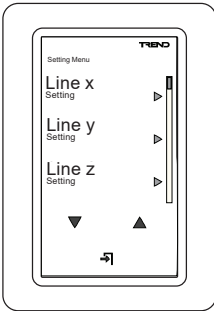
If PIN is forgotten, contact Trend Technical Support

3 INSTALLATION (continued)



3 INSTALLATION (continued)

15 Configure RV-WMB (continued)



- Firmware Version (Read only)
- Factory Configuration (Read only)
- Device Address
- Upgrade Firmware
- Save Configuration
- Load Configuration.

Range 2 to 15

See Step 8

Upgrade firmware from SD card - see page 7.

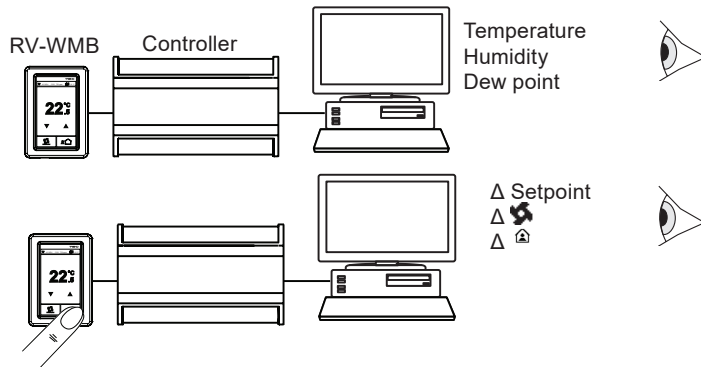
Save Configuration to SD card

Load Configuration From SD card

Icon	Description
▼	Scroll down/next value
▲	Scroll up/previous value
⏪	Exit Settings menu

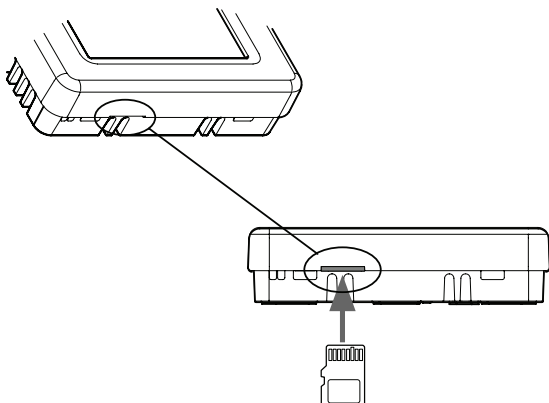
Icon	Description
✗	Reject change
✓	Accept change

16 Check System (as appropriate)



4 UPGRADE FIRMWARE

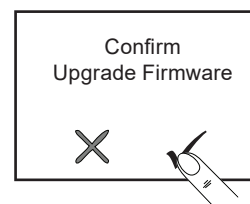
1 Insert SD Card into RV



2 Select Upgrade Firmware

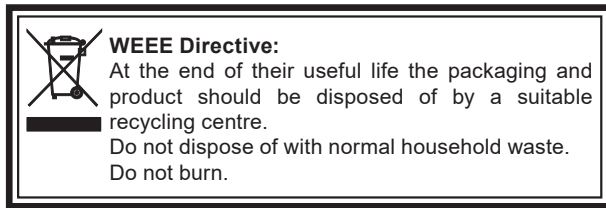
Enter Settings Menu - see section 3 step 13
 Select Upgrade Firmware - see section 3 step 15

3 Confirm Upgrade



Note: Unit will reboot after upgrade

5 DISPOSAL



6 SECURITY

RV must have its security correctly configured to reduce the risk of unauthorised access.

The advice described in the following sections must be followed.

Adopting normal installation and security best practice guidelines can mitigate the risk of a malicious IT attack from a skilled and equipped IT individual.

Security Checklist

- Physical access to wallbus cabling restricted
- RV running latest release of firmware.
- RV PIN (change from default).

Developing a Security Program

Not applicable to RV.

Disaster Recovery Planning

When developing the disaster recovery plan you should ensure that the RV configuration files are backed up to a micro-SD card and the PIN is securely recorded.

Physical and Environmental Considerations

Ensure physical access to wallbus cabling restricted (e.g. embed the cable in the wall)

Security Updates and Service Packs

Ensure the RV is running the latest release of firmware. Firmware files are available from Trend PNet web site at <https://partners.trendcontrols.com>.

Virus Protection

Not applicable to RV.

Network Planning and Security

Not applicable to RV.

Virtual Environments

Not applicable to RV.

Securing Wireless Devices

Not applicable to RV.

System Monitoring

Not applicable to RV.

Windows Domains

Not applicable to RV.

Securing Access to the Operating System

Not applicable to RV

Please send any comments about this or any other Trend technical publication to techpubs@trendcontrols.com

© 2020 Honeywell Products and Solutions SARL, Connected Building Division. All rights reserved. Manufactured for and on behalf of the Connected Building Division of Honeywell Products and Solutions SARL, Z.A. La Pièce, 16, 1180 Rolle, Switzerland by its Authorized Representative, Trend Control Systems Limited.

Trend Control Systems Limited reserves the right to revise this publication from time to time and make changes to the content hereof without obligation to notify any person of such revisions or changes.

Trend Control Systems Limited

St. Mark's Court, North Street, Horsham, West Sussex, RH12 1BW, UK. Tel: +44 (0)1403 211888, www.trendcontrols.com



TR CU Certification