

# MERLIN Room Controller

# MOUNTING INSTRUCTIONS

<b>E</b> Keep these instructions together with the device or with the equipment documentation!	<b>F</b> Cette instruction est à conserver avec le contrôleur ou avec la documentation de l'installation !	<b>P</b> Guarde estas instruções junto do regulador ou junto da documentação da instalação!
<b>D</b> Diese Anleitung ist beim Gerät oder in der Anlagendokumentation aufzubewahren!	<b>I</b> Queste istruzioni devono essere conservate insieme al lettore o con la documentazione dell'impianto!	<b>S</b> Denna instruktion skall förvaras tillsammans med regler eller anläggningsdokumentationen!
<b>DK</b> Opbevar denne vejledning sammen med regler eller med anlægsgodkendelsen!	<b>N</b> Denne vejledningen skal opbevares sammen med regler eller anlæggsdokumentationen!	<b>FI</b> Tätä ohjetta tulee säilyttää laitteen läheisyydessä tai yhdessä muiden dokumenttien kanssa!
<b>ES</b> Conserve estas instrucciones con el recalar o con la documentación de la instalación.	<b>NL</b> Deze handleiding moet bij de regelaar, of met de documentatie van de installatie worden bewaard!	<b>PL</b> Instrukcję obsługi należy przechowywać przy urządzeniu albo w dokumentacji technicznej.

**0A. INCL. IN DELIVERY**

MERLIN Room Controllers  
MOUNTING INSTRUCTIONS  
(MU1Z-1015GE51)

**0B. STORAGE + OPERATION**

-20 ... +70 °C

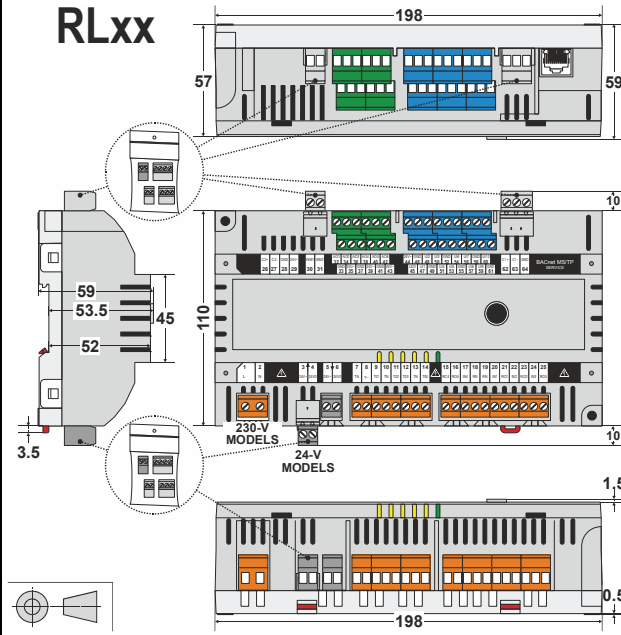
0 ... +50 °C

95% RH

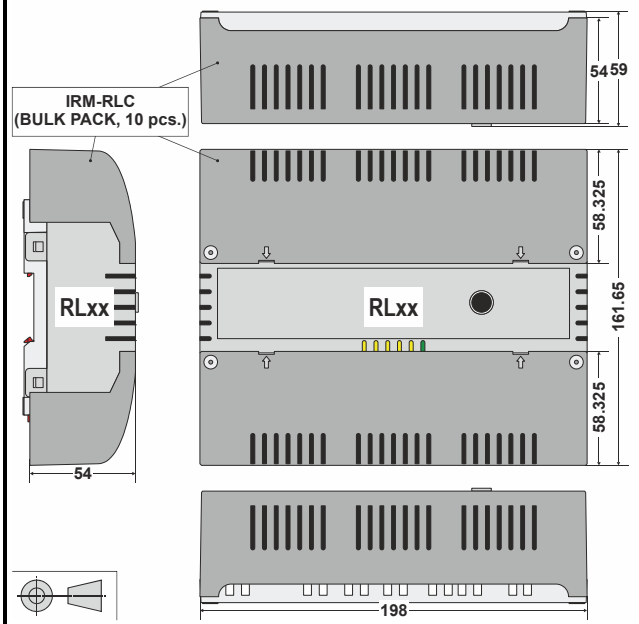
0% RH

0C. DIMENSIONS

RLxx

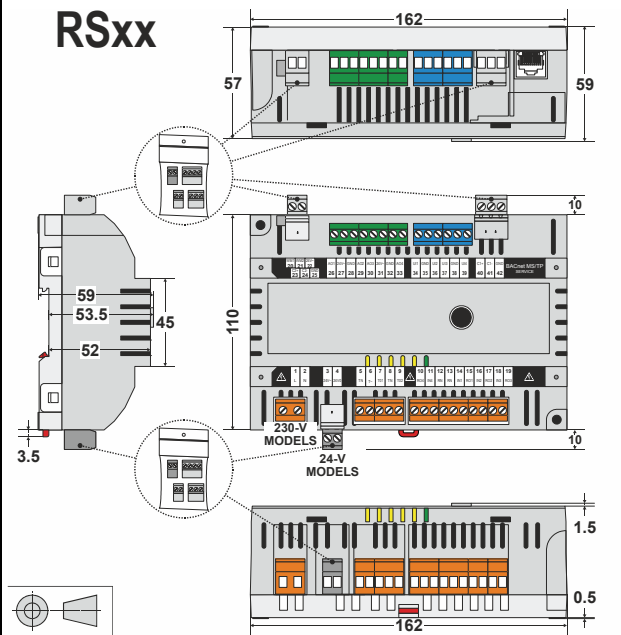


0D. OPTIONAL, FOR IP30

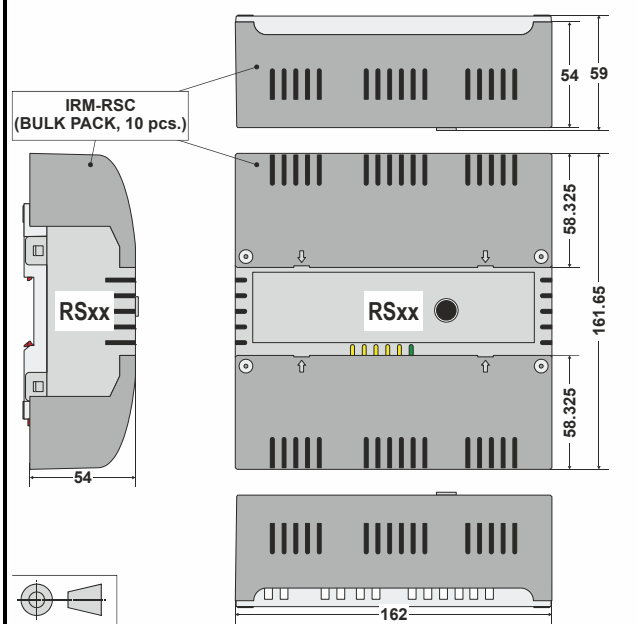


0E. DIMENSIONS

RSxx

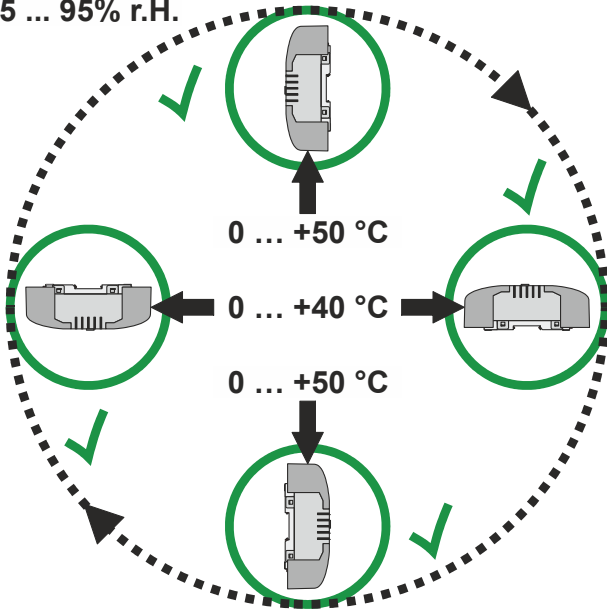


0F. OPTIONAL, FOR IP30

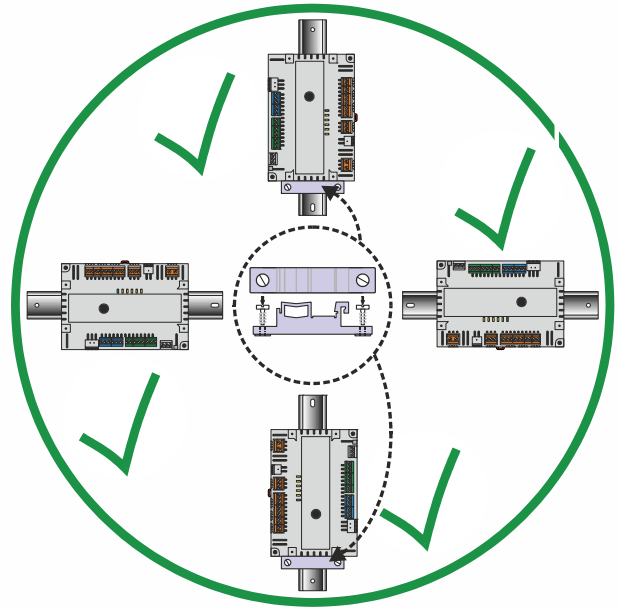


**0G. PERMISSIBLE ORIENTATIONS**

5 ... 95% r.H.



**0H. DIN RAIL END STOP**



**0I. SEE ALSO**

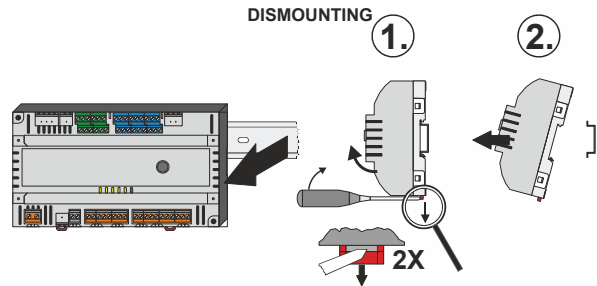
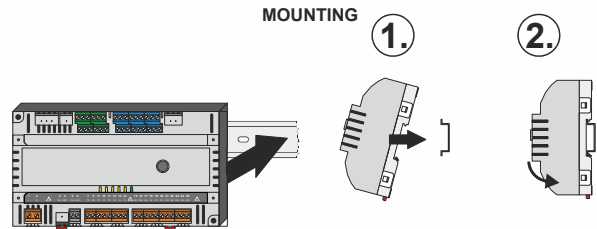


➔ **MERLIN ROOM CONTROLLER...**  
 ● DATA SHEET (EN0Z-1015GE51)  
 ● INSTALLATION & COMM. INSTRUCTIONS (EN1Z-1015GE51)

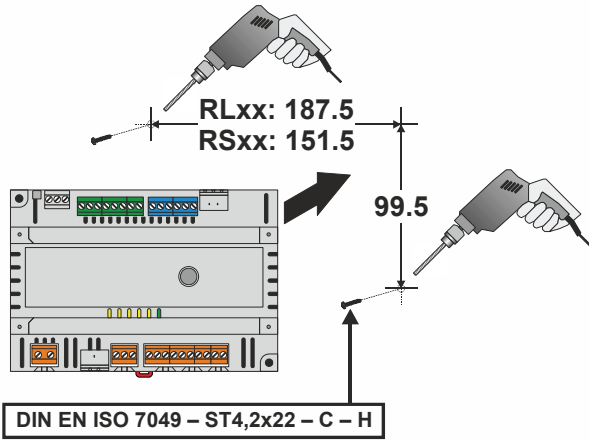


➔ **BACnet WiFi Adapter...**  
 ● PRODUCT DATA (EN0B-0733GE51)  
 ● MOUNTING & OPER. INSTRUCTIONS (MU1B-0592GE51)

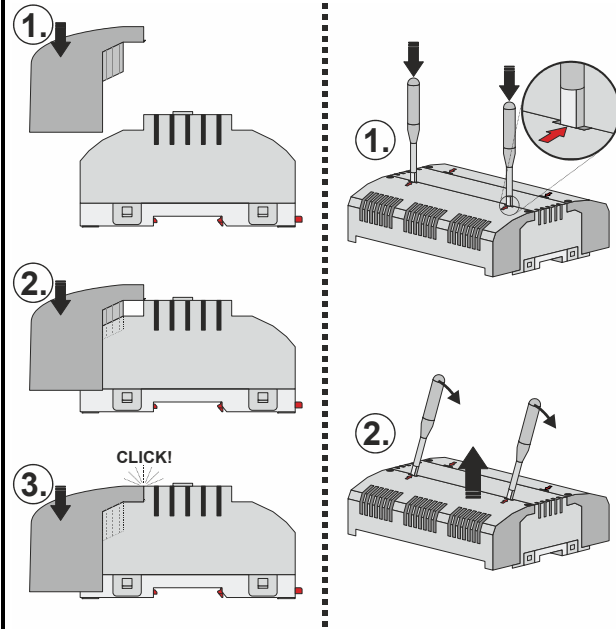
**1. DIN RAIL MOUNTING**



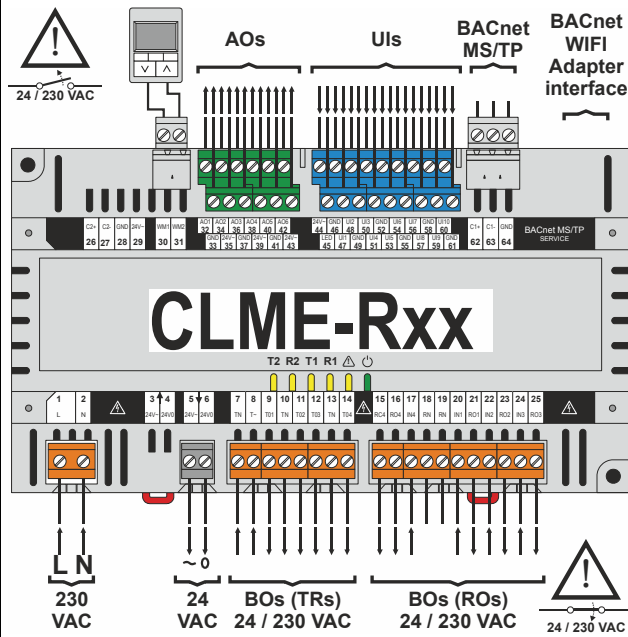
**2. WALL MOUNTING**



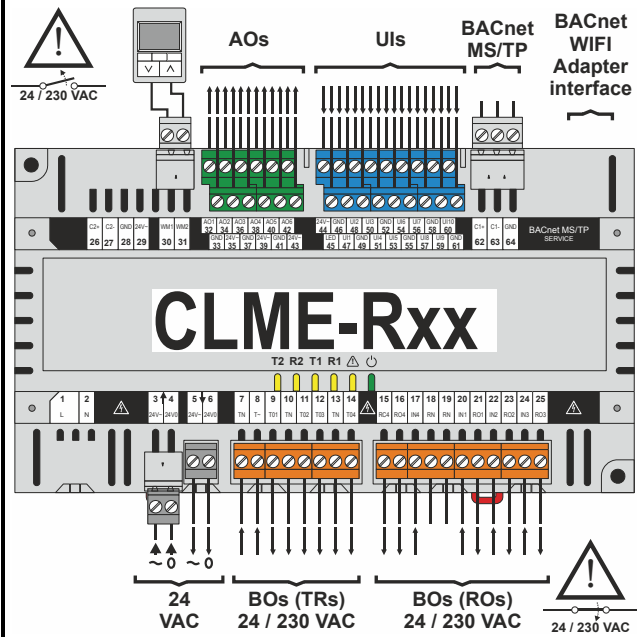
**3. MOUNTING + DISMOUNTING IRM-RxC**



**4A. WIRING (230-V MODELS)**



**4B. WIRING (24-V MODELS)**



(THIS PAGE LEFT INTENTIONALLY BLANK.)

## SPECIFICATIONS OF CONTROLLER

<b>Power supply, power consumption, and current consumption</b>	See MERLIN Room Controllers – Installation Instructions (EN1Z-1015GE51)
<b>Ambient temperature</b>	See picture 0G.
<b>Storage temperature</b>	See picture 0B.
<b>Humidity</b>	5 ... 95% r.h. non-condensing
<b>Dimensions</b>	See pictures 0C, 0E.
<b>Degree of protection</b>	IP20 IP30 (when mounted with accessory IRM-RSC or IRM-RLC)

## RECOMMENDATIONS AND RULES

- ▶ Rules regarding electrostatic discharge should be followed.
- ▶ If the device is modified in any way, except by the manufacturer, all warranties concerning operation and safety are invalidated.
- ▶ Make sure that the local standards and regulations are observed at all times. Examples of such regulations are VDE 0800 and VDE 0100 or EN 60204-1 for earth grounding.
- ▶ Use only accessory equipment which comes from or has been approved by Honeywell.
- ▶ It is recommended that the device be kept at room temperature for at least 24 hours before applying power. This is to allow any condensation resulting from low shipping / storage temperatures to evaporate.
- ▶ The device must be installed in a manner (e.g., in a lockable cabinet) ensuring that uncertified persons have no access to the terminals.
- ▶ Do not open the device, as it contains no user-serviceable parts inside!
- ▶ The device is suitable for mounting in fuse boxes conforming to standard DIN 43880, and having a slot height of max. 45 mm.
- ▶ The device is suitable for panel rail mounting on 35 mm standard panel rail (both horizontal and vertical rail mounting possible) – see pictures 0G and 0H.

## RELAY SPECIFICATIONS



### CAUTION

RISK OF ELECTRICAL SHOCK OR EQUIPMENT DAMAGES! It is not permitted to combine low voltage and line voltage in the relay block.

## STANDARDS, APPROVALS, ETC.

**PURPOSE OF CONTROL:** OPERATING CONTROL and multifunctional non-safety control intended for HVAC in home (residential, commercial, and light-industrial) environments

- UL 60730-1, Standard for Automatic Electric Controls for Household and Similar Use, Part 1: General Requirements;
- CAN/CSA-E60730-1:02, Standard for Automatic Electrical Controls for Household and Similar Use, Part 1: General Requirements;
- Complementary listing for UL916, CSA C22.2 No. 205;
- BTL-listed, BACnet AAC profile;
- SASO-approved;
- CE-approved;
- FCC part 15B-compliant.

**CONSTRUCTION OF CONTROL:** Independently mounted electronic control unit with fixed wiring. Panel-mounted on a DIN rail.

**SHOCK PROTECTION:** Class II.

**POLLUTION DEGREE:** 2.

**RATED IMPULSE VOLTAGE:**

- 230 V circuits: 2500 V
- 24 V circuits: 500 V

**TYPE OF ACTION:** Type 1.C.

**SOFTWARE CLASS:** A.

**NOTE:** Keep AC mains supply/load cables separate from signal wiring!

Manufactured for and on behalf of the Environmental & Energy Solutions Division of Honeywell Technologies Sàrl, Rolle, Z.A. La Pièce 16, Switzerland by its Authorized Representative:

Centraline  
Honeywell GmbH  
Böblinger Strasse 17  
71101 Schönaich, Germany  
Phone +49 (0) 7031 637 845  
Fax +49 (0) 7031 637 740  
[info@centraline.com](mailto:info@centraline.com)  
[www.centraline.com](http://www.centraline.com)

Subject to change without notice  
MU1Z-1015GE51 R0317D



by Honeywell