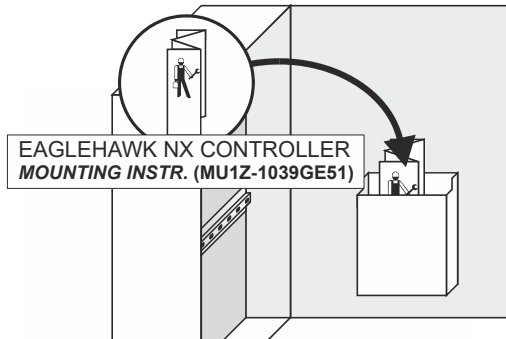


EAGLEHAWK NX Controller

MOUNTING INSTRUCTIONS

E Keep these instructions together with the device or with the equipment documentation!	F Cette instruction est à conserver avec le contrôleur ou avec la documentation de l'installation !	P Guarde estas instruções junto do regulador ou junto da documentação da instalação!
D Diese Anleitung ist beim Gerät oder in der Anlagendokumentation aufzubewahren!	I Queste istruzioni devono essere conservate insieme al lettore o con la documentazione dell'impianto!	S Denna instruktion skall förvaras tillsammans med regler eller anläggningsdokumentationen!
DK Opbevar denne vejledning sammen med regler eller med anlægsdokumentationen!	N Denne vejledningen skal opbevares sammen med regler eller anlægsdokumentationen!	FI Tätä ohjetta tulee säilyttää laitteen läheisyydessä tai yhdessä muiden dokumenttien kanssa!
ES Conserve estas instrucciones con el recalar o con la documentación de la instalación.	NL Deze handleiding moet bij de regelaar, of met de documentatie van de installatie worden bewaard!	PL Instrukcję obsługi należy przechowywać przy urządzeniu albo w dokumentacji technicznej.

0A: INFO!

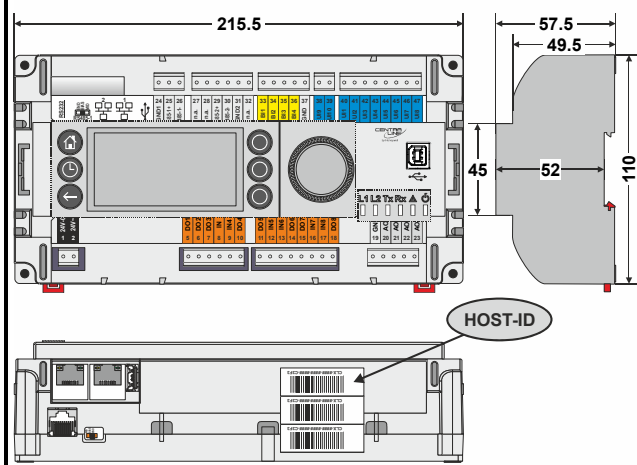


EAGLEHAWK NX CONTROLLER MOUNTING INSTR. (MU1Z-1039GE51)

LICENSING INFORMATION
TO OBTAIN THE PURCHASED LICENSE, GO TO www.niagara-central.com AND THEN LOG IN, ENTER YOUR HOST-ID, AND DOWNLOAD THE LICENSE.

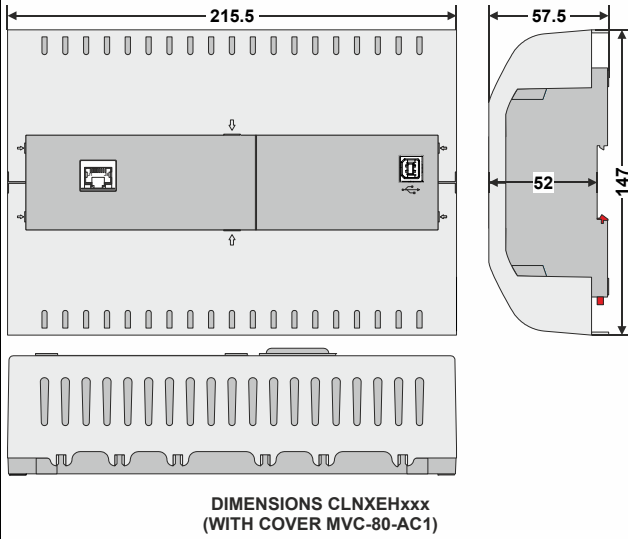
www.centraline.com
EAGLEHAWK NX CONTROLLER...
● PRODUCT DATA (EN0Z-1039GE51)
● INSTALLATION & COMM. INSTRUCTIONS (EN1Z-1039GE51)
● 3rd-PARTY SOFTWARE LICENSES (EN2Z-1041GE51)
● GENERAL SECURITY BEST PRACTICES (EN0Z-1040GE51)

0B: DIMENSIONS CLNXEHxxx (WITHOUT COVER)

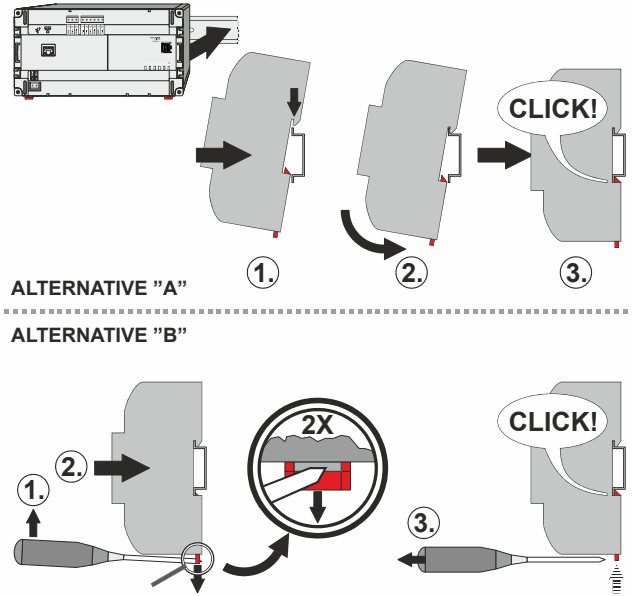


DIMENSIONS CLNXEHxxx (WITHOUT COVER MVC-80-AC1)

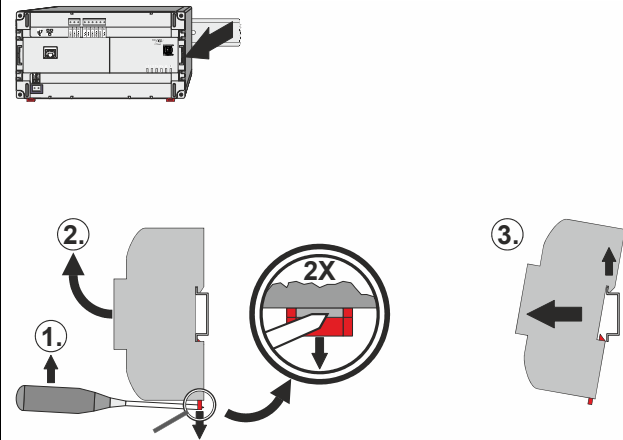
0C: DIMENSIONS CLNXEHxxx (WITH COVER)



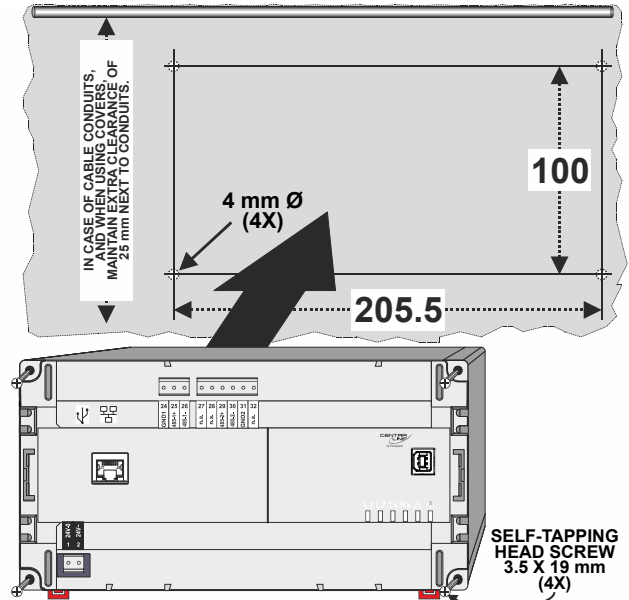
1A. DIN RAIL MOUNTING



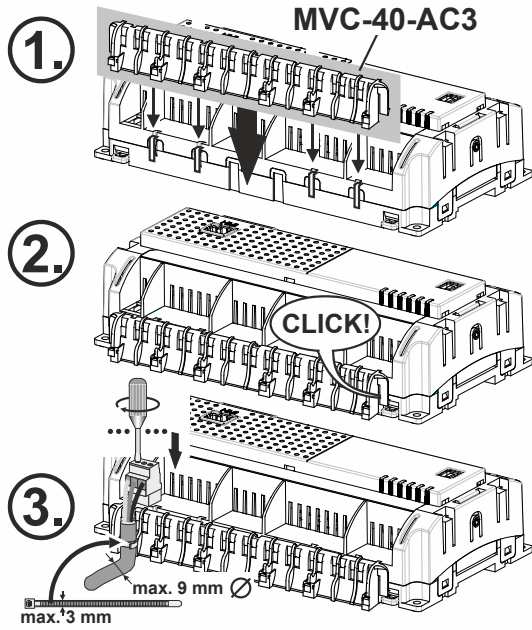
1B. DIN RAIL DISMOUNTING



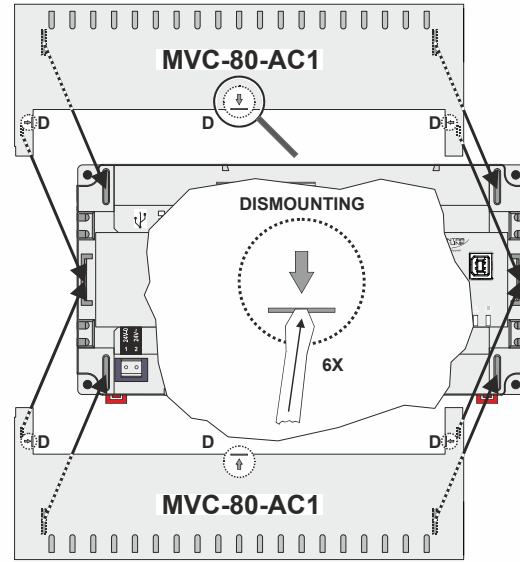
2. WALL MOUNTING



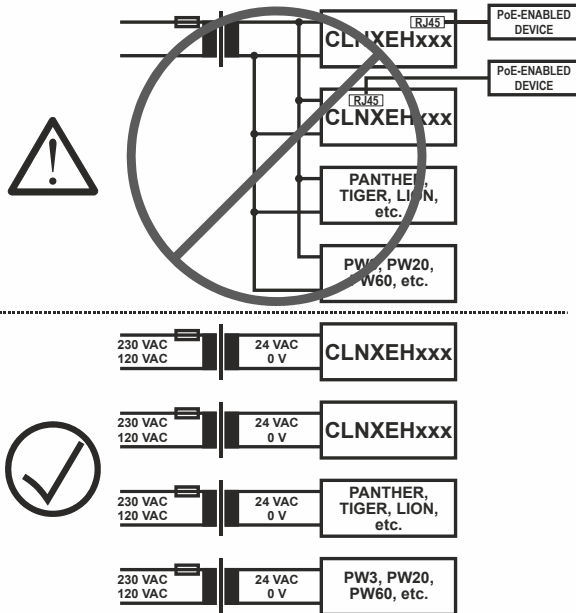
3. MOUNTING STRAIN RELIEF



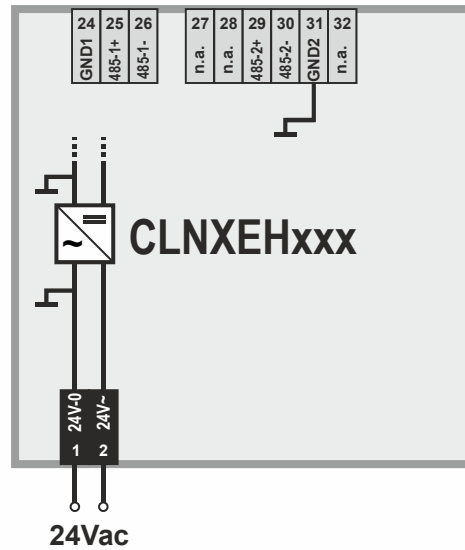
4. MOUNTING/DISMOUNTING COVERS



5A. WIRING



5B. WIRING




SPECIFICATIONS OF CONTROLLER

Power supply	19 ... 29 VAC, 50/60 Hz, or 20 ... 30 VDC
Power consumption	typically DC: 7 W; max. 9 W typically AC: 10 VA; max. 12 VA
Current consumption	typically DC: 300 mA; max. 375 mA typically AC: 400 mA; max. 500 mA
Heat dissipation	max. 6 W at DC power supply, max. 11 W at AC power supply
Ambient temperature	0 ... 40 °C (wall-mounting) 0 ... 50 °C (cabinet/door mounting)
Storage temp.	-20 ... +70 °C
Humidity	5 ... 95% r.h. non-condensing
Dimensions	See pictures 0B, 0C.
Degree of protection	IP20 (mounted on walls, with two accessory MVC-80-AC1 covers)
Fire class	V0

CABLE SPECS, PUSH-IN TERMINALS

plug gauge	0.2 ... 1.50 mm ²
solid conductor H05(07) V-K	
stranded conductor H05(07) V-K	
stranded conductor with wire end ferrules (w/o plastic collar)	
stripping length	10.0 +1.0 mm

WEEE DIRECTIVE

WEEE: Waste Electrical and Electronic Equipment Directive	
	<ul style="list-style-type: none"> ▪ At the end of the product life, dispose of the packaging and product in an appropriate recycling center. ▪ Do not dispose of the device with the usual domestic refuse. ▪ Do not burn the device.

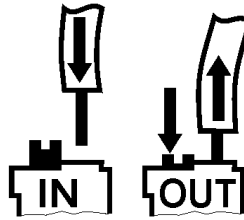
NETWORK SECURITY

Honeywell hereby expressly states that the EAGLEHAWK NX is not inherently protected against cyber attacks from the Internet and that it is therefore intended solely for use in private, protected networks. For more information, see also section "Network Security" of **EAGLEHAWK NX Controller – Product Data (EN0Z-1039GE51)** and **General Security Best Practices – Security Document (EN0Z-1040GE51)**.

For fixes, guidance, patches, etc., see also:

<https://www.tridium.com/en/support/products/technical-bulletins>

WIRING PUSH-IN TERMINAL PLUGS




use **Cu** only

STANDARDS, APPROVALS, ETC.

Purpose of the device is: multifunctional non-safety control intended for HVAC in home (residential, commercial, and light-industrial) environments
Device meets EN 60730-1, EN 60730-2-9, UL60730, and UL916.
Independently mounted electronic control unit with fixed wiring.
Shock protection: Class II.
Pollution degree: 2.
Installation: Class 3
Rated impulse voltage: 300 V for SELV, 2500 V for relay outputs
Type of action: Type 1.C.
Software Class: A.
Ball-pressure test temperature: housing parts > 75 °C terminals > 125 °C
NOTE: Keep AC mains supply/load cables separate from signal wiring!

Manufactured for and on behalf of the Environmental & Energy Solutions Division of Honeywell Technologies Sàrl, Rolle, Z.A. La Pièce 16, Switzerland by its Authorized Representative:

CentraLine Honeywell GmbH Böblinger Strasse 17 71101 Schönaich, Germany Phone +49 (0) 7031 637 845 Fax +49 (0) 7031 637 740 info@centraline.com www.centraline.com	Subject to change without notice MU1Z-1039GE51 R0418A	
--	--	---