

**450 ANT AX**  
Easyclick Aerial Module  
Installation & operating instructions



The aerial module is part of the PEHA Easyclick (EC) system. The aerial module was developed as a gateway between the PEHA Easyclick EnOcean products and the Centraline HAWK controller. The communication protocol between HAWK controller and the aerial module gateway is defined in a special software driver what is available for the Arena AX software.

The signals are transmitted over the European harmonized frequency 868.3 MHz

The Easyclick aerial module receives and checks the EnOcean radio telegrams from EnOcean radio transmitters and EnOcean repeaters within the transmission range. The radio telegrams are forwarded through the RS485 bus to the HAWK. Similarly, any RS485 Message from the Hawk shall be broadcasted on the EnOcean network.

- Receive and transmit radio telegrams (bi-directional)
- Any number of radio transmitters can be received
- Max 50 EnOcean Devices (1 channel) per system.
- Max 32 antennas per HAWK in the RS485 bus.
- EnOcean TCM 300 (Dolphin Inside)

**Notes:**

- Read through the operating instructions carefully before putting the device into service.
- The aerial module must be connected to ensure full functionality of the system.

**LED Displays**

LED Off	No reception of RS485 messages
LED blinks green	Reception of RS485 Ping Messages from Hawk

**Safety**

This device is only intended to be used for its stated application. Unauthorized conversions, modifications or changes are not permissible! This device may not be used in conjunction with other devices whose operation could present a hazard to people, animals or property.

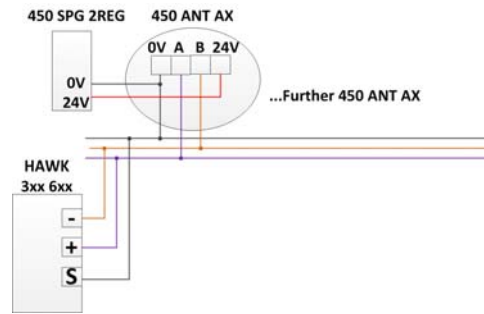
The following must be observed:

- Prevailing statutes, standards and regulations.
- State-of-the-art technology at the time of installation
- The device's operating instructions.
- Operating instructions can only cite general stipulations. These are to be viewed in the context of a specific system

**Operation**

In Order to ensure the Antenna is powered ON, press the On Board button for 2 seconds. The Antenna beeps for a second and green LED blinks on the Antenna.

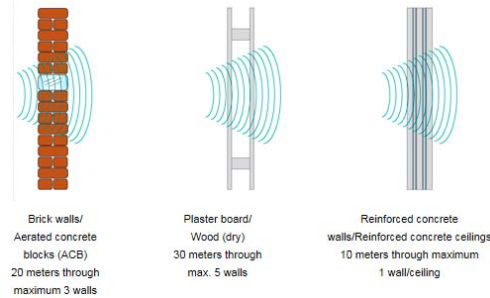
**Wiring Diagram:**



**Technical Specifications**

Power supply	Nom. 24 V DC (SELV)
Modular System	(screw terminal 0V, A, B, 24V)
Own consumption	Standby = less than 0,5W Operation = max. 22 mA
Transmission frequency	868,3 MHz
Ambient temperature	0 to +40 °C
Storage temperature	-40 to +85°C
Screw terminals	max. 1 x 1.5 mm <sup>2</sup>
Housing	ABS, flame retardant
Test specifications	EN 60669
Identification	CE
Protection level	IP20
Dimensions	Ø 103 mm , height 24 mm

**Radio range**



Unobstructed in large rooms and halls: upto 100 m

**Contact**

Telephone:.....+49 (0)2351 185-0  
 Fax:.....+49 (0)2351 27666  
 Internet:.....www.peha.de  
 E-mail:.....peha@peha.de

**General Information**

**Disposal of the device**



Do not dispose of old devices in the household waste! The device must be disposed of in compliance with the laws and standards of the country in which it is operated! The device contains electrical components that must be disposed of as electronics waste. The enclosure is made from recyclable plastic.

**Warranty conditions**

These operating instructions are an integral part of both the device and our terms of warranty. They must be handed over to the user. The technical design of the appliance is subject to change without prior notification. PEHA products are manufactured and quality-checked with the latest technology according to applicable national and international regulations. Nevertheless, if a product should exhibit a defect, PEHA warrants to make remedy as follows (regardless of any claims against the dealer to which the end user may be entitled as a result of the sales transaction):

In the event of a justified and properly established claim, PEHA shall exercise its prerogative to either repair or replace the defective device. Further claims or liability for consequential damage are explicitly excluded. A justifiable deficiency is deemed to exist if the device exhibits a structural, manufacturing, or material defect that makes it unusable or substantially impairs its utility at the time it is turned over to the end user. The warranty does not apply to natural wear, improper usage, incorrect connection, device tampering or the effects of external influences. The warranty period is 24 months from the date of purchase by the end user from a dealer and ends not later than 36 months after the device's date of manufacture. German law shall be applicable for the settlement of warranty claims.

**Conformity declaration**

PEHA products may be sold and operated in EU countries as well as in CH, IS and N. PEHA herewith declares that the aerial module (450 ANT AX) is in compliance with the fundamental requirements and other relevant provisions of R&TTE Directive 1999/5/EC. The conformity declaration is available on the Internet at the following address: www.peha.de.



**PEHA Elektro GmbH & Co KG**

Daimlerstr. 4,  
 58553 Halver, Germany  
 Internet: www.peha.de