

Important: Retain these instructions

These instructions shall be used by trained service personnel only. If the equipment is used in a manner not specified by these instructions, the protection provided by the equipment may be impaired.

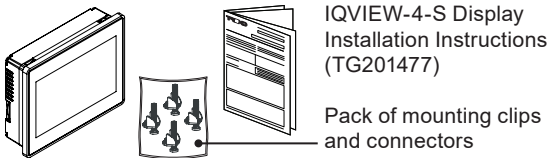


<https://partners.trendcontrols.com>

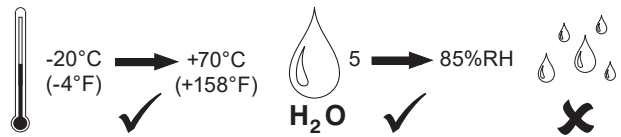
CONTENTS

1	Box Contents.....	1	4	Remove Display from Wall Mounting Box (R-BOX15).....	7
2	Storing.....	1	5	Field Maintenance.....	7
3	Installation.....	1	6	Disposal.....	8

1 BOX CONTENTS

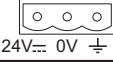



2 STORING



3 INSTALLATION

Labels used on the IQVIEW-4-S Display

 24V $\overline{=}$ 0V $\overline{\pm}$	Power Supply Input (24 Vdc)
	Earth/Ground Terminal
USB	Universal Serial Bus (<i>reserved for future use</i>)
COM	Serial Connector (<i>reserved for future use</i>)
LAN	Ethernet Port

It is recommended that the installation should comply with the local electrical safety installation practices (e.g. HSE Memorandum of Guidance on Electricity at Work Regulations 1989, USA National Electric Code).

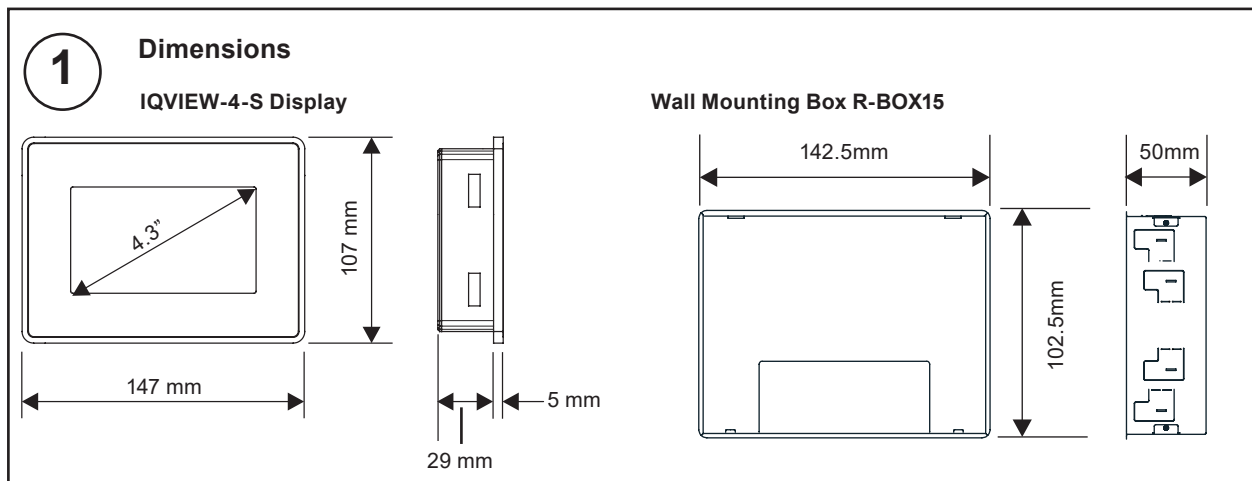
Any connected devices must be insulated from mains by reinforced insulation.

WARNING: Removal of cover exposes dangerous voltages.

To ensure the front panel protection classifications as marked on the product nameplate, you must install the IQVIEW-4-S on a flat surface of a Type 2, 4X enclosure, tightening the fixing brackets screws at 75Ncm for cut-out 136x96 mm (5.35in x 3.78in). Otherwise renouncing the aforementioned "front panel protection classification" follow the "Mount in wall installation".

CAUTION: For use in Pollution Degree 2 environments the maximum surrounding air temperature is 50°C.

CAUTION: For use in a controlled environment refer to the data sheet for environmental conditions.

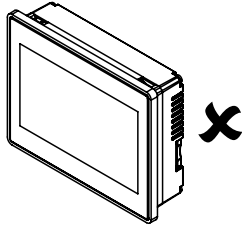


3 INSTALLATION (continued)

2 Location Requirements

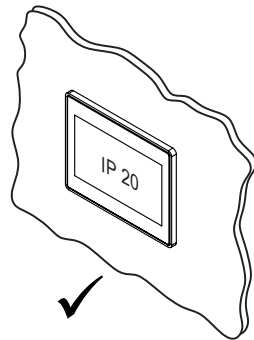
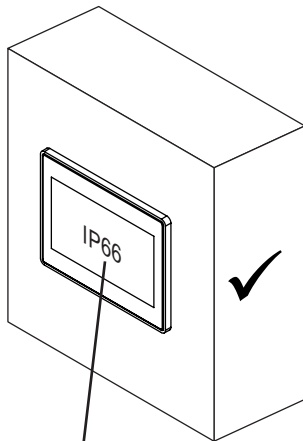
The IQVIEW-4-S display has been designed for use in an industrial environment in compliance with the 2014/30/EU directive.

This equipment, except for the front panel display, is an open-type device and is required to be installed in an enclosure suitable for the environment, or wall cavity such that the internal part of the equipment is only accessible with the use of a tool.



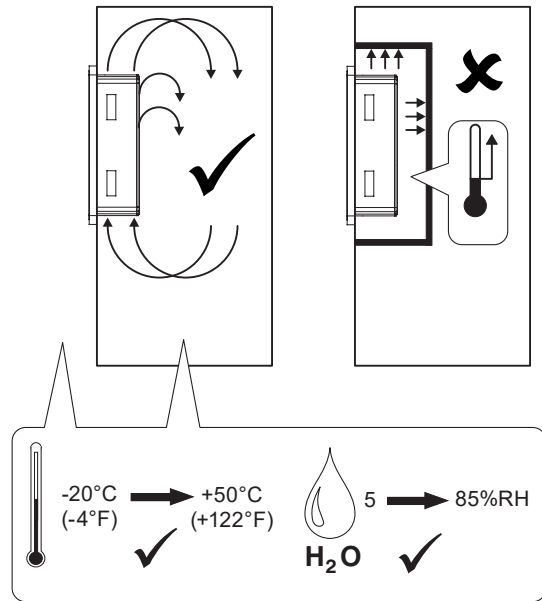
Panel Mounting

Wall Mounting



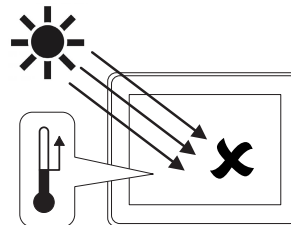
Location	IEC/EN 60529	NEMA 250
Non-Hazardous	≥IP54	Type 12 or 4X

CAUTION: To maintain the specified IP66 rating of the front panel, the IQVIEW-4-S display must be installed according to the requirements in steps 2, 3 and 4 of these instructions



The equipment shall only be used in an area of not more than pollution degree 2, as defined in IEC/EN 60664-1.

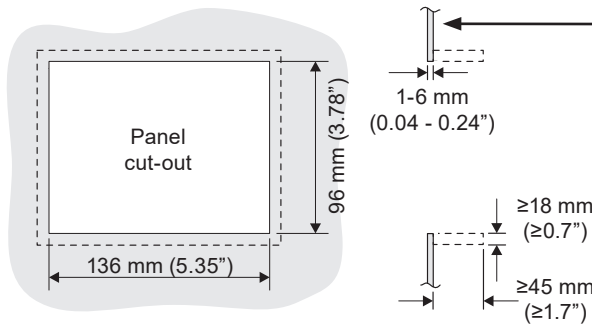
The equipment is not intended for installation in contact with corrosive chemical compounds. Check the resistance of the front panel to a specific compound before installation. See the IQVIEW SCD for IQ4 Data Sheet (TA201475) for details.



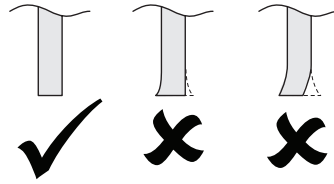
3 INSTALLATION (continued)

3 Mount in in Panel (if panel mounting)

Cut Mounting Aperture in Panel



Ensure that the panel material/construction is able to support the weight of the IQVIEW-4-S.



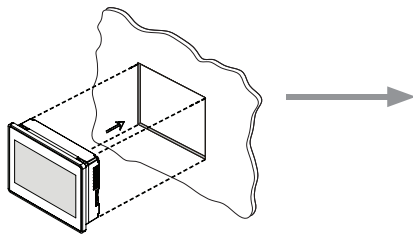
max deviation from the plane surface to the cut-out: $\leq 0.5\text{mm}$

max surface roughness where the gasket is applied: $\leq 120\ \mu\text{m}$

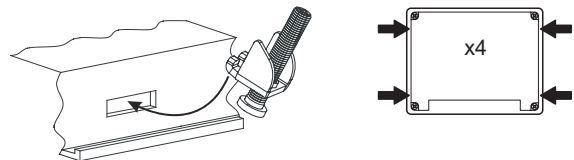
Ensure sufficient clearance behind the panel and around the aperture to allow for securing clips and adequate ventilation.

Secure IQVIEW-4-S Display to Panel

Insert the IQVIEW-4-S fully into the panel aperture

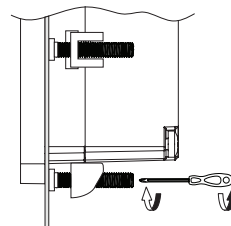


Locate the supplied retaining clamps into the slots around the rear sides of the IQVIEW-4-S display.



Tighten each clamp screw until the front bezel edge is in contact with the panel.

Recommended torque setting: 0.65 Nm (0.48 ft-lb)

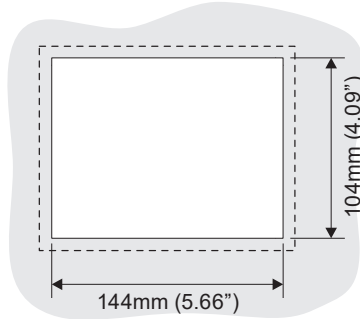


3 INSTALLATION (continued)

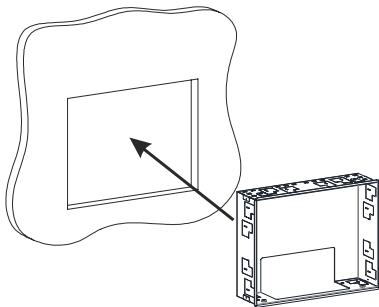
4 Mount in Wall (if wall mounting)

Plasterboard

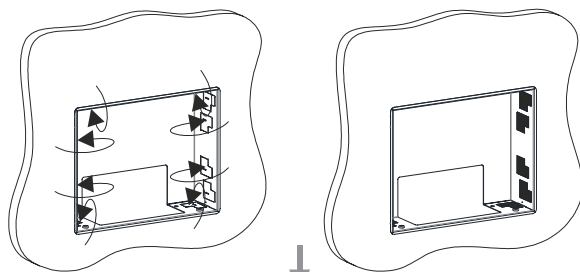
a) Cut Hole in Wall



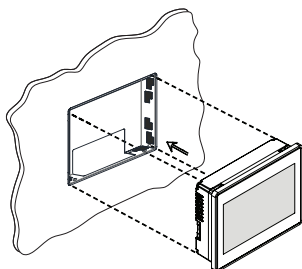
b) Insert Wall Mounting Box (R-BOX15)



c) Route Cables



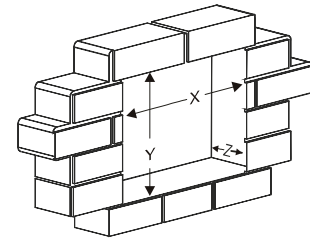
d) Insert IQVIEW4 Display



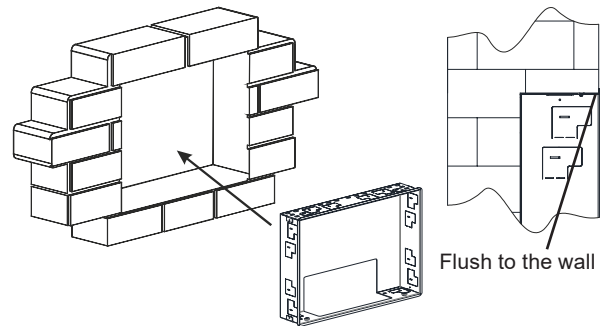
Brick

a) Cut Hole in Wall

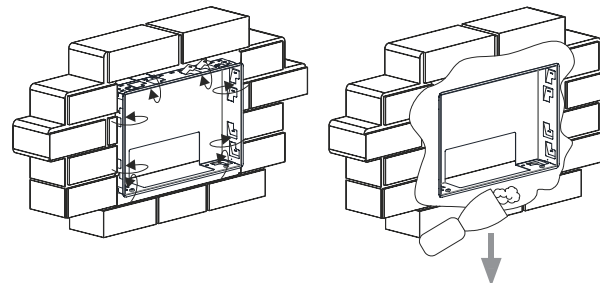
X=157mm/6.18"
Y=118mm/4.64"
Z=60mm/2.36"



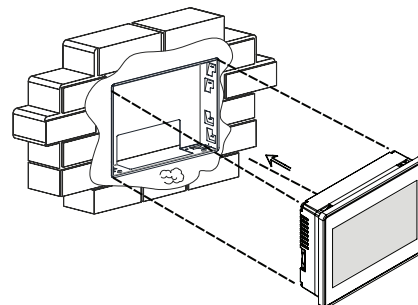
b) Insert Wall Mounting Box (R-BOX15)



c) Route Cables



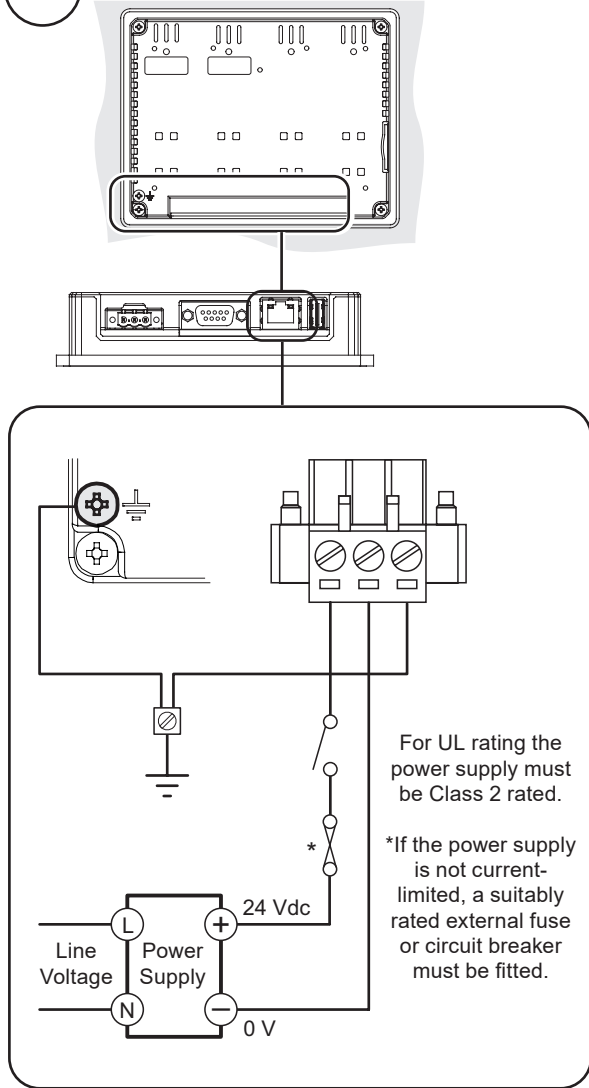
d) Insert IQVIEW4 Display



3 INSTALLATION (continued)

5

Connect Power Supply





WARNING: Isolate mains supply before making connections

Supply voltage	24 Vdc (10 to 32 Vdc)
Current consumption (maximum @ 24 Vdc)	0.25 A
Terminal size	0.2 to 2.5 mm ² (26 to 12 AWG).
Terminal screw torque	0.4 to 0.5 Nm (3.5 to 4.4 lbf-in).
Cable size	1.3 mm ² (14 AWG) minimum, 2.5 mm ² (12 AWG) maximum.
Cable operating temperature	≥105°C (221°F)

The supply must include a suitably rated switch in close proximity and be clearly marked as the disconnecting device for the unit. Do not position the equipment so that the disconnecting device is difficult to operate.

The power supply must have double or reinforced insulation.

Recommended power supply is DCPSU-24. For further details see DCPSU-24 Data Sheet (EN0B-0736) and DCPSU-24 Installation Instructions (EN1B-0596).

The power supply circuit may be floating (as per the diagram) or grounded. In the latter case, connect the power source common (0V) directly to ground.

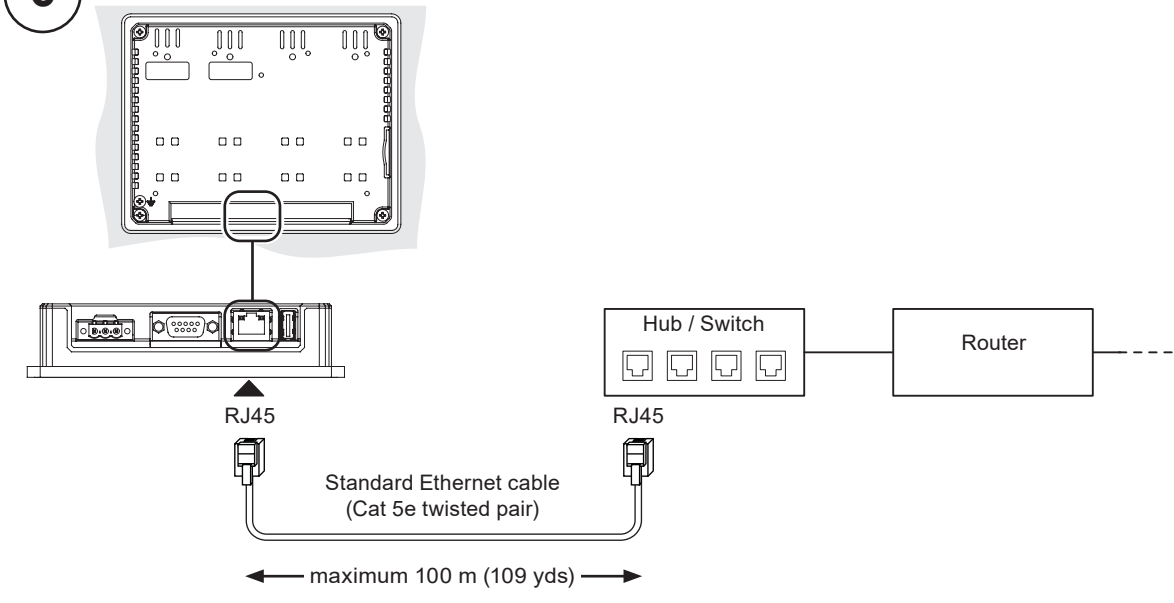
When using the floating power scheme, note that the panel internally connects the power common to ground via a 1MΩ resistor in parallel with a 4.7nF capacitor.

Transient protection shall be provided that is set at a level not exceeding 140% of the peak rated voltage value at the supply terminals to the equipment.

All the electronic devices in the control system must be properly grounded. Grounding must be performed according to applicable regulations.

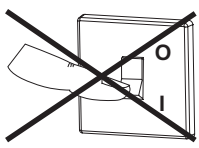
6

Connect Ethernet



3 INSTALLATION (continued)

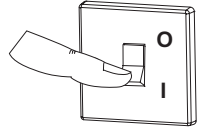
7 Before Switching On Power



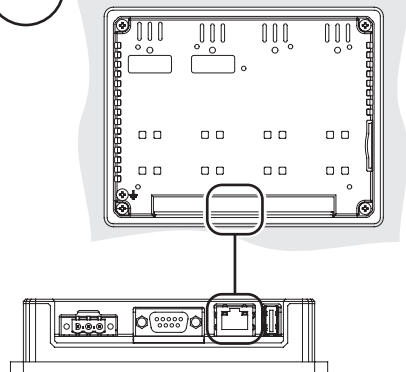
Remove protective film from touchscreen.

Clean the IQVIEW-4-S front panel a damp cloth to remove any dust that may cause an electrostatic discharge.

8 Switch on Power to IQVIEW-4-S



9 Check Ethernet Connectivity (if required)




Data (Green LED)	
ON	No activity
BLINKING	Activity

Link (Yellow LED)	
OFF	No link detected
ON	Link OK

10 Check Display

Wait for default login screen...

CAUTION: Do not use tools of any kind (screwdrivers, etc.) to operate the IQVIEW-4-S touch screen.



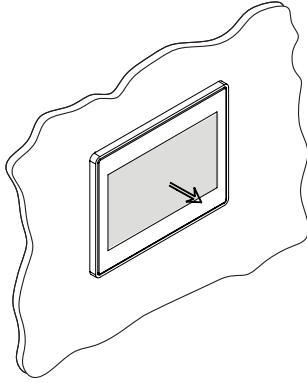
45s 10s

11 Configure IQVIEW-4-S Display



[IQVIEW Single Display for IQ4 Manual \(TE201476\)](#)

4 REMOVE DISPLAY FROM WALL MOUNTING BOX (R-BOX15)



5 FIELD MAINTENANCE

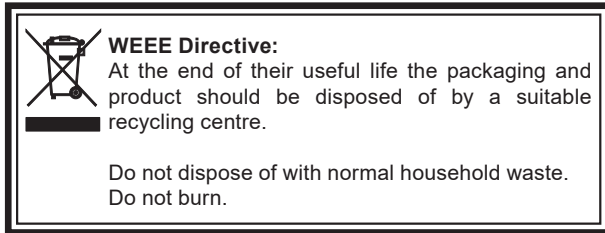
Do not allow layers of dust or other contaminants to form on the front panel of the IQVIEW-4-S: it must be cleaned regularly with a soft cloth and neutral soap product. Do not use solvents.

Disconnect power before carrying out any cleaning.



WARNING: Contains no serviceable parts. Do not attempt to open the unit. Failure to comply may cause damage to the unit.

6 DISPOSAL



Please send any comments about this or any other Trend technical publication to techpubs@trendcontrols.com



© 2022 Honeywell Products and Solutions SARL, Connected Building Division. All rights reserved. Manufactured for and on behalf of the Connected Building Division of Honeywell Products and Solutions SARL, Z.A. La Pièce, 16, 1180 Rolle, Switzerland by its Authorized Representative, Trend Control Systems Limited.

Trend Control Systems Limited reserves the right to revise this publication from time to time and make changes to the content hereof without obligation to notify any person of such revisions or changes.

Trend Control Systems Limited

St. Mark's Court, North Street, Horsham, West Sussex, RH12 1BW, UK. Tel: +44 (0)1403 211888, www.trendcontrols.com