

TC810RW1000(CDN) Wireless Relay Module

SPECIFICATIONS

Maximum Operating Voltage:	3.3 VDC
Maximum Current Draw:	5.0 mA (LED on)
Average Operating Current:	210 μ A
Maximum Transmit RF Power:	17 dBm
Radio Frequency Range:	902-928 MHz
Temperature Range:	32°F to 120°F (0°C to 49°C)
Humidity:	10% to 93% Non-condensing
Battery Type:	4 Panasonic CR123A or 4 Duracell DL123A
Battery Life:	2 year minimum
Battery Replacement:	Upon TROUBLE BATTERY LOW display and/or during annual maintenance
Dimensions:	4¼in. H x 4¼in. W x 1½in. D (11.43 cm H x 11.43 cm W x 3.81. D)
Accessories:	SMB500(-WH) electrical box (preferred mounting option)

RELAY CONTACT RATINGS

CURRENT RATING	MAXIMUM VOLTAGE	LOAD DESCRIPTION	APPLICATION
2 A	25 VAC	PF = 0.35	Non-coded
3 A	30 VDC	Resistive	Non-coded
2 A	30 VDC	Resistive	Coded
0.46 A	30 VDC	(L/R = 20ms)	Non-coded
0.7 A	70.7 VAC	PF = 0.35	Non-coded
0.9 A	125 VDC	Resistive	Non-coded
0.5 A	125 VAC	PF = 0.75	Non-coded
0.3 A	125 VAC	PF = 0.35	Non-coded

BEFORE INSTALLING

This information is included as a quick reference installation guide. Refer to the control panel installation manual and the *SWIFT® Wireless Manual* for detailed system information. If the modules will be installed in an existing operational system, inform the operator and local authority that the system will be temporarily out of service. Disconnect power to the control panel before installing the modules.

NOTICE: This manual should be left with the owner/user of this equipment.

GENERAL DESCRIPTION

The TC810RW1000(CDN) Relay Module is intended for use with a wireless gateway or wireless fire alarm control panel (FACP). It allows a compatible control panel to switch discrete contacts by code command. The relay contains one isolated set of Form-C contacts, which operate as a SPDT switch and are rated in accordance with the table in this manual. A single relay module may be used to activate only one output device. Circuit connections to the relay are not supervised by the module. The device communicates through a robust, bi-directional mesh network to the gateway and/or FACP. Rotary dial

switches are provided for setting the module's address. The module has a panel controlled LED indicator. (See Figure 1.)

FACEPLATE

The faceplate includes a magnet for activation and tamper resistance. (See Figure 2.) The faceplate magnet activates communication to the panel, therefore, the faceplate must be installed for the module to work properly. The magnet also activates a supervisory tamper fault at the panel if the nameplate is removed. Do NOT remove this magnet. The faceplate for a wireless module CANNOT be replaced with the faceplate of a standard wired module.

FIGURE 1. CONTROLS AND INDICATORS

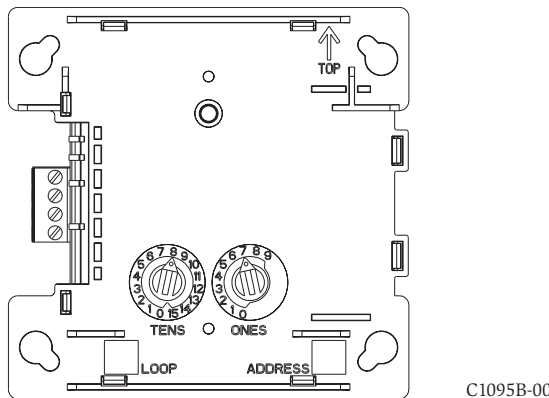
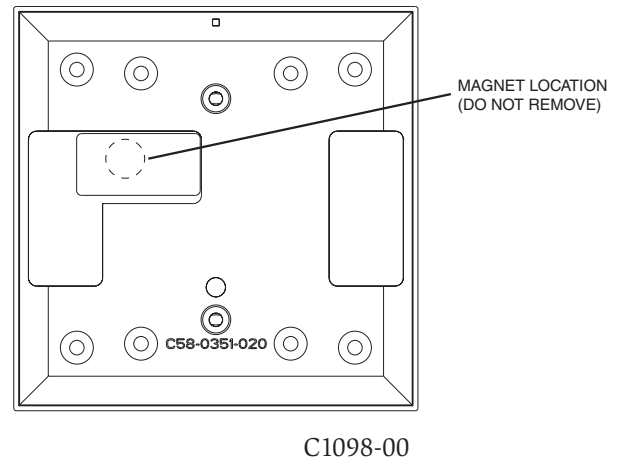


FIGURE 2. FACEPLATE INTERIOR



COMPATIBILITY REQUIREMENTS

To ensure proper operation, this module shall be connected to a compatible Honeywell system control panel (list available from Honeywell).

BATTERY REPLACEMENT

Low battery levels on the wireless devices are displayed as a trouble in the FACP. Therefore when the message “TROUBLE BATTERY LOW” is displayed, replace the battery in the device. This message is an indication that approximately one week of battery life remains.

To replace the batteries in a wireless device use the following steps:

1. Have 4 CR123A (or DL123A) batteries available
2. Remove the faceplate from the module.
3. Open the battery compartment. (See Figure 3.)
4. Remove the used batteries and replace with new batteries. The battery compartment is designed such that the batteries can only align in the appropriate direction. Do not force the batteries into the openings.
5. Replace the battery compartment cover.
6. Replace the faceplate.

MOUNTING

The TC810RW1000(CDN) mounts directly to an SMB500(-WH) electrical box. (See Figure 4.) To avoid interference with the wireless network metal electrical boxes are NOT recommended. Non-metal surface mounted electrical boxes (SMB500/SMB500-WH) are available from Honeywell. If not using an SMB500(-WH), the minimum mounting opening dimensions for the TC810RW1000(CDN) are 4 in. X 3 3/4 in. x 1 1/2 in. deep.

NOTE: Do not attach the module to temporary structures such that the placement could be altered.

WIRING

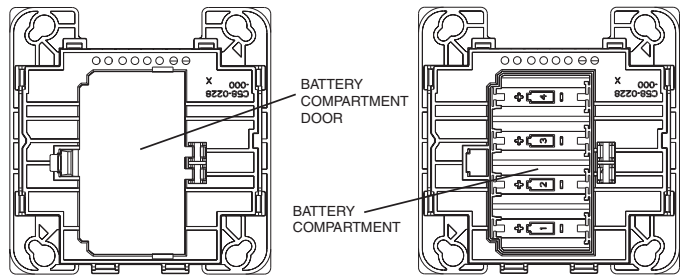
NOTE: All wiring must conform to applicable local codes, ordinances, and regulations. For applications interfacing with Emergency Control Functions, field wiring shall be limited to 3' or 20' in non-metallic conduit. In Canada, wiring methods shall be in accordance with CSA C22.1 Safety Standard for Electrical Installations, Canadian Electrical Code, Part 1, Section 32.

1. Install module wiring in accordance with the job drawings and appropriate wiring diagrams.
2. Set the address on the module per job drawings.
3. Secure module to electrical box (supplied by installer), as shown in Figure 4.



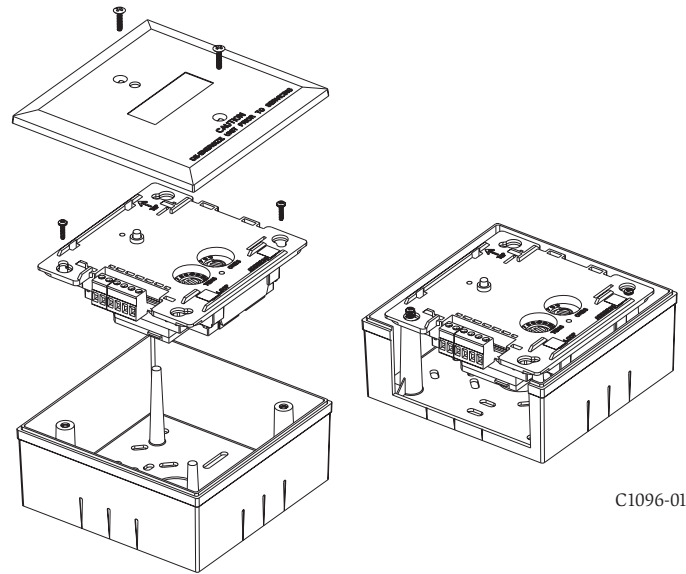
All relay switch contacts are shipped in the standby state (open) state, but may have transferred to the activated (closed) state during shipping. To ensure that the switch contacts are in their correct state, modules must be made to communicate with the panel before connecting circuits controlled by the module. When interfacing with an emergency control function, that function must respond in 1 second or less.

FIGURE 3. BATTERY COMPARTMENT



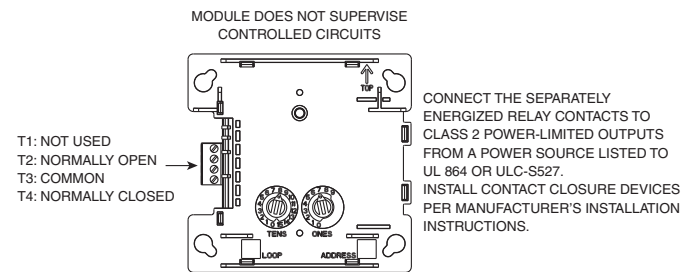
C2002-01

FIGURE 4. MODULE MOUNTING



C1096-01

FIGURE 5. TYPICAL WIRING CONFIGURATION:



NOTE: IN APPLICATIONS INTERFACING WITH EMERGENCY CONTROL FUNCTIONS, FIELD WIRING SHALL BE LIMITED TO 3 FEET OR 20 FEET IN THE SAME ROOM IN NON-METALLIC CONDUIT.

C2019B-01

LICENSING STATEMENT

Use of these products in combination with non-Honeywell products in a wireless mesh network, or to access, monitor or control devices in a wireless mesh network via the internet or another external wide area network, may require a separate license from Sipco,

LLC. For more information, contact Sipco, LLC or Ipco, LLC at 8215 Roswell Rd., Building 900, Suite 950, Atlanta, GA 30350, or at www.sipcolc.com or www.intusiq.com.

FCC STATEMENT

This device complies with part 15 of the FCC Rules. Operation is subject to the following two conditions:

1. This device may not cause harmful interference, and
2. This device must accept any interference received, including interference that may cause undesired operation.

WARNING: Do not make changes to the equipment. Changes or modifications not expressly approved by the manufacturer could void the user's authority to operate the equipment.

IC STATEMENT

This device complies with Industry Canada licence-exempt RSS standard(s). Operation is subject to the following two conditions: (1) this device may not cause interference, and (2) this device must accept any interference, including interference that may cause undesired operation of the device.

RAPPORT D'IC

Le présent appareil est conforme aux CNR d'Industrie Canada applicables aux appareils radio exempts de licence. L'exploitation est autorisée aux deux conditions suivantes: (1) l'appareil ne doit pas produire de brouillage, et (2) l'utilisateur de l'appareil doit accepter tout brouillage radioélectrique subi, même si le brouillage est susceptible d'en compromettre le fonctionnement.

INSTITUTO FEDERAL DE TELECOMUNICACIONES

This device utilizes the Honeywell915 rev A radio module and complies with IPETEL standard(s). IFT: RCPHOSW14-1983

Honeywell® and SWIFT® are registered trademarks of Honeywell International, Inc.