

# SEISKIT-MULTI-1

## Product Installation Document

PN LS10232-000GE-E:C 12/16/2022 ECN: 00027423

## 1 Overview

The instructions that follow describe requirements for seismic installations using a SEISKIT-MULTI-1 with a backbox and Power Sonic batteries.

The SEISKIT-MULTI-1 that accompanies this document must be used to secure the batteries to the backbox. The kit consists of a battery bracket, five #6-32 screws, two #6-32 keps nuts, and three #6-32 F/F standoffs to secure the bracket to the backbox. When used in combination with the instructions in this document, the installation will meet the requirements of the following standards.

- ASCE 7 - American Society of Civil Engineers document
- IBC (International Building Code) - Referencing ASCE 7 and ICC AC-156
- CBC (California Building Code) - Referencing ASCE 7

## 2 Cabinet Mounting

Specific hardware and installation procedures must be used when mounting the cabinet to conform with seismic rating requirements. Wood, concrete, and steel mounting requirements differ. Before installing the backbox, remove the PC board and components. Set them aside in a safe, clean place. *Avoid static discharge which may damage static sensitive components on the board.*

### 2.1 Mounting to Wood



**NOTE:** Wood lag screws must be embedded 2" (5 cm) minimum into wood. Sheetrock does not count as part of the 2" (5 cm) embedment.

1. If necessary, frame to match the backbox mounting holes.
2. Mark and pre-drill holes for mounting bolts.
3. Place cabinet over the holes.
4. Install 1/4" (.6 cm) wood lag screws, using 1/4" (.6 cm) regular flat washers.

### 2.2 Mounting to Concrete



**NOTE:** Hilti Kwik Hus-EZ (KH-EZ) anchors must be embedded 2" (5 cm) into a concrete masonry wall (CMU), per the requirements of ICC ESR-1385.

1. Mark and pre-drill holes for the mounting bolts.
2. Place cabinet over the holes. Install 1/4" diameter Hilti Kwik Hus-EZ (KH-EZ) anchors, using 1/4" (.6 cm) regular flat washers.

### 2.3 Mounting to Steel Studs

- Use 1/4" Hilti Kwik-Pro self drilling screws per ICC ESR-2196.

### 2.4 U-Struts

- Use A1000 Series Unistrut with A1006-1420 through A1008-1420 (Channel Nut with Spring, 1-1/4" Series), which will accommodate the 1/4" (0.6 cm) hardware.
- Span shall not be greater than width of unit + 12" (30.5 cm).
- Anchor into substrate per sections 2.1, 2.2, and 2.3.
- Install per manufacturer's instructions.

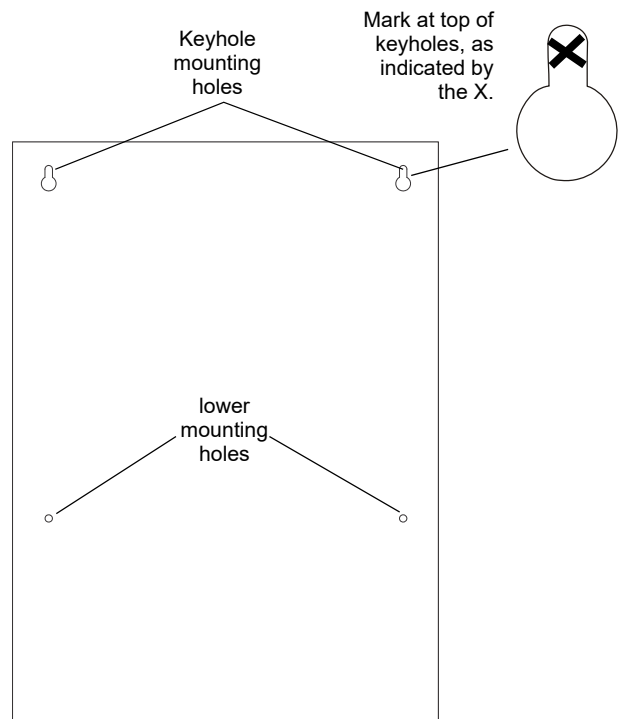


Figure 1 Mounting the Backbox

### 3 Battery Bracket Installation

Due to its size, only 7AH or 18AH batteries can fit inside the cabinet

**NOTE:** Power Sonic batteries, p/n PS-1270 (7AH) or PS-12180 (18AH), respectively, must be used in this installation. Substitutions are not acceptable.

#### 3.1 18AH Battery Configuration

1. Install batteries into bottom of cabinet.
2. Place bracket over the batteries. Ensure the bracket is aligned with the outside mounting holes.
3. Secure the bracket to the backbox from the outside of the box, using two included #6-32 screws and keps nuts into the upper mounting holes as shown below.

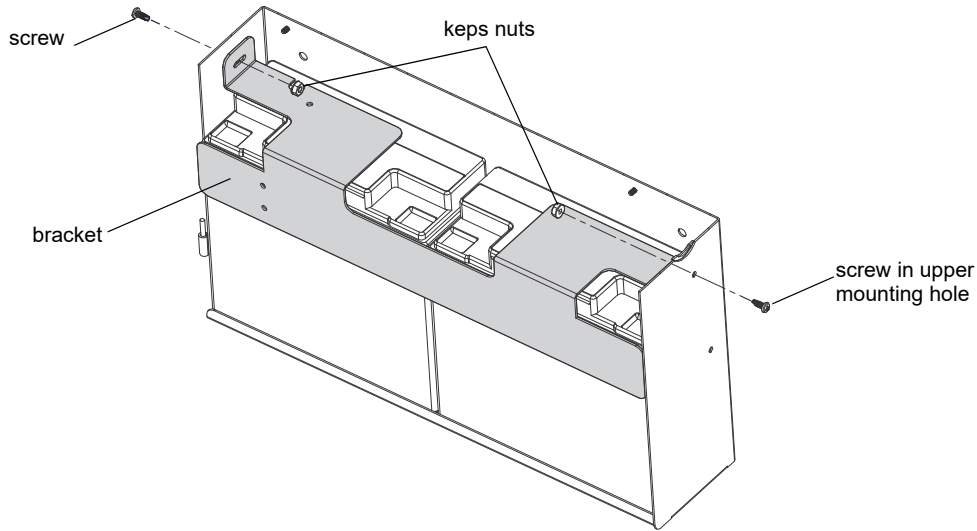


Figure 2 Installing the Bracket with 18AH Batteries

#### 3.2 7AH Battery Configuration

1. Install batteries into bottom of cabinet.
2. Install three #6-32 screws into the bracket, as shown, and secure with the three standoffs from the hardware kit.

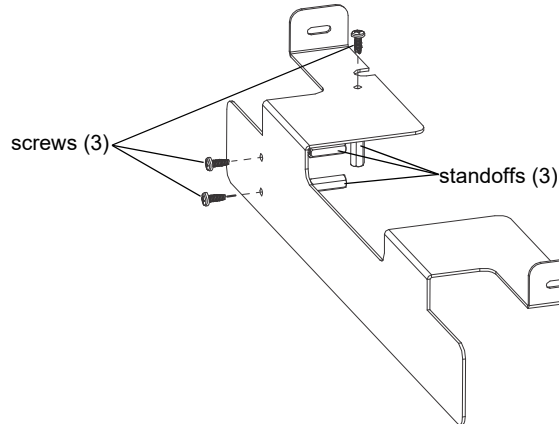
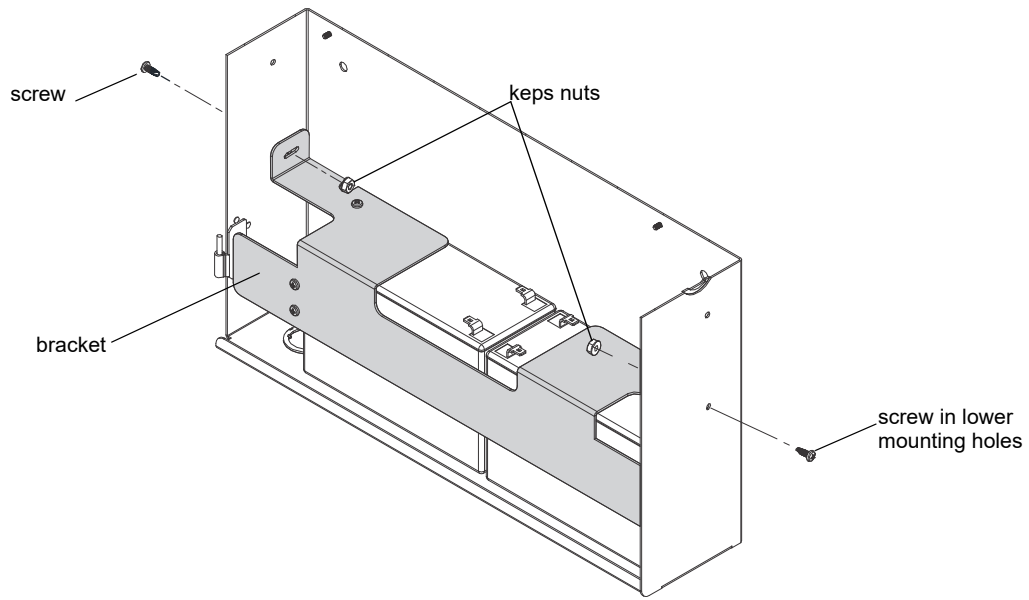


Figure 3 7AH Battery Bracket Preparation

3. Place bracket over the batteries. Ensure the bracket is aligned with the outside mounting holes.

- Secure the bracket to the backbox from the outside of the box, using two included #6-32 screws and keps nuts into the lower mounting holes as shown below.



**Figure 4 Installing the Bracket with 7AH Batteries**