

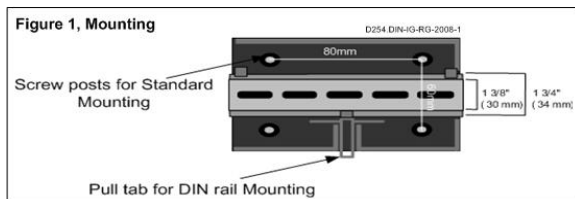
D254.DIN TRIAC* 2-Channel Dimmer

The D254.DIN provides dual channel 600W dimmable outputs (see technical specifications for specific load types). This product is used with the INNCOM S-Series, Glass Series, and Designer Series products (refer to specific product documentation).

Installation

The installer must be a trained, experienced service technician. When installing this product:

1. Read the instructions carefully. Failure to follow them could damage the product or cause hazardous conditions.



2. Check the ratings given in the product guide to make sure the product is suitable for the application.

Mounting

The D254.DIN comes with a DIN rail snap assembly and screw mounts in the bottom housing for multiple installation environments.

DIN Rail Mounting

1. Mount the DIN rail (supplied separately) to the intended device (NEMA box, wall mount, etc).
2. On the bottom housing, pull the plastic tab out and mount the D254.DIN on the DIN rail. Release the plastic tab. This locks the D254.DIN to the DIN rail mounting assembly.

Standard Mounting

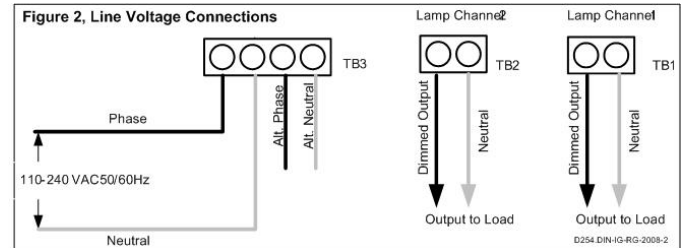
1. Remove the top cover of the D254.DIN by pressing in the tabs at both ends of the unit to release it.
2. Remove the PCBA by pulling back on the 4 tabs locking the PCBA onto the bottom housing.
3. After PCBA removal, use the 4 counter sunk mount posts in the base housing to screw the device to its intended application.
4. Place the PCBA back onto the bottom housing and confirm it snaps into place.
5. Replace the top housing.

* The D254. FET is a separate device and has separate documentation.

Line Power Connections



- The D254.DIN is intended for INDOOR USE ONLY.
- Separation of Class-1 and Class-2 Circuits must be observed.
- Use copper conductors ONLY. Wire range 18 AWG.
- TB1, TB2, and TB3 screw terminals require a minimum 4.4 inch-pounds of torque to meet NEC requirements.
- For use in Pollution Degree 2 Environments Only.

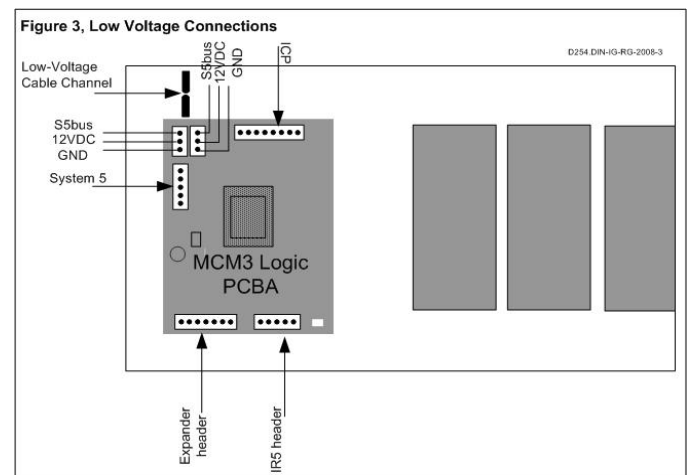


NOTE: This product must employ an air-gap switch with an identified off position. A switch having an identified off position shall be an air gap switch device, such as a UL 20 "Light Switch" or a relay incorporated between the line and load terminals.

Low Voltage Connections

The D254.DIN Logic is powered by an external Class-2 power supply source. This power source must be earth grounded.

1. Remove the top cover of the D254.DIN by pressing the tabs at both ends of the unit to release it.
2. Connect S5bus, 12VDC, and GND to either S5bus 3-pin header as shown below.
3. Connect the IR Eye5 cable to the IR5 header as shown below (where IR communications are necessary).
4. Use the cable channels to route the low voltage wiring in and out of the unit enclosure.



Regulatory Approvals

The following table provides the safety and regulatory standards for the load ratings and types.

Listing	Specification
UL/CSA	UL 244A UL 508
CE-Mark	EN60669-1: 1999+A1 2002 EN60669-2-1: 2004
CQC	GB15092.1-2003

Listed Load Ratings

Load Types	UL Listed US Ratings 100-120VAC	UL Listed US Ratings 250VAC	Intern'l Ratings (CE Mark, CQC) 100-240VAC
Tungsten/Filament Lamp Load	60hz 5.5A	60hz 2.5A	50/60hz 2.5A
Inductive/Magnetic Transformer Load	60hz 5.5A	60hz 2.5A	50/60hz 2.5A
Resistive/Electronic Transformer Load	60hz 5.5A	60hz 2.5A	50/60hz 2.5A
Electronic Ballast for FL Load*	60hz 1.0A	60hz 1.0A	50/60hz 1.0A
Line Voltage LED Light Load	60hz 1.5A	60hz 1.5A	50/60hz 0.5A

*The purpose of testing and approving these specialty light fixtures is to assure that ballast noise and start-up behavior can meet the application requirements.

Environmental Specifications

Specification	Condition	MIN	NOM	MAX	Units
Operating Temperature	100% load	0	25C°	40/104	C°/F°
Storage Temperature	-	-40	-	70/158	C°/F°
Relative Humidity	Non-Condensing	5	-	95%	%RH

Physical Specifications

Dimension	Measure	Unit
Length	157.2/6.18	mm/in.
Height	49.6/1.95	mm/in.
Width	86.6/3.40	mm/in.

Technical Specifications

Class-2 Input/ Current Consumption	12VDC, 100mA
Parameter memory	Non-volatile
Temp range	Operating: 32 to 140 F (0 to 65 C) Storage: -40 to 158 F (-40 to 70 C) 15 to 99 percent RH

Ordering Information

Order the D254.DIN based on the market region due to differences in specification for safety and regulatory standards. The product can be specifically identified by model number listing on the product label.

Model #	Description
01-9918.US.P	2-channel dimmer (Programmed): UL, CE Mark listed
01-9918.CN.P	2-channel dimmer (Programmed): CCC/CQC listed