

# IMPORTANT ASSEMBLY INFORMATION

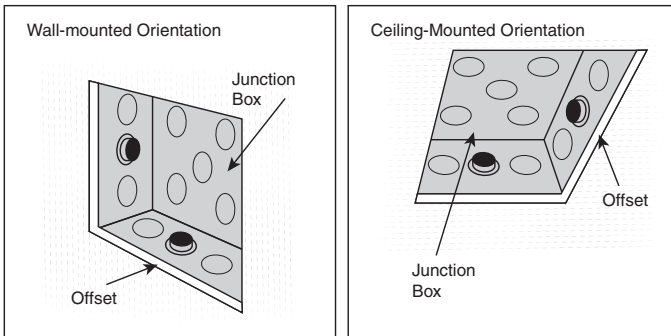
## L-Series Audible Visible Products: Speakers and Speaker-Strobes

In addition to the installation practices documented in the installation manual I56-0002-001, the following steps should be taken to insure proper installation of speaker and speaker-strobe products.

### 1. INSTALL ELECTRICAL BOX.

Ensure the electrical box is flush or slightly recessed/offset from the drywall. If the electrical box protrudes, adjust the position of the box. To avoid a cosmetic gap between the device and ceiling, install the back box flush to slightly recessed with the ceiling. In drop-ceiling installations, make sure the electrical box is flush with the ceiling tile.

**FIGURE 1. JUDGING DEPTH OF BACK BOX**

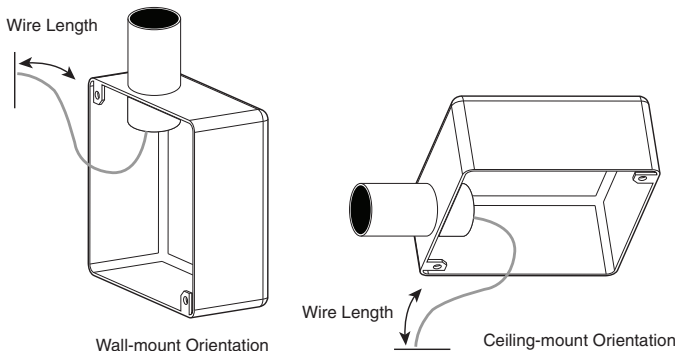


NOTE: Check the depth of the box after mounting. If the mounted box is not flush with the mounting surface, the device will not be flush against the mounting surface, causing a cosmetic gap between the product and the ceiling or wall.

### 2. ENSURE PROPER WIRE LENGTH AND WIRE ROUTING.

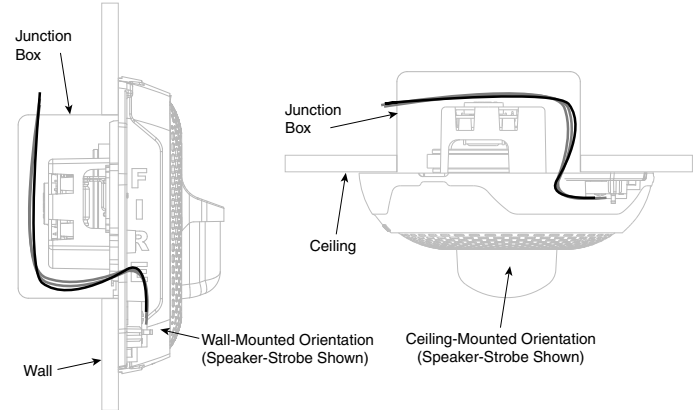
Ensure proper wire length and routing per the diagrams below so that the wiring does not interfere with the product by pushing on the back of the product. The wires should be dressed to the side to not interfere with the product. The product should not be used to push the wires back into the back box.

**FIGURE 2. MEASURING WIRE LENGTH (WALL, CEILING)**

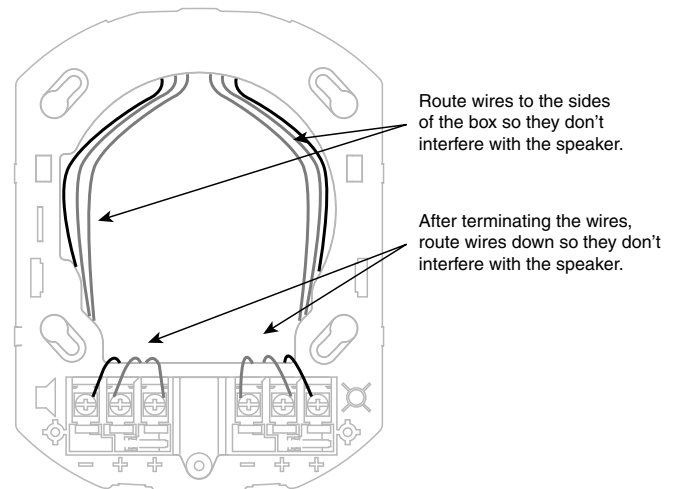


Wire Entry	Min	Max
Top	6" (15.24 cm)	9" (22.86 cm)
Side	4" (10.16 cm)	6" (15.24 cm)
Bottom	3" (7.62 cm)	6" (15.24 cm)
Back	5" (12.7 cm)	8" (20.32 cm)

**FIGURE 3. WIRE ROUTING, SIDE VIEW**



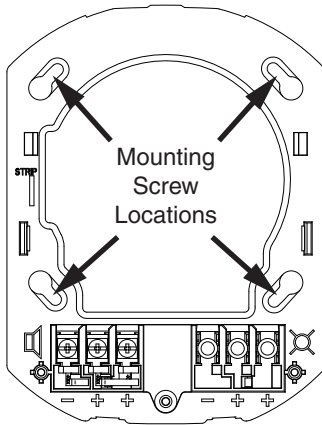
**FIGURE 4. WIRE ROUTING, FRONT VIEW**



### 3. INSTALL MOUNTING PLATE.

When securing the mounting plate to the electrical box or back box, do not over-tighten mounting plate screws.

**FIGURE 5. MOUNTING SCREW LOCATIONS**



Note: Mounting plate offers four locations for flexibility in choice of back box. If possible, use all mounting screw-holes on the selected electrical box or back box. Use only the screws provided with the product.

Note: Check that the mounting plate is flush with the wall (as described in Step 1) so that the final installation will also be flush with the wall.

### 4. SECURE THE DEVICE TO THE MOUNTING PLATE.

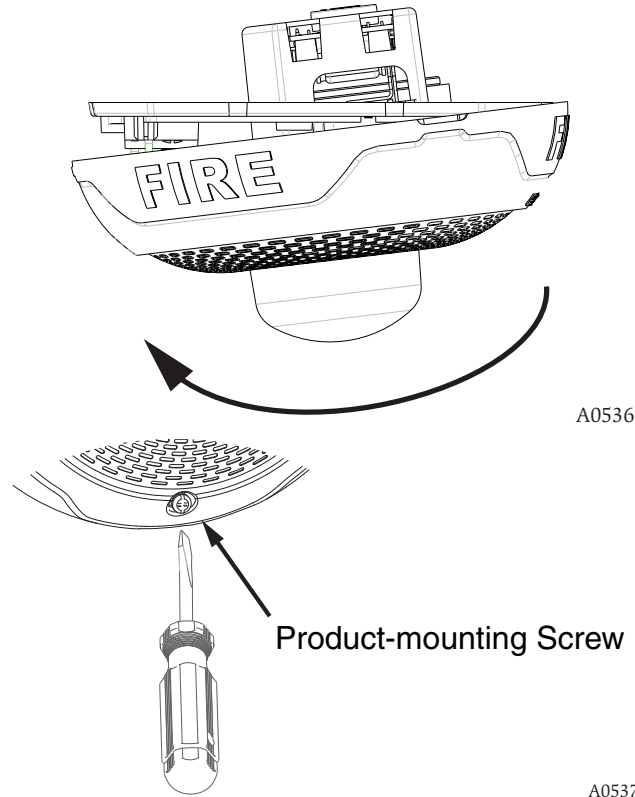
To provide proper electrical connections, the appliance must be properly seated on the mounting plate and the product-mounting screw on the front of the device must be securely fastened.

- Optional: If the captive screw is to be replaced with a tamper-resistant screw (provided), do that now.
- Use the “Keying Feature”: There are two tabs at the top of the device’s back side. These match up with slots at the top of the mounting plate. Hold the device at about 45° to the mounting plate to align the tabs with the slots.
- Slide the device’s tabs into slots so the device can pivot.
- Carefully rotate the device into place against the mounting plate while checking the clearance between wires and the back of the device. If wires are routed as described in Step 2, the product will rotate against the mounting place without force.
- The device should be seated flush on the mounting plate.
- Fasten the product-mounting screw on the front of the device by hand-tightening. Stop when it is secure.

Note: Over-tightening may strip the screw connection. If the screw cannot be fully tightened, check the wiring to make sure it is not interfering with the product. (See Figures 3 and 4.) If the screw strips the mounting plate, discontinue use of this product and replace with a new product.

Note: If there is a cosmetic gap between the product and the ceiling, the back box can be adjusted to be flush or slightly recessed with the ceiling and the wires dressed to not interfere with the back of the product. (See Step 1 and Step 2.)

**FIGURE 6. ATTACHING DEVICE (CEILING VERSION SHOWN)**



A0536-01

A0537-01

### 5. PERFORM REQUIRED SYSTEM TESTS.

In accordance with NFPA 72 standards, the system should be 100% functionally tested prior to use.