

**Important: Retain these instructions**

These instructions shall be used by trained service personnel only. If the equipment is used in a manner not specified by these instructions, the protection provided by the equipment may be impaired.

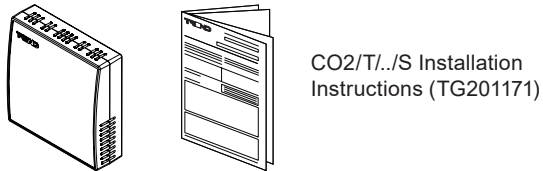
<https://partners.trendcontrols.com>



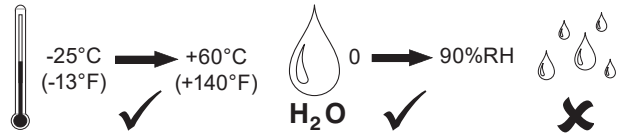
## CONTENTS

|     |                              |   |     |                                 |   |
|-----|------------------------------|---|-----|---------------------------------|---|
| 1   | Box Contents.....            | 1 | 3.2 | Installation - Configuring..... | 4 |
| 2   | Storing.....                 | 1 | 4   | Cleaning and Maintenance.....   | 4 |
| 3   | Installation.....            | 1 | 5   | Disposal.....                   | 4 |
| 3.1 | Installation - Mounting..... | 1 |     |                                 |   |

## 1 BOX CONTENTS



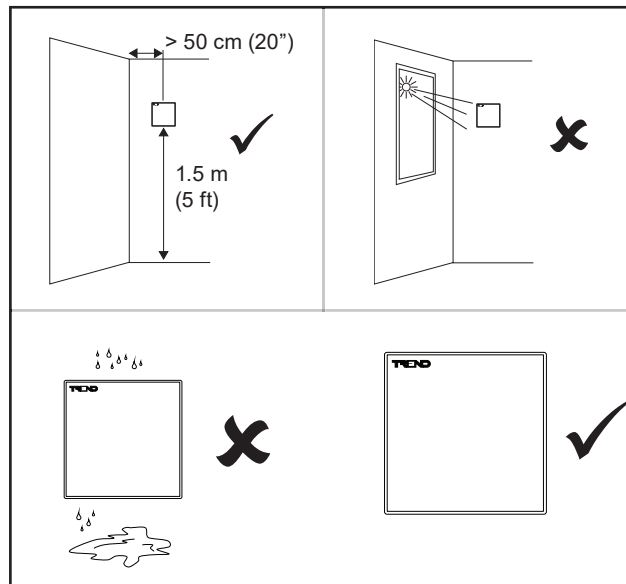
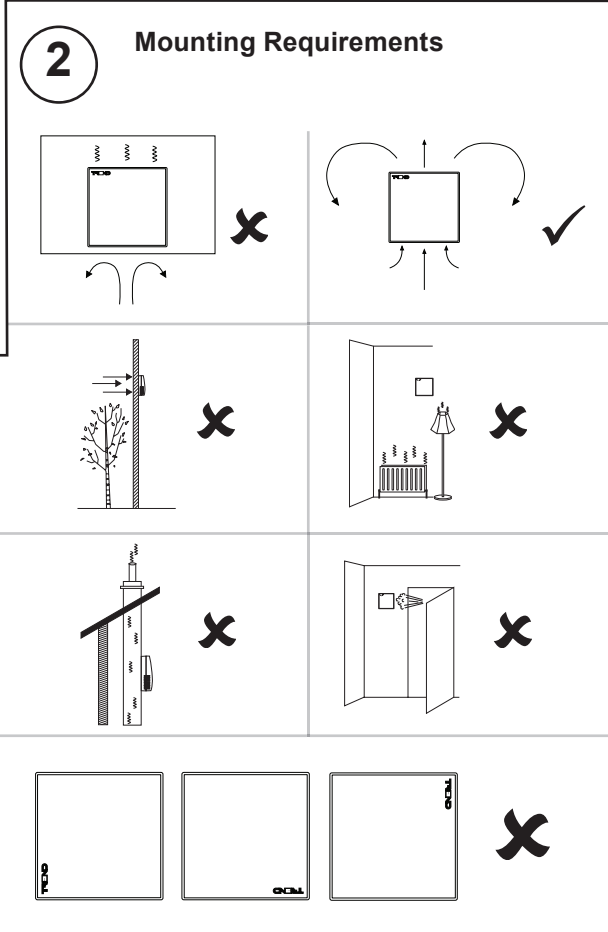
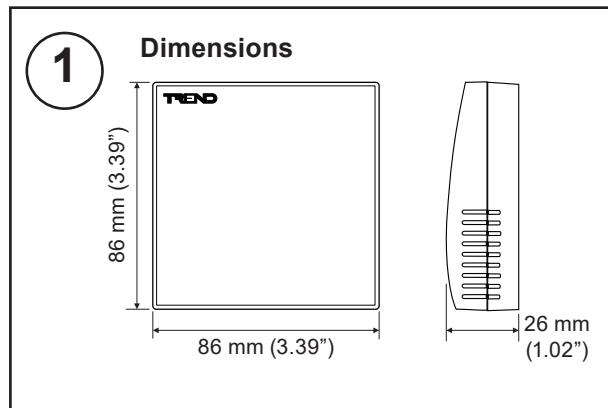
## 2 STORING



## 3 INSTALLATION

### 3.1 Installation - Mounting

It is recommended that the installation should comply with the local electrical safety installation practices (e.g. HSE Memorandum of Guidance on Electricity at Work Regulations 1989, USA National Electric Code).



3.1 Installation - Mounting (continued)

**2 Requirements (continued)**

-20 °C (-4 °F) → +60 °C (+140 °F) ✓  
 0 °C (32 °F) → +40 °C measurement (104 °F) ✓

H<sub>2</sub>O 0 %RH → 100 %RH non-condensing ✓

**3 Remove Backplate**

**4 Mounting Backplate**

Do not use this hole

60 mm (2.36")

35 mm (1.38")

35 mm (1.38")

35 mm (1.38")

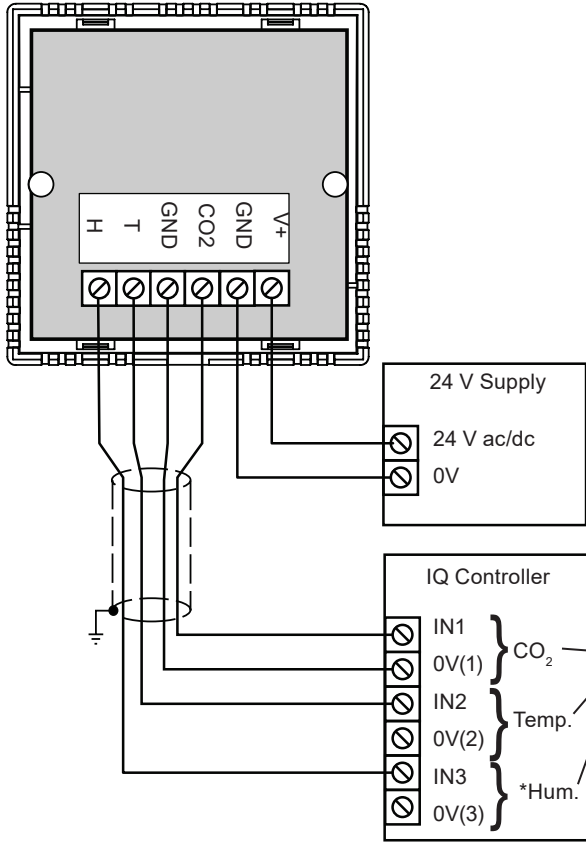
35 mm (1.38")

**5 Remove cutout(s) (as required)**

**6 Route cable(s)**

3.1 Installation - Mounting (continued)

**7** Wire to Controller



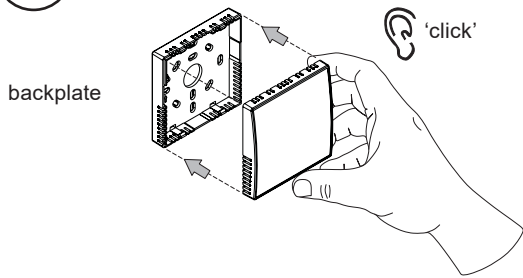
When connecting to an IQ4 controller the following limits apply if the IQ4 is to provide power. If the sensor is powered from a separate power supply these limits do not apply.

| Controller | Max No of CO2 sensors |
|------------|-----------------------|
| IQ41x      | 0                     |
| IQ422/24V  | 1                     |
| IQ422/230V | 6                     |
| IQ4E/230V  | 6                     |

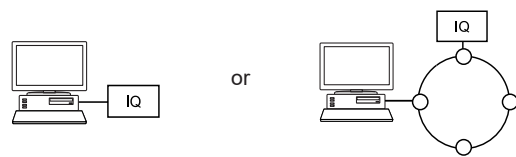
The 24 Vac/dc supply should be dedicated, isolated, and greater than 650 mA.


3 analogue input channels linked for Voltage (V), ensure correct polarity  
 \*The humidity (H) output is only available on CO2/T/H/S.

**8** Assemble unit



**9** Configure Controller




 IQ Configuration Manual (90-1533)  
 IQ3 Configuration Manual (TE200768)  
 IQ4 Configuration Manual (TE201263)

### 3.2 Installation - Configuring

#### 10 Set up IQ Sensor Types

Use SET to setup the sensor type module to use the appropriate 'Unique Sensor Reference'.

**Carbon dioxide concentration:**  
0 to 10 V for 0 to 2000 ppm

| Controller                 | Unique Sensor Reference                        |
|----------------------------|--|
| IQ3, IQ4, IQeco, IQ2 >v2.1 | CO2 V  |
| IQ1, IQ2 <v2.0             | Refer to the IQ Configuration Manual (90-1533) |

**Humidity:**  
(/H/ option only)  
0 to 10 V for 0 to 100 %RH. Measurement range 0 to 95 %RH

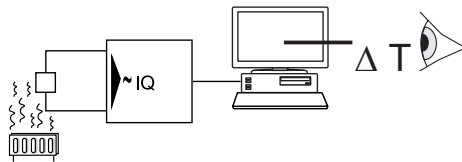
| Controller                 | Unique Sensor Reference                        |
|----------------------------|--|
| IQ3, IQ4, IQeco, IQ2 >v2.1 | Humidity V                                     |
| IQ1, IQ2 <v2.0             | Refer to the IQ Configuration Manual (90-1533) |

**Temperature:**  
0 to 10 V for 0 to +40 °C (32 to 104 °F)

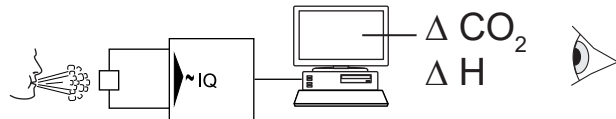
| Controller                 | Unique Sensor Reference   |
|----------------------------|---|
| IQ3, IQ4, IQeco, IQ2 >v2.1 | Temp V 0+40 for value in °C<br>Temp V +32+104 F for value in °F |
| IQ1, IQ2 <v2.0             | Refer to the IQ Configuration Manual (90-1533)                  |

#### 11 Test System

Temperature



CO<sub>2</sub> Concentration, Humidity (/H/ option only)



### 4 CLEANING AND MAINTENANCE

Over time, the sensing element may become covered in dust. The dust can be removed using compressed air. Under no circumstances should water or cleansing agents be used on the sensing elements.

### 5 DISPOSAL



**WEEE Directive:**

At the end of their useful life the packaging, product, and battery (if fitted) should be disposed of by a suitable recycling centre. Do not dispose of with normal household waste. Do not burn.

Please send any comments about this or any other Trend technical publication to [techpubs@trendcontrols.com](mailto:techpubs@trendcontrols.com)



© 2021 Honeywell Products and Solutions SARL, Connected Building Division. All rights reserved. Manufactured for and on behalf of the Connected Building Division of Honeywell Products and Solutions SARL, Z.A. La Pièce, 16, 1180 Rolle, Switzerland by its Authorized Representative, Trend Control Systems Limited.

Trend Control Systems Limited reserves the right to revise this publication from time to time and make changes to the content hereof without obligation to notify any person of such revisions or changes.

**Trend Control Systems Limited**

St. Mark's Court, North Street, Horsham, West Sussex, RH12 1BW, UK. Tel: +44 (0)1403 211888, [www.trendcontrols.com](http://www.trendcontrols.com)