

Honeywell Power Products
 12 Clintonville rd
 Northford, CT. 06504
www.honeywellpower.com

HP300ULX, HP300ULM, HP300ULPD4CB
 HP400ULX, HP400ULM, HP400ULPD4CB
 HP400ULPD8CB, HP400ULACM4, HP600ULX
 HP600ULM, HP600ULPD8CB, HP600ULPD16CB
 HP600ULACM8

APPLICATION NOTE:

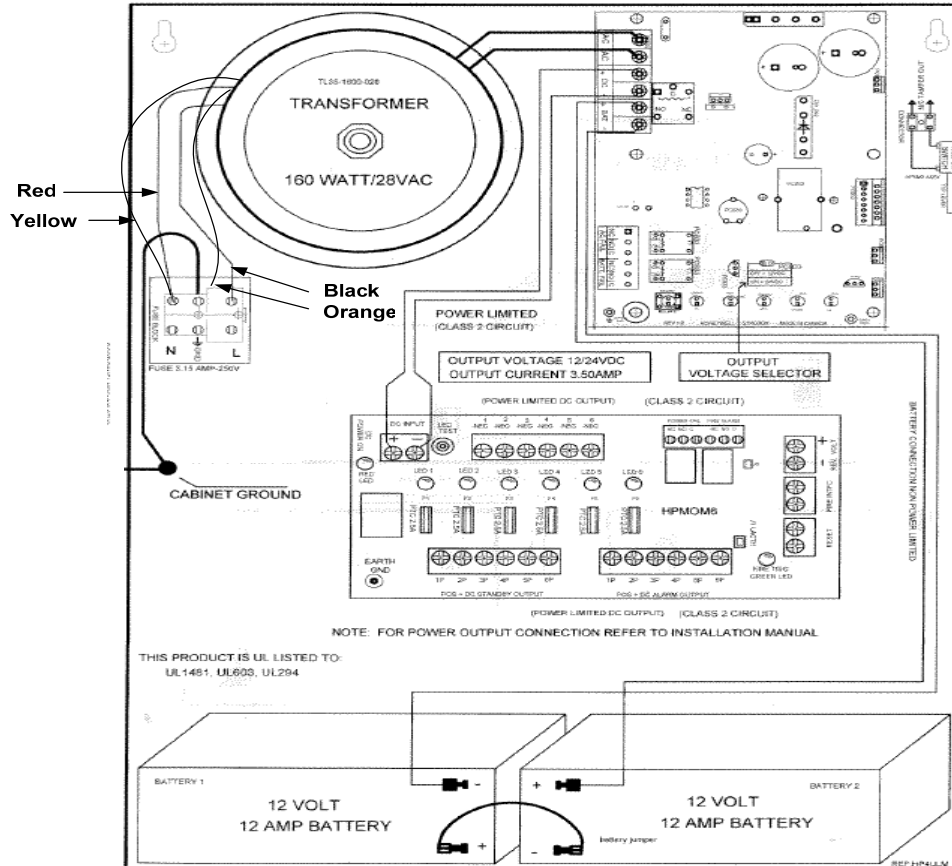
HP-UL Series power supply Conversion for 230V 50/60Hz operation



Warning: Voltage Conversion should only be performed by qualified personnel. Disconnect mains power before Installation, service or performing any changes to product. No user serviceable parts inside.

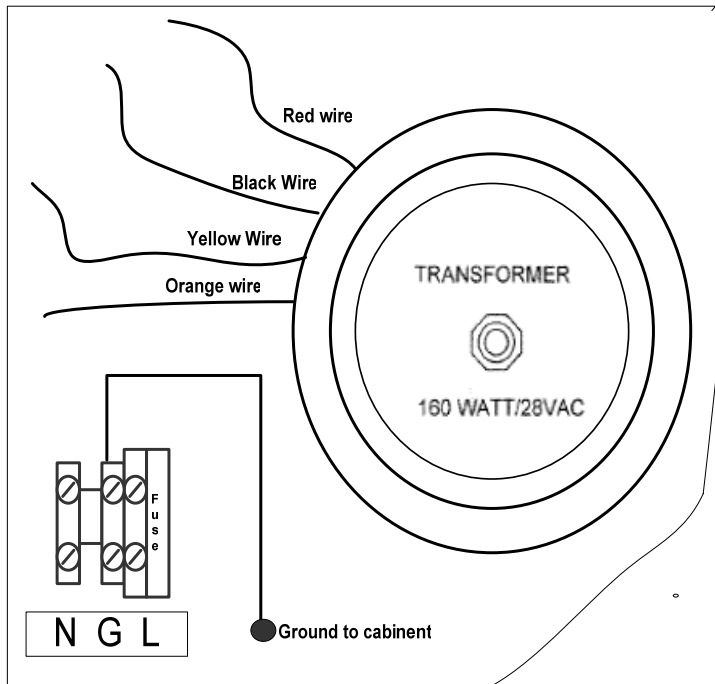
- Overview:** This Application note gives instruction to qualified personnel on how to configure the HP-UL series power supply to accept an AC line voltage of 230VAC at 50/60Hz. Be sure to measure ac mains output voltage before performing any conversions on power supply.

HP-UL series Factory default configuration (110VAC 60HZ operation)

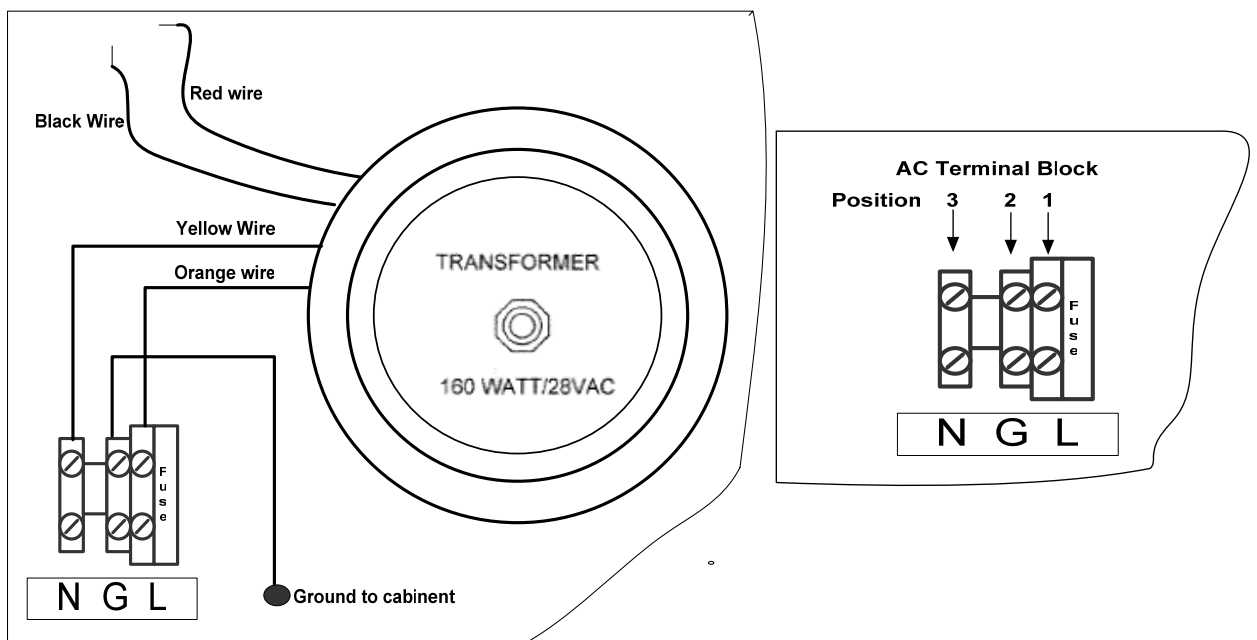


■ **Instructions:**

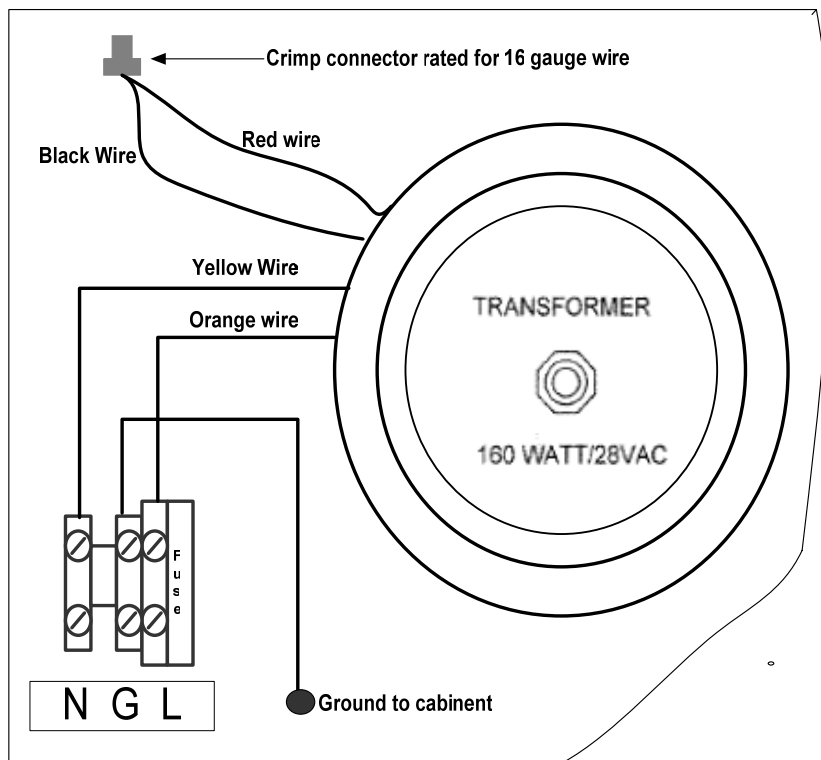
1. Locate the wires that connect from the transformer to the terminal block. Remove the yellow, red, orange and black wires from AC terminal block as shown in diagram below.



2. Connect the orange wire to "position 1" and yellow wire to "position 3" on the terminal block using the terminal block diagram below as a reference.



3. Connect Black and Red wires together with crimp connector suitable for 16 gauge wire. Electrically insulate connection and affix so wires are spaced .25" from low voltage wiring.



4. Unit is configured for 230VAC 50-60Hz operation. Perform power supply installation using the product install document that has been included with the unit.

For additional information:

- Visit our website at <http://www.honeywellpower.com>
- Contact technical support at 1(877) **HPP-POWR**
- Email us at hpp_techserv@honeywell.com