

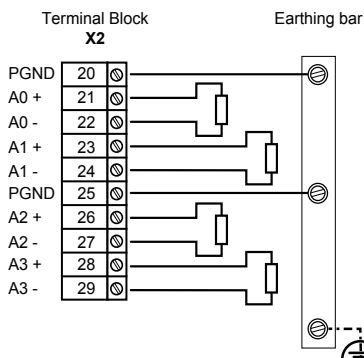
**Leaflet PCD7.W600 analogue output module for PCD1 CPU**



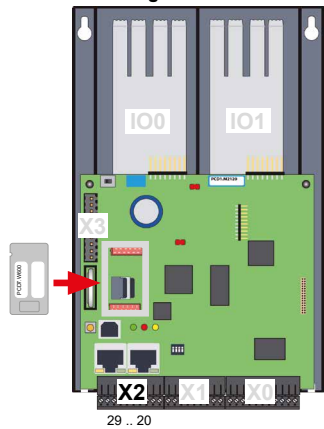
- Only compatible with PCD1.M2xxx, PCD1.M0160E0, PCD1.M2110R1
- PCD Firmware Version 1.23.39 or higher
- PG5 Version 2.1.300 or higher

**CAUTION**

**Connections**



**Mounting**



26-046 | ENG05 | 06.2017 | Technical data and information subject to change.

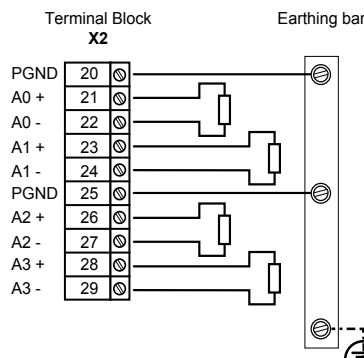
**Leaflet PCD7.W600 analogue output module for PCD1 CPU**



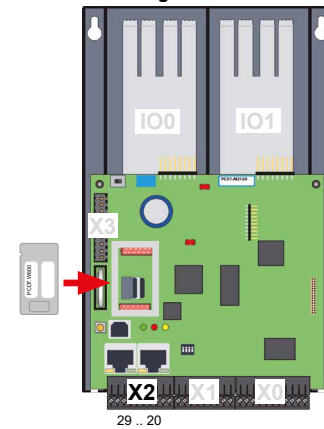
- Only compatible with PCD1.M2xxx, PCD1.M0160E0, PCD1.M2110R1
- PCD Firmware Version 1.23.39 or higher
- PG5 Version 2.1.300 or higher

**CAUTION**

**Connections**



**Mounting**



26-046 | ENG05 | 06.2017 | Technical data and information subject to change.

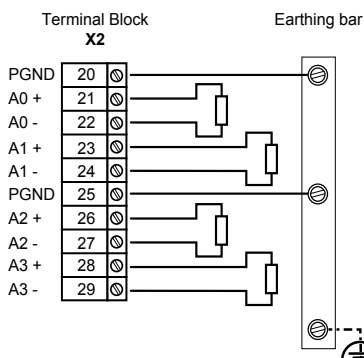
**Leaflet PCD7.W600 analogue output module for PCD1 CPU**



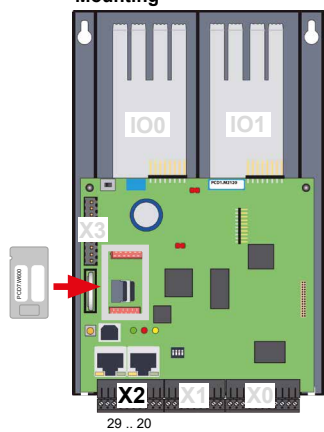
- Only compatible with PCD1.M2xxx, PCD1.M0160E0, PCD1.M2110R1
- PCD Firmware Version 1.23.39 or higher
- PG5 Version 2.1.300 or higher

**CAUTION**

**Connections**



**Mounting**



26-046 | ENG05 | 06.2017 | Technical data and information subject to change.

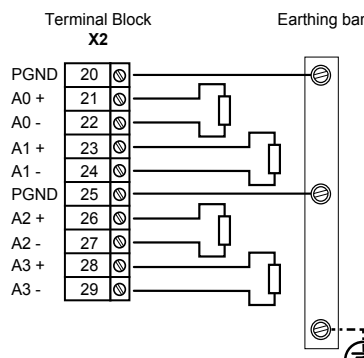
**Leaflet PCD7.W600 analogue output module for PCD1 CPU**



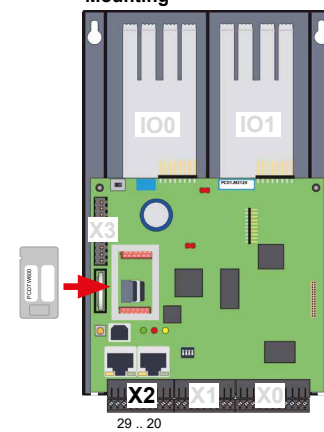
- Only compatible with PCD1.M2xxx, PCD1.M0160E0, PCD1.M2110R1
- PCD Firmware Version 1.23.39 or higher
- PG5 Version 2.1.300 or higher

**CAUTION**

**Connections**



**Mounting**



26-046 | ENG05 | 06.2017 | Technical data and information subject to change.

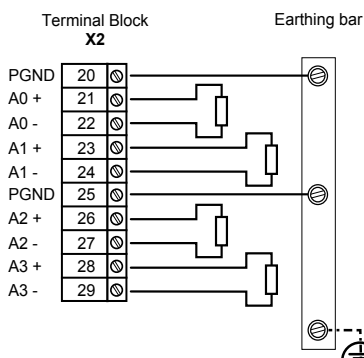
**Leaflet PCD7.W600 analogue output module for PCD1 CPU**



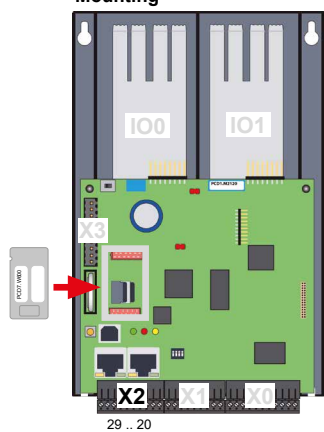
- Only compatible with PCD1.M2xxx, PCD1.M0160E0, PCD1.M2110R1
- PCD Firmware Version 1.23.39 or higher
- PG5 Version 2.1.300 or higher

**CAUTION**

**Connections**



**Mounting**



26-046 | ENG05 | 06.2017 | Technical data and information subject to change.

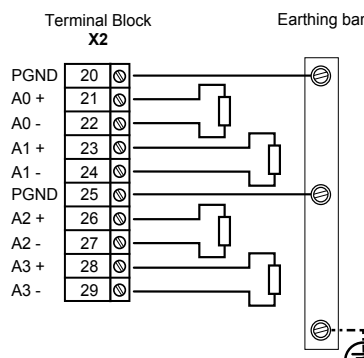
**Leaflet PCD7.W600 analogue output module for PCD1 CPU**



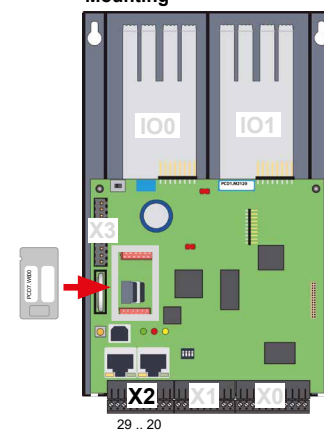
- Only compatible with PCD1.M2xxx, PCD1.M0160E0, PCD1.M2110R1
- PCD Firmware Version 1.23.39 or higher
- PG5 Version 2.1.300 or higher

**CAUTION**

**Connections**



**Mounting**



26-046 | ENG05 | 06.2017 | Technical data and information subject to change.