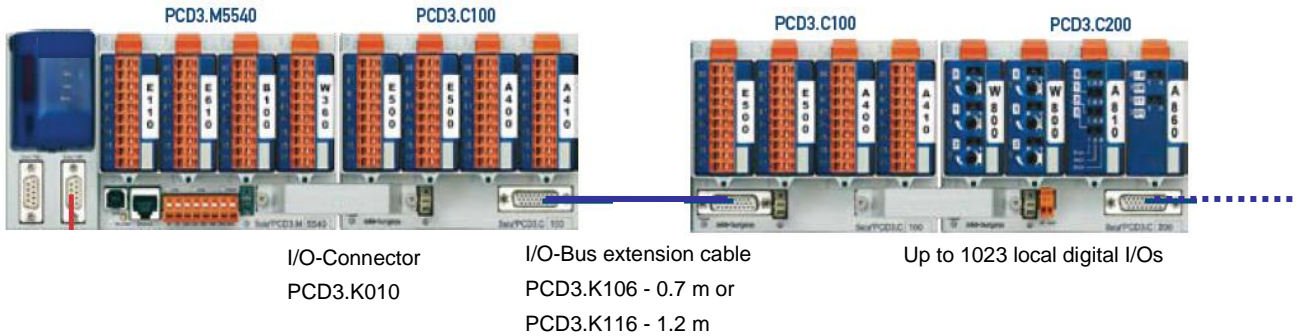


Saia PCD3.Cxxx – Expansion housings



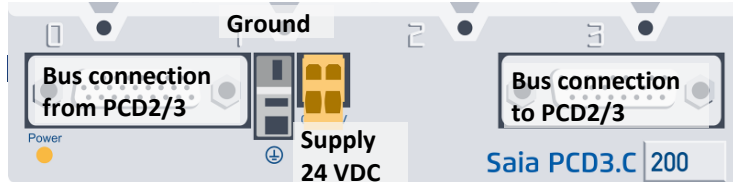
Connections and power supply:

PCD3.C100 for 4 IO modules (without power supply)

PCD3.C110



PCD3.C200 for 4 IO modules (without external 24 V supply)



The CPU modules and PCD3.C200 module holders provide the following internal supply currents to the modules plugged in or connected to them:

[mA]	PCD1	PCD2	PCD2.M48x	PCD2.M5xxx	PCD2.C2000	PCD3.M2xxx	PCD3.Mxxxx	PCD3.C200	PCD3.Txxx
5V Bus	750	1600	2000	1400	1400	130	600	1500	650
+V Bus	100	200	200	800	800	150	100	630	100

Conformity to CE directive

This system is developed according to the international standard EN/IEC61131-2:2003 and so complies with CE directives concerning EMC-Directive 2004/108/EC, Low voltage-Directive 2006/95/EC and Restricted of Hazardous substances (ROHS) 2011/65/EC.

Certificates



EAC Mark of Conformity for Machinery Exports to Russia, Kazakhstan or Belarus

UL Compliance, according to the following conditions



Conformité UL sous les conditions suivantes

This device is suitable for use in a 55 °C maximum ambient!

Température de service jusqu'à 55 °C ambiant !

Use of 60/75 °C copper (CU) wire only.

N'utiliser que des fils de cuivre, isolation 60/75 °C.

If use of Screw Terminal Maximum tightening torque 0.5 Nm.

Couple de serrage des bornes 0.5 Nm max.

Further information and support

Further information and Software/COSinus-Updates are available on www.sbc-support.com

Disclaimer

The plant engineer contributes his share to the reliable operation of an installation. He is responsible for ensuring that controller use conforms to the technical data and that no excessive stresses are placed on it, e.g. with regard to temperature ranges, over voltages and noise fields or mechanical stresses. In addition, the plant engineer is also responsible for ensuring that a faulty product in no case leads to personal injury or even death, nor to the damage or destruction of property. The relevant safety regulations must always be observed. Dangerous faults must be recognized by additional measures and any consequences prevented. Consistent use of the diagnostic elements of the PCD, such as the watchdog, exception organization blocks (XOB) and test or diagnostic instructions shall be made.