

CRF-300 Relay Control Module Installation Instructions

Specifications

Normal Operating Voltage:	15 to 32 VDC
EOL Resistance:	Not used
Temperature Range:	32°F to 120°F (0°C to 49°C)
Humidity:	10% to 93% Noncondensing
Dimensions:	4½" H x 4" W x 1¼" D (Mounts to a 4" square by 2⅛" deep box.)
Accessories:	SMB500 Electrical Box; CB500 Barrier

Before Installing

This information is included as a quick reference installation guide. Refer to the control panel installation manual for detailed system information. If the modules will be installed in an existing operational system, inform the operator and local authority that the system will be temporarily out of service. Disconnect power to the control panel before installing the modules.

NOTICE: This manual should be left with the owner/user of this equipment.

General Description

The CRF-300 Relay Control Module is intended for use in addressable, two-wire systems, where the individual address of each module is selected using the built-in rotary switches. It allows a compatible control panel to switch discrete contacts by code command. The relay contains two isolated sets of Form-C contacts, which operate as a DPDT switch and are rated in accordance with the table in the manual. Circuit connections to the relay contacts are not supervised by the module. The module also has a panel controlled LED indicator. This module can be used to replace an C304 module that has been configured for Form-C operation.

Compatibility Requirements

To ensure proper operation, these modules shall be connected to listed compatible system control panels only.

Mounting

The CRF-300 mounts directly to 4" square electrical boxes (see Figure 2A). The box must have a minimum depth of 2⅛". Surface mounted electrical boxes (SMB500) are available.

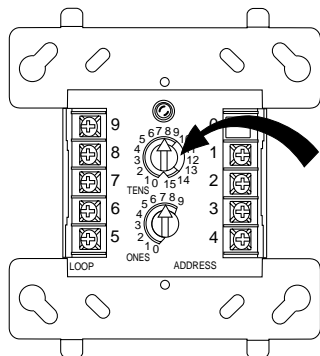
NOTE: All wiring must conform to applicable local codes, ordinances, and regulations. When using control modules in nonpower limited applications, the CB500 Module Barrier must be used to meet UL requirements for the separation of power-limited and nonpower-limited terminals and wiring. The barrier must be inserted into a 4"x4"x2⅛" junction box, and the control module must be placed into the barrier and attached to the junction box (Figure 2A). The power-limited wiring must be placed into the isolated quadrant of the module barrier (Figure 2B).

1. Install module wiring in accordance with the job drawings and appropriate wiring diagrams.
2. Set the address on the module per job drawings.

NOTE: Some panels support extended addressing. In order to set the module above address 99 on compatible systems, carefully remove the stop on the upper rotary switch with thumb in the direction shown in Figure 1.

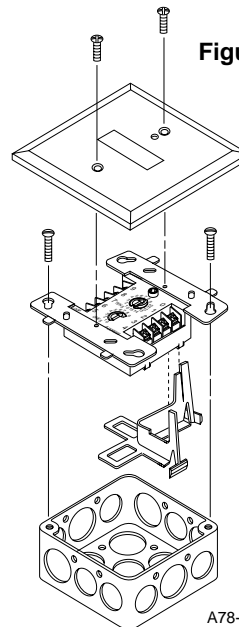
3. Secure module to electrical box (supplied by installer), as shown in Figure 2A.

Figure 1. Controls and indicators:



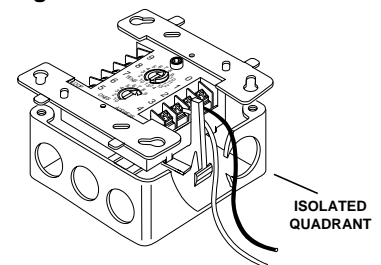
A78-2318-08

Figure 2A. Module mounting with barrier:



A78-2610-08

Figure 2B:



A78-2611-11

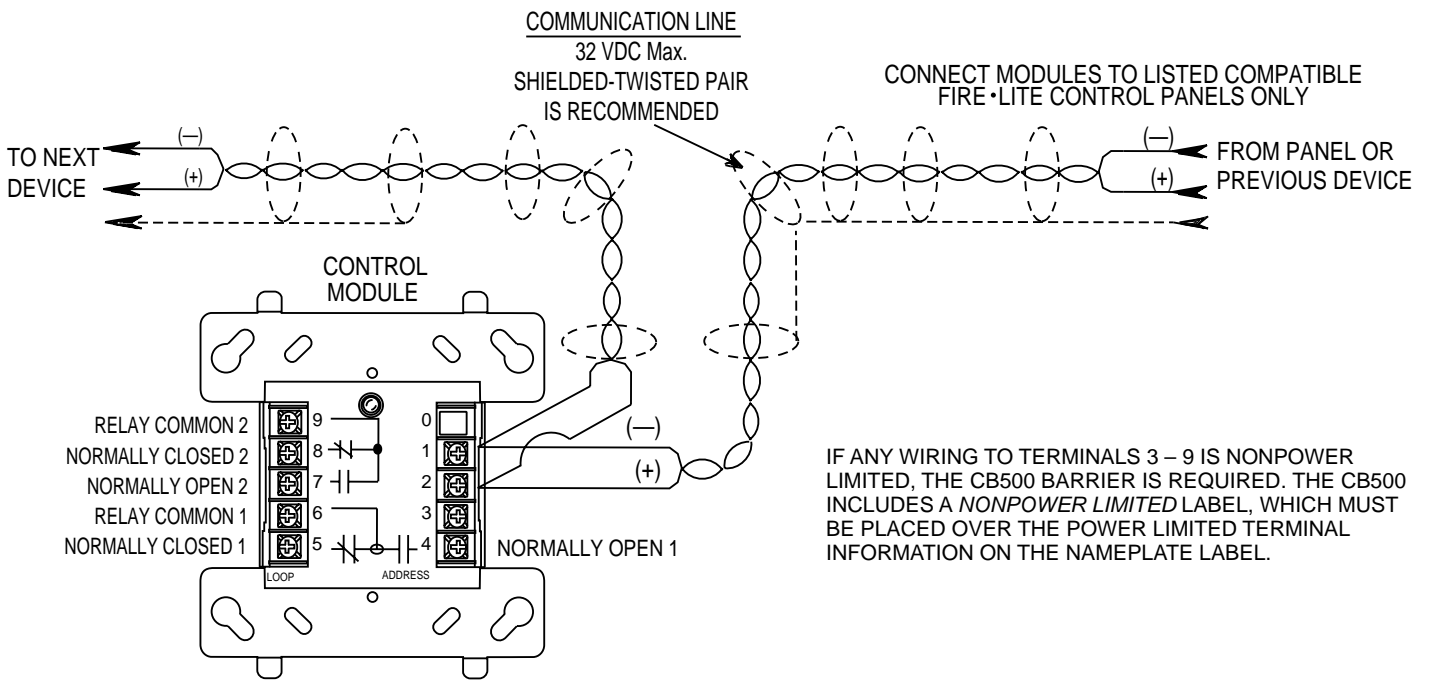
Relay Contact Ratings:

CURRENT RATING	MAXIMUM VOLTAGE	LOAD DESCRIPTION	APPLICATION
3 A	30 VDC	Resistive	Non Coded
2 A	30 VDC	Resistive	Coded
.9 A	110 VDC	Resistive	Non Coded
.9 A	125 VAC	Resistive	Non Coded
.5 A	30 VDC	Inductive (L/R=5ms)	Coded
1 A	30 VDC	Inductive (L/R=2ms)	Coded
.5 A	125 VAC	Inductive (PF=.35)	Non Coded
.7 A	75 VAC	Inductive (PF=.35)	Non Coded

WARNING

All relay switch contacts are shipped as shown in Figure 3, but may have transferred during shipping. To ensure that the switch contacts are in their correct state, modules must be made to communicate with the panel before connecting circuits controlled by the module.

Figure 3. Relay module wiring diagram:



MODULE DOES NOT SUPERVISE CONTROLLED CIRCUITS

A78-2286-10