

FIREFIGHTER'S HANDSET STORAGE BOX

PRODUCT INSTALLATION DRAWING

Document 50767 Revision A

ECN 97-139 09/29/97

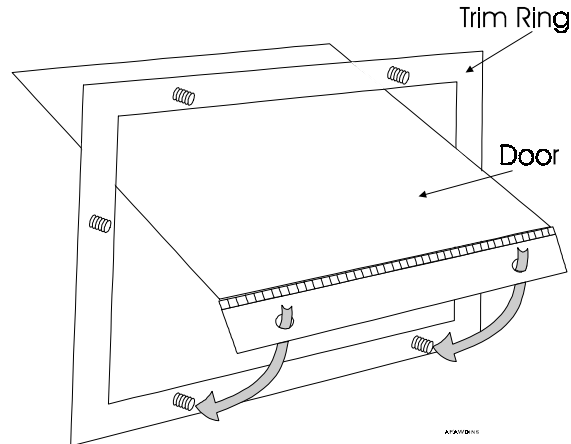


Figure 1 Placing Door on Trim Ring

Installation Instructions for Firefighter's Handset Storage Box.

1. Place door on trim ring, positioning the two holes at the bottom of the door onto the two bottom studs of the trim ring (refer to Figure 1).
2. Install trim ring with door attached onto backbox with 6-32 wing nuts (refer to Figure 2 for hole positions). The hinge knuckles should rest on the trim ring (refer to Figure 3).
3. Tighten wing nuts.
4. Mount the assembled box in a readily-accessible area approximately five feet above the floor using the holes on the back wall of the box.

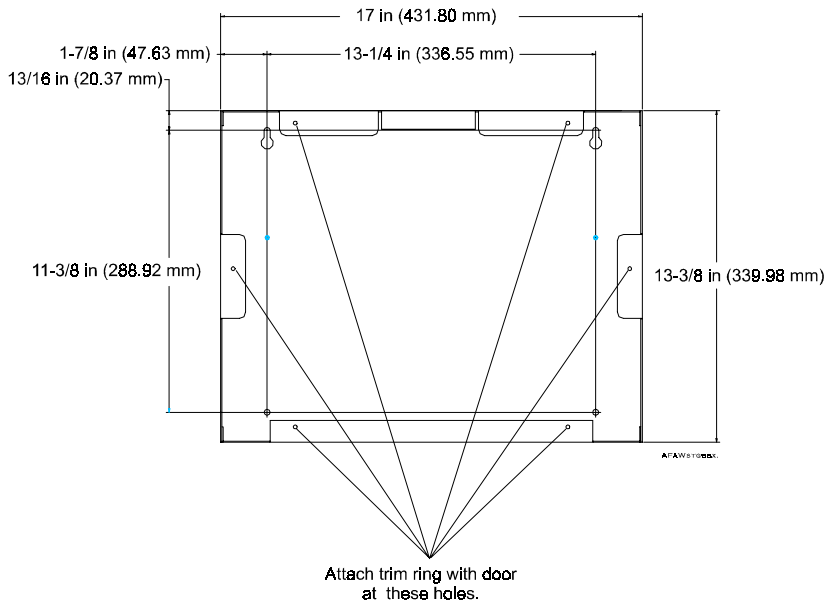


Figure 2 Backbox Dimensions and Hole Locations

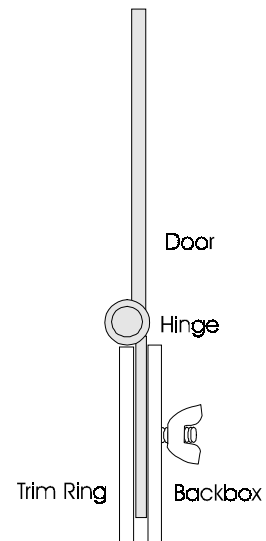


Figure 3 Hinge Position