

## HD3-MK1 Mount Install Guide

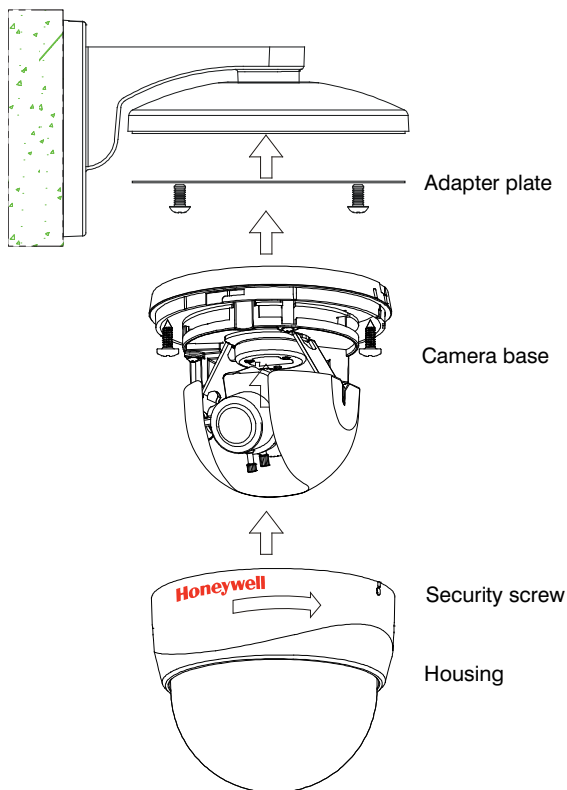
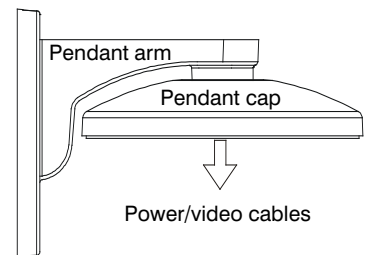
The HD3-MK1 Mount (wall mount / pendant mount) can be used with Honeywell 3 Inch Dome Cameras (model dependent). They are designed for indoor use only.

**Unpack Everything** Check that the items received match those listed on the order form and packing slip. The Mount Kit should include, in addition to this Install Guide, one pendant arm, one pendant cap, one adapter plate, and four #6 x 3/8" assembly screws.

### Wall Mount Installation

For the pendant mount instructions, see the next page.

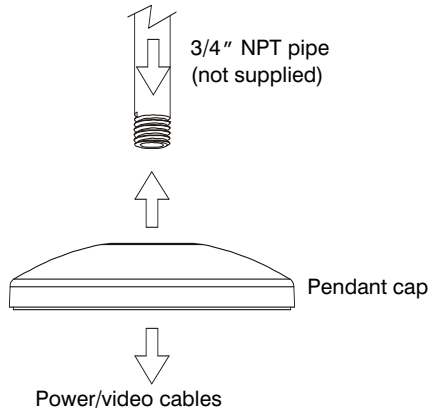
1. Screw the pendant cap onto the pendant arm, and then mount the pendant arm to the wall.
2. Pull the power/video cables from the wall through the pendant arm.
3. Screw the adapter plate to the pendant cap. This must be done **before** completing the installation.
4. Secure the camera base to the adapter plate.



5. Connect the power/video cables to your camera.
6. Set up your camera to the desired field of view. For detailed information, please refer to the user guide provided with your camera.
7. Align the housing with the camera base, then turn clockwise slightly to secure.

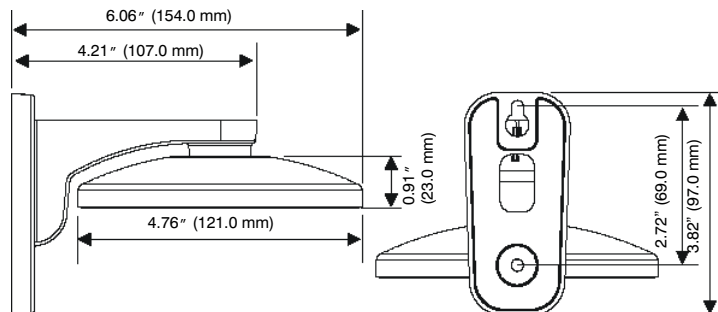
## Pendant Mount Installation

1. Pull the power/video cables through the 3/4" NPT pipe (not supplied).
2. Pull the power/video cables through the pendant cap and then screw the pendant cap onto the pipe.



3. To complete the installation, follow [step 3](#) through [step 7](#) of the *Wall Mount Installation* (previous page).

## Dimensions



# Honeywell

[www.honeywell.com/security](http://www.honeywell.com/security)  
+1 800 323 4576 (North America only)  
<https://honeywellsystems.com/ss/techsupp/index.html>

Document 800-07976V2 – Rev A – 12/2013