

Configuring HJK7000 UltraKey Plus Keyboard Controller With Enterprise Alpha Technical Note

Introduction

This document describes how to connect a Honeywell HJK7000 UltraKey Plus keyboard controller (HJK7000) to an Enterprise Alpha Viewer workstation (Viewer) to control PTZ cameras. This provides an optional method of controlling PTZ cameras instead of using a mouse on the Viewer GUI.

To connect an HJK7000, the Viewer workstation must be licensed with the SCP (Simple Control Protocol) license in License Manager. The SCP Manager application is used to configure the Enterprise Alpha NVR system for an external keyboard or other device using a similar protocol.

Terms, Acronyms and Abbreviations

Table 1 explains the terms, acronyms, and abbreviations used within this document.

Table 1 Terms, Acronyms, and Abbreviations

Term	Definition
DVR/ NVR	Digital Video Recorder- Digital recorder that stores video and associated events from analog cameras. Network Video Recorder- A device that primarily records video and associated events from network devices.
Device	Recorder, Streamer, Cameras, Peripheral units
License	A string of digits applied to the software to enable or disable functions, features and numbers of devices supported in the software
iKey	USB license key, also called a dongle, with encrypted license information
RS232/ RS485	Serial communication ports for transfer of Text/Data or PTZ data
Alpha technology ®	A proprietary technology used by the Video server to compress and encrypt the video and event data
GUI	Graphical User Interface, program(s) running on the Windows® O/S
O/S	Microsoft Windows® platform- operating system
PTZ	Pan, Tilt, Zoom operations

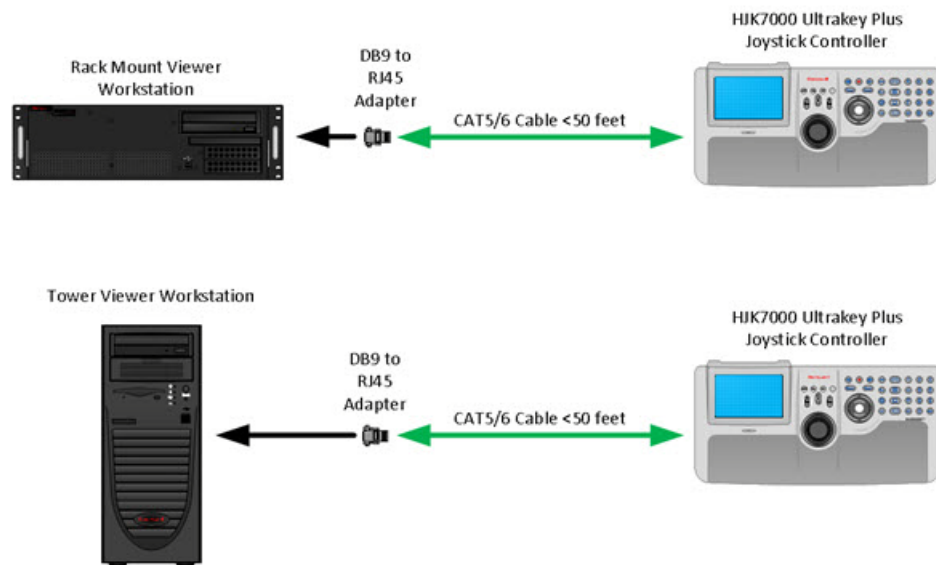
Table 1 Terms, Acronyms, and Abbreviations

Term	Definition
UltraKey Plus / HJK7000	Honeywell programmable keyboard with color touch screen LCD
Viewer	Enterprise Alpha NVR viewing application
Viewer Manager	Enterprise Alpha NVR application for modifying settings used by the Viewer application
Viewer Workstation	Physical computer hardware utilizing a dedicated software package to view cameras across a network

Connecting an Enterprise Workstation to an HJK7000

Figure 1 shows how to connect an Enterprise workstation to an HJK7000. Use an RJ45 network cable to connect the RS232 serial port on the HJK7000 to an DB9 to RJ45 male adapter (included with HJK7000) and plug the DB9 to RJ45 male adapter to the serial port on the Enterprise workstation.

Figure 1 Enterprise Workstation to HJK7000 Connection



Configuring the HJK7000 Port

To configure the port on the HJK7000 after you have made the physical connection between the Enterprise Alpha workstation running Viewer:

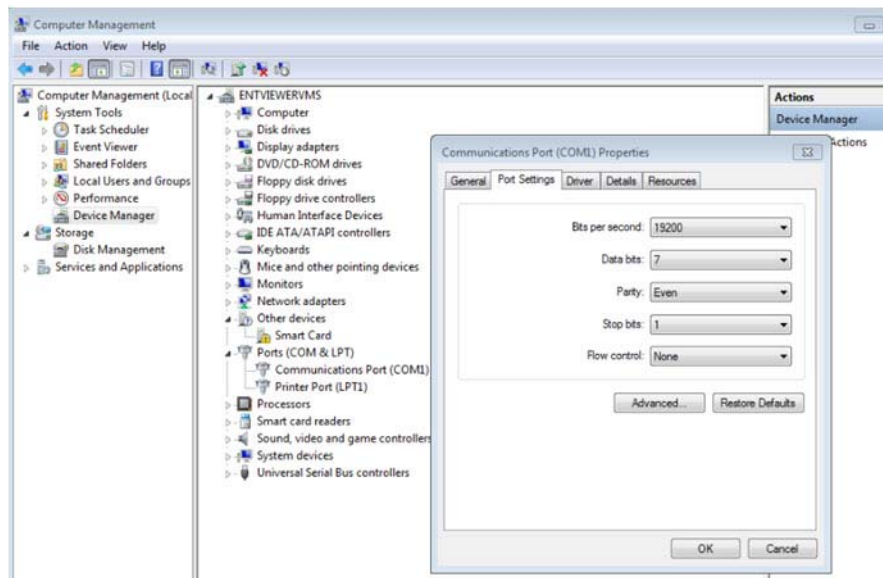
1. Power up the HJK7000.
2. Press **Alt + Clr + Home** keys (simultaneously) on the HJK7000,
3. When prompted, log on. The factory default password is **3434**. The Settings window is displayed.
4. If the current mode is set as VB mode, change it to **MAXPRO mode** by pressing the Mode VB button and logging into the Settings menu again.
5. Select **Hardware Configuration**.
6. Press **Port Settings** and then select **COM2**. The Serial Settings window is displayed. Configure the fields as follows:
 - Set **Type** to **RS-232**.
 - Set **Baud Rate** to **19200**.
 - Set **Data Bit** to **7 bits**.
 - Set **Parity** to **Even**.
 - Set **Stop Bit** to **1 bit**.
7. Click **Save** to save and exit the Serial Settings window.

Configuring the Port Settings on the Workstation

Note The following procedure may vary, depending on your version of Windows OS.

1. Right-click **My computer**, then click **Properties**.
2. Select **Device Manager**, then **Ports**.
3. Select the COM1 Serial Port.
4. Ensure that the port settings are configured as shown in *Figure 2*.

Figure 2 Computer COM1 Port Properties

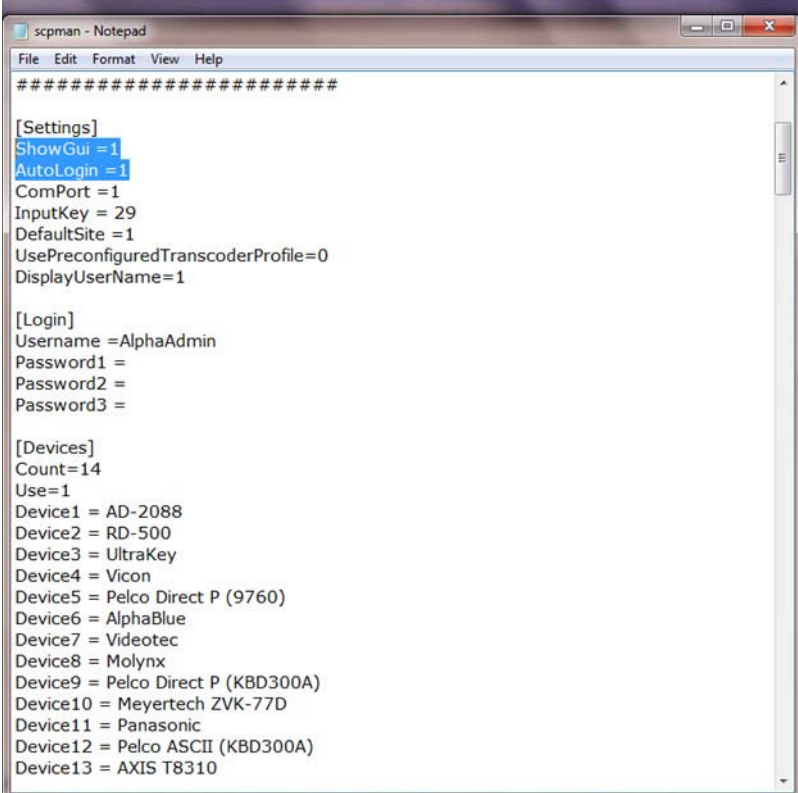


Modifying the c: \DVMS\scpman.ini File

The Simple Control Protocol (SCP) application is normally hidden; that is, running in the background. Once the SCP routine is running the user does not need to see the window associated with SCP control of the system.

To start the SCP, double-click **scpman.exe** from file folder or **Start > All programs > Alpha Technology > Configuration > SCPMan**. The application will start but does not open a GUI window on the desktop. To see the GUI window, double-click scpman.exe a second time.

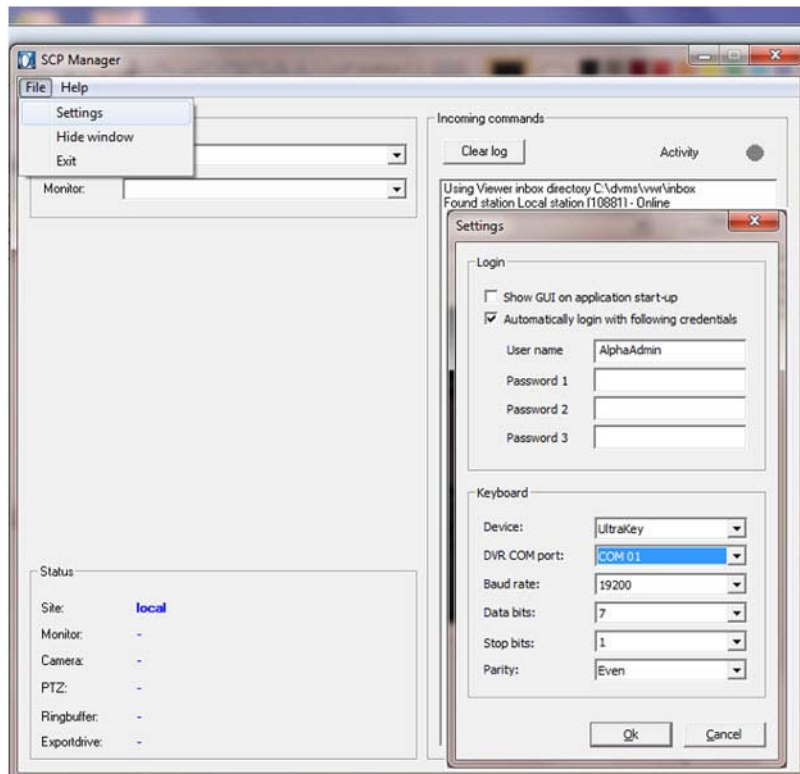
If you would like to see the GUI window for scpman.exe as soon as it starts, you can modify the ShowGUI setting in scpman.ini. The default is ShowGUI=0. Change the value from 0 to **1** to see the GUI window when the application starts up.



```
#####  
  
[Settings]  
ShowGui = 1  
AutoLogin = 1  
ComPort = 1  
InputKey = 29  
DefaultSite = 1  
UsePreconfiguredTranscoderProfile=0  
DisplayUserName=1  
  
[Login]  
Username =AlphaAdmin  
Password1 =  
Password2 =  
Password3 =  
  
[Devices]  
Count=14  
Use=1  
Device1 = AD-2088  
Device2 = RD-500  
Device3 = UltraKey  
Device4 = Vicon  
Device5 = Pelco Direct P (9760)  
Device6 = AlphaBlue  
Device7 = Videotec  
Device8 = Molyntx  
Device9 = Pelco Direct P (KBD300A)  
Device10 = Meyertech ZVK-77D  
Device11 = Panasonic  
Device12 = Pelco ASCII (KBD300A)  
Device13 = AXIS T8310
```

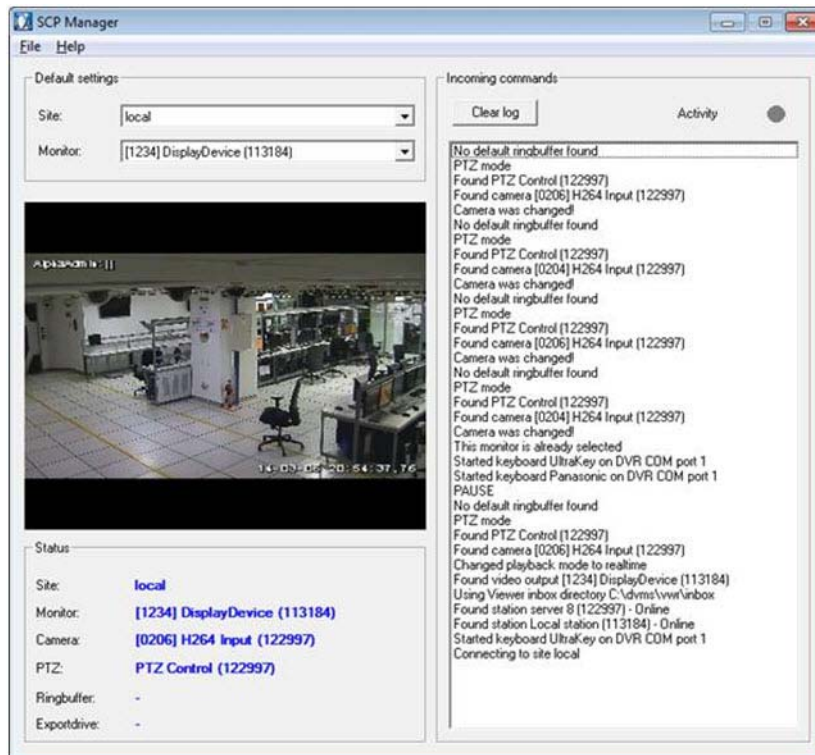
Configuring Settings in SCP Manager

1. Click **SCP Manager** twice.
2. On the **File** drop-down menu, select **Settings** and then select the **Keyboard**.
3. Set the Device, COM port, Baud rate, Data bit, Stop bit and Parity fields exactly the same as previously set for the HJK7000 and the Viewer workstation.



4. Configure the Site and Monitor in SCP Manager.

Note The Site and Monitor must be configured in Device Manager and Viewer Manager to be usable. Once these settings are made, PTZ cameras can be controlled by the HJK7000 connected to the Viewer workstation.



Honeywell

www.honeywell.com/security

+1 800 323 4576 (North America only)

<https://www.honeywellsystems.com/ss/techsupp/index.html>

Document 800-18320 – Rev A – 04/2014

© 2014 Honeywell International Inc. All rights reserved. No part of this publication may be reproduced by any means without written permission from Honeywell. The information in this publication is believed to be accurate in all respects. However, Honeywell cannot assume responsibility for any consequences resulting from the use thereof. The information contained herein is subject to change without notice. Revisions or new editions to this publication may be issued to incorporate such changes.