

**V25 Series ArmorDome™
CCTV Camera**

**Backing Plate Kit
Installation Guide
(Imperial or Metric)**

**SILENT
WITNESS®**
Securing your world

V25 Backing Plate Kit Installation Guide (Imperial or Metric)

Introduction

The V25 Backing Plate Kit helps you to mount your V25 Series Camera in a wall or ceiling panel. The panel can be up to 1 3/4 inches (45 mm) thick and must be removable or accessible from the back. An example of a typical mounting location is an acoustic ceiling panel.

The V25 Backing Plate kit contains, in addition to this guide:

- One backing plate
- Four #6-32 x 2 inch Phillips machine screws OR four 3 x 50 mm Phillips machine screws

Installation

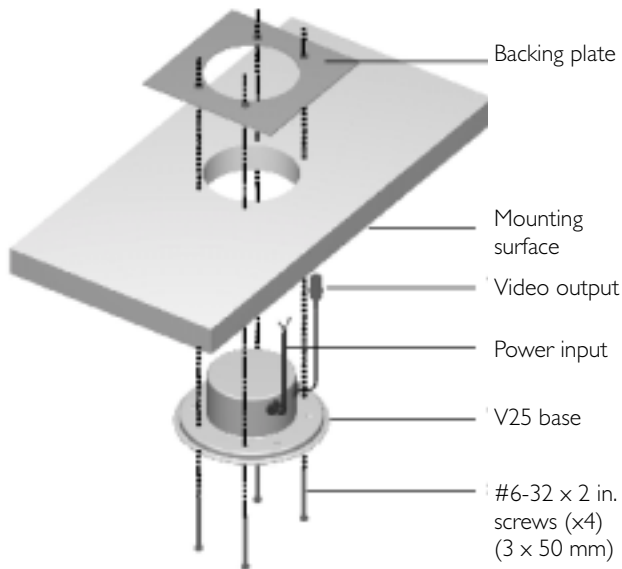
Note Before installing your V25 Series Camera, you must disassemble it and set the internal camera brackets for either wall or ceiling mounting. Refer to the instructions in the installation guide that came with your camera.

To mount your V25 Series Camera using the backing plate:

- 1 Use the V25 backing plate as a template to mark:
 - The circular cutout for the V25 base
 - The four mounting screw holes on the mounting surface
- 2 Cut the circular hole for the V25 base.
- 3 Drill four mounting screw holes in the mounting surface.

Installation cont'd

- 4 Insert the V25 base into the circular hole. Hold the V25 backing plate on the back of the mounting surface and secure it in place with the four #6-32 x 2 inch (or 3 x 50 mm) machine screws (supplied).



- 5 Refer to the installation guide that came with your camera to:
 - a Wire, aim, and focus the camera.
 - b Install the front plate and dome.

**SILENT
WITNESS®**
Securing your world

www.silentwitness.com

Document 920.0056 Rev 1.02 March 24, 2003
Specifications subject to change without notice.

Silent Witness Enterprises Ltd. ♦ 6554 - 176th Street, Surrey, BC, Canada, V3S 4G5 ♦ In North America, call 1.888.289.2288 (Sales), 1.800.893.9513 (Tech Service ♦ International, call (00) 800.2020.8080 or +1.604.574.1523 ♦ Silent Witness® is a registered trademark of Silent Witness Enterprises Ltd. © 2003 Silent Witness Enterprises Ltd. All rights reserved. Printed in Canada.