

R-10E/R-20E/R-14E/R-24E Multi Voltage Relay

3825 Ohio Avenue, St. Charles, Illinois 60174
1-800-SENSOR2, FAX: 630-377-6495
www.systemsensor.com

Specifications

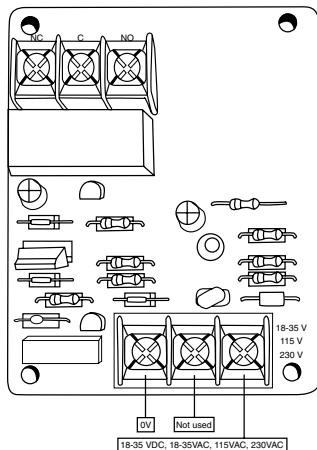
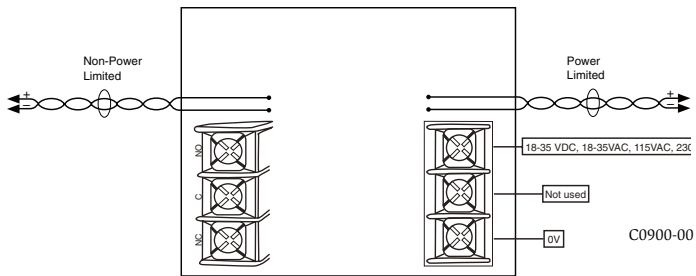
Operating Voltage:	18-35VDC, 18-35VAC, 115VAC, 230VAC
Operating Current (R-10E/R14E):	23mA DC @ 18-35VDC, 59mA AC @ 18-35VAC; 150mA AC @ 120VAC, 180mA AC @ 240VAC
Operating Current (R-20E/R-24E):	40mA DC @ 18-35VDC, 92mA AC @ 18-35VAC; 220 mA AC @ 120VAC, 260mA AC @ 240VAC
Operating Temperature:	-40°F to 158°F (-40°C to 70°C)
Humidity Range:	10% - 93% RH non-condensing
Dimensions:	R-10E/R-20E: 3.7"H × 5.3"W × 2.7"D (94 mm H × 135 mm W × 69 mm D) R-14E/R-24E: 5.4"H × 10.9"W × 2.7"D (137 mm H × 277 mm W × 69 mm D)
Accessories:	R-10E/R-20E - 2 mounting screws R-14E/R-24E - 4 mounting screws
Contact Ratings:	24VDC 7A 120VAC 10A 120VAC 1/6 HP 230VAC 7A

Notice: This manual should be left with the owner/user of this equipment.

General Description

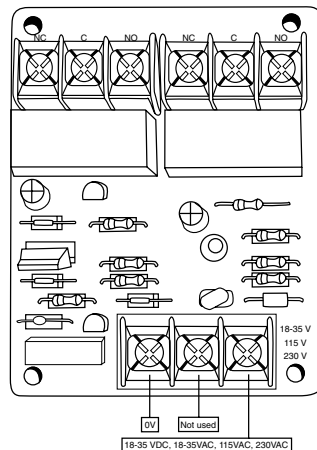
Models R-10E/R-20E and R-14E/R-24E are multi voltage relays with terminal strip field wiring connections, mounting track and hardware mounted in a steel enclosure. The closure has a removable front cover that provides easy access and a LED viewing hole on the top of the cover.

The R-10E is a single 1 FORM C (SPDT) relay with a red LED and the R-14E is a 4-gang 1 FORM C (SPDT) relay with 4 red LEDs. The R-20E is a single 2 Form C (DPDT) relay with a red LED and the R-24E is a 4-gang 2 Form C (DPDT) relay with 4 red LEDs. The LEDs indicate the energization of the Relay Coil.



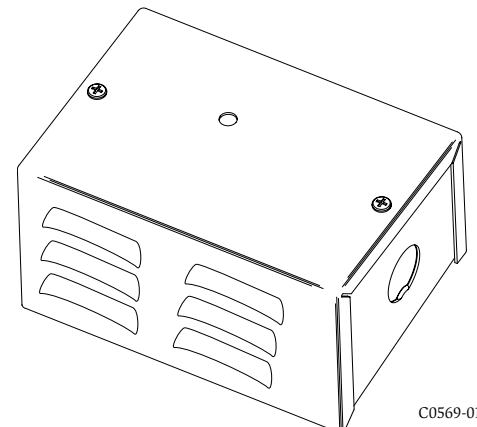
R-10E Relay

C0567-01



R-20E Relay

C0527-01



Metal Enclosure

C0569-01

Three-Year Limited Warranty

System Sensor warrants its enclosed product to be free from defects in materials and workmanship under normal use and service for a period of three years from date of manufacture. System Sensor makes no other express warranty for the enclosed product. No agent, representative, dealer, or employee of the Company has the authority to increase or alter the obligations or limitations of this Warranty. The Company's obligation of this Warranty shall be limited to the replacement of any part of the product which is found to be defective in materials or workmanship under normal use and service during the three year period commencing with the date of manufacture. After phoning System Sensor's toll free number 800-SENSOR2 (736-7672) for a Return Authorization number, send defective units postage prepaid to: System Sensor, Returns

Department, RA # _____, 3825 Ohio Avenue, St. Charles, IL 60174. Please include a note describing the malfunction and suspected cause of failure. The Company shall not be obligated to replace units which are found to be defective because of damage, unreasonable use, modifications, or alterations occurring after the date of manufacture. In no case shall the Company be liable for any consequential or incidental damages for breach of this or any other Warranty, expressed or implied whatsoever, even if the loss or damage is caused by the Company's negligence or fault. Some states do not allow the exclusion or limitation of incidental or consequential damages, so the above limitation or exclusion may not apply to you. This Warranty gives you specific legal rights, and you may also have other rights which vary from state to state.