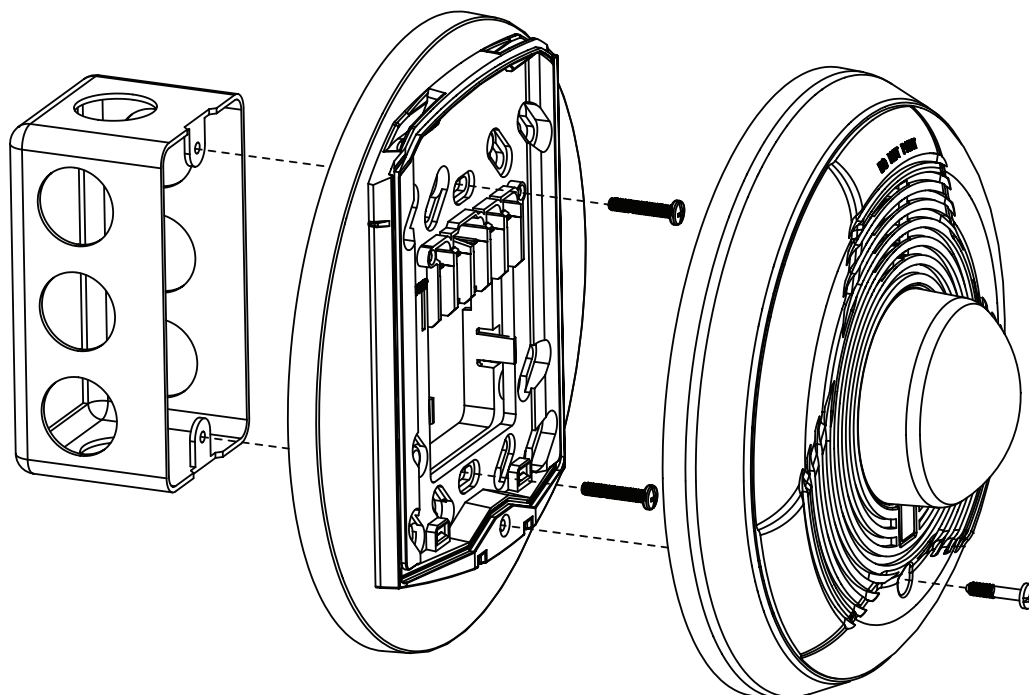


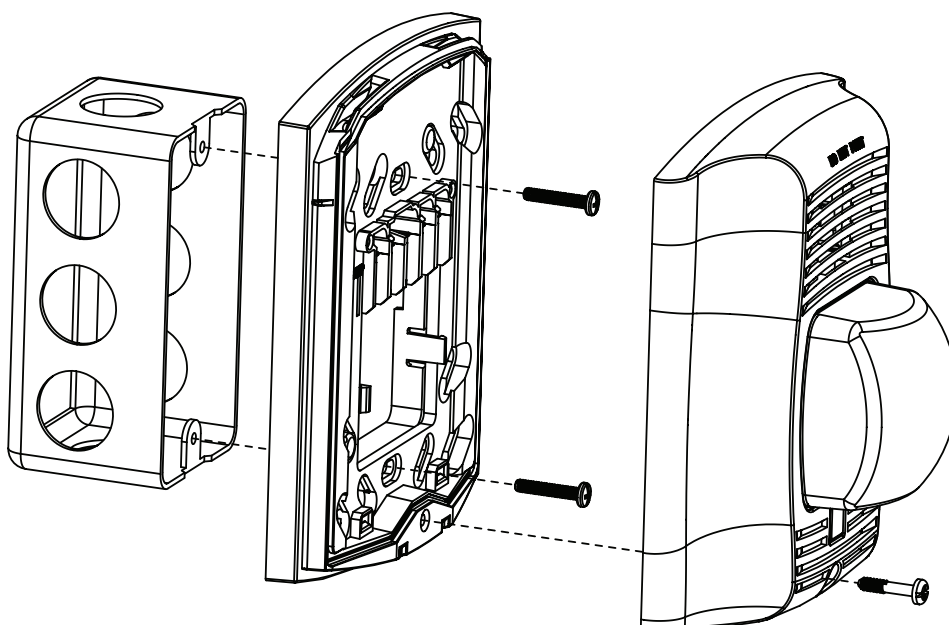
Installation Instructions for SpectrAlert Advance Horn, Horn-Strobe, Strobe, Chime and Chime Strobe Trim Ring

Follow the instructions below for installing trim ring models TR-HS, TRW-HS, TRC-HS, and TRCW-HS with the SpectrAlert Advance Series horn, horn-strobe, strobe, chime and chime strobe devices.

- 1 – Align two screw holes on the SpectrAlert Advance mounting plate to the corresponding screw holes on the trim ring (see diagram).
- 2 – Align the two screw holes on the 4" x 4" x 1 1/2", Single gang, Double Gang or 4" octagon back boxes with the screw holes on the mounting plate. Tighten the mounting plate to the back box.



A0619-00



A0620-00