



## NetAXS™ Web-Based Access Control

Offers flexibility in 2 and 4-door options with powerful performance

Whether you're new to access control, whether you need a better way to manage your employee access, or whether you're simply looking to save time and money on installation and training costs, Honeywell's new 2-door NetAXS™ panel has been designed to meet your needs—and it's backed by the power of Honeywell.

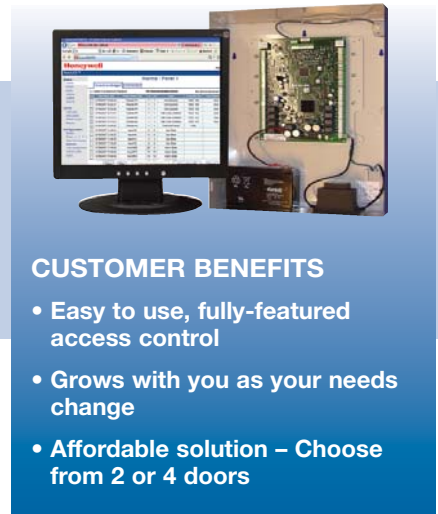
### Fully Featured – Easy to Use

NetAXS gives you all the benefits of traditional access control such as helping you secure your doors, managing employee access and sites remotely, and generating reports easily to meet compliance requirements. Plus, with a browser based interface, your learning curve and training time is significantly decreased. And you don't have to have a dedicated PC—simply log on and you're ready to go—from the office or anywhere.

And now, NetAXS is available in a 2-door option. Buy now at a 2-door price and upgrade later with a simple softkey field upgrade as your customer's needs change. The entire NetAXS offering provides all the security of an access control system with the convenience of managing through a web browser.

### NetAXS™ Grows With You

NetAXS has been developed with an installer-friendly design that easily adapts to existing IT infrastructure using browser-based access control management. This means reduced installation and support cost. Plus, NetAXS seamlessly integrates to Honeywell's fully-featured WIN-PAK software to enable more robust and sophisticated NetAXS integrations. So as your system grows, NetAXS grows with you.



### CUSTOMER BENEFITS

- Easy to use, fully-featured access control
- Grows with you as your needs change
- Affordable solution – Choose from 2 or 4 doors

### NetAXS Features:

- **Flexibility:** Choose from 2 or 4-door solutions and manage remotely through the Internet; field upgrade 2-door solutions to 4 doors with simple soft key upgrade file.
- **Connectivity:** Choose from a web-based interface to leverage your IT investment, or the software interface if your needs are more demanding.
- **Performance:** Decrease installation time with easy configuration and installer-friendly features. NetAXS is backed by the reliability and power of Honeywell.

# NetAXS™ Web-Based Access Control

## NetAXS Features:

### Database

- Cardholders: 10,000 standard
- Transaction storage: 25,000 standard
- Flash-based memory storage
- No onboard batteries to replace
- Easy feature expansion and firmware updates

### Communication

- On-board Ethernet, RS485 and RS232
- Built-in interface does not require additional standalone or add-on communication modules
- One RS485 for connecting 31 panels in a site loop
- Connect to one device to manage your entire facility

### System Overview

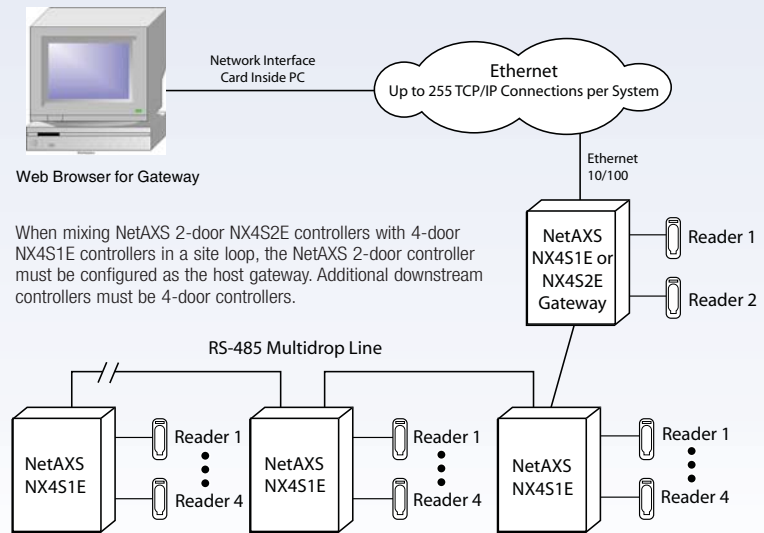
- Embedded web server
- Add on to your existing WIN-PAK® system
- Dedicated tamper alarm
- Dedicated power fail alarm
- Real time clock:
  - Geographic time zone support
  - Daylight saving time

## Embedded Web Server

- Complete system programming from web interface
- SSL and SHA-1 data protection
- Real-time event and alarm monitoring
- Full manual control of doors and readers
- Global language support including Spanish, French, Czech, Dutch, Italian and simplified Chinese

## Reporting and Analysis

- Integrated basic reporting feature
- Import/export of card database
- Export of alarm and events database



Panel Options	Part Number	Enclosure (W x H x D)	Features Include	Interface			Reader Support	Standard I/O (Expandable)	Input Power
				Ethernet TCP/IP	RS485	RS232			
2-door (standard)	NX4S2E	457.2 x 368.3 x 111.8	NetAXS controller, standard enclosure, suppressor, transformer and back-up battery	Y	Y ONLY AS GATEWAY	Y	2	14 inputs / 8 outputs	230VAC
4-door (standard)	NX4S1E	457.2 x 368.3 x 111.8	NetAXS controller, standard enclosure, suppressor, transformer and back-up battery	Y	Y	Y	4	14 inputs / 8 outputs	230VAC
Upgrade 2-door to 4-door	NX4UPG2T4	-	Soft key field upgrade from 2 doors to 4 doors	-	-	-	4	14 inputs / 8 outputs	-

Contact Honeywell Customer Service for upgrade procedure.

## For additional information,

please visit [www.honeywell.com/security/me](http://www.honeywell.com/security/me)

## Honeywell Security

Honeywell Systems Group  
 Honeywell Middle East FZE  
 Post Office Box 18530  
 LOB Building 08, Office 199  
 Jebel Ali  
 Dubai  
 United Arab Emirates  
 Tel: 971-04-881-5506  
[www.honeywell.com](http://www.honeywell.com)