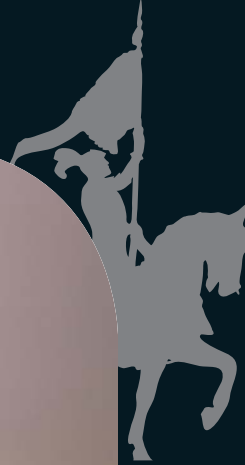


Simple. Smart. Reliable.



IntelliKnight™ Series



SK-F485C SBUS Wire to Fiber Converter Module



Intelligent Devices can be Remotely Located

Silent Knight's SBUS design has always enabled remotely locating intelligent power supplies and other SBUS devices via wire. Now the SBUS can be connected with **fiber** in underground or long run applications using the SK-F485C wire to fiber converter module, increasing reliability. The SK-F485C will provide significantly longer distances and unsurpassed surge protection connecting any of Silent Knight's complete line of SUBS accessories.

Eliminate Damage from Earth Ground Differential Between Buildings

Running copper wire between buildings always brings a high risk of lightning damage due to earth ground differentials. The SK-F485C allows protection of multiple buildings with one IntelliKnight™ addressable fire alarm control panel without the risk of damage caused from using copper wire in a multi-building application.

- **Save Money**
Fiber solution allows one FACP to protect multi-building applications. Eliminates the monitoring cost of multiple FACP's
- **Increase Reliability**
Eliminates the risk of lightning damage caused by running copper wire between buildings
- **Flexible Design Features**
SK-F485C does not take up an SBUS address, and it allows for long distance location of intelligent accessories
- **UL 864 Listed**



**SILENT
KNIGHT**

by Honeywell

Simple. Smart. Reliable.

SK-F485C

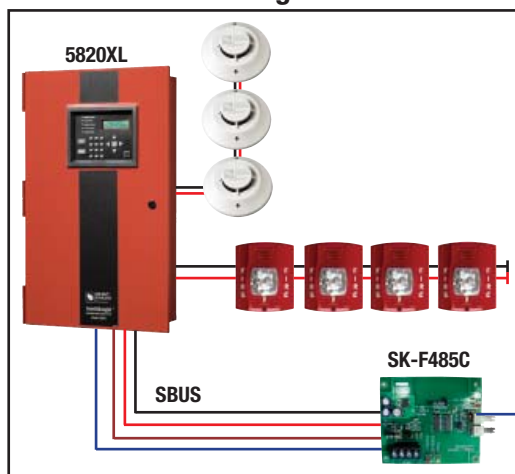
SBUS Wire to Fiber Converter Module

Applications

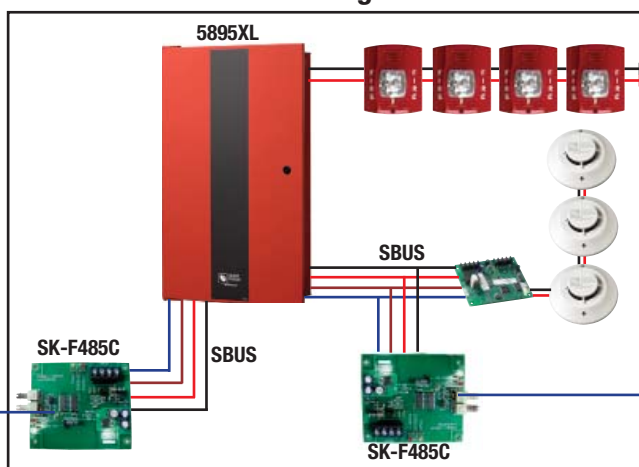
- Multiple building projects
 - Apartments / Multi-family housing
 - Schools / Colleges
 - Office complexes
 - Senior living facilities
- Warehouse / Large facilities



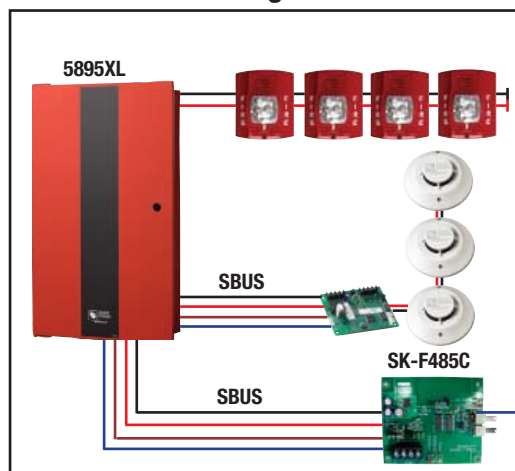
Building 1



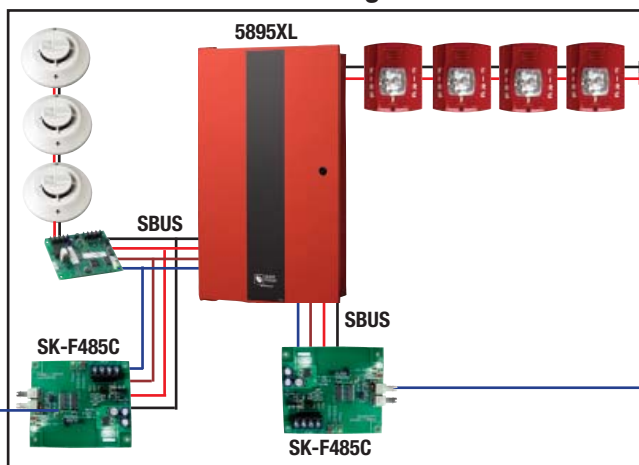
Building 2



Building 4



Building 3



IntelliKnight™ Series



**SILENT
KNIGHT**

by Honeywell

P/N 350808

Silent Knight • 12 Clintonville Road • Northford, CT 06472
203-484-7161 • www.silentknight.com

© Honeywell International Inc. 2013

11/2013