

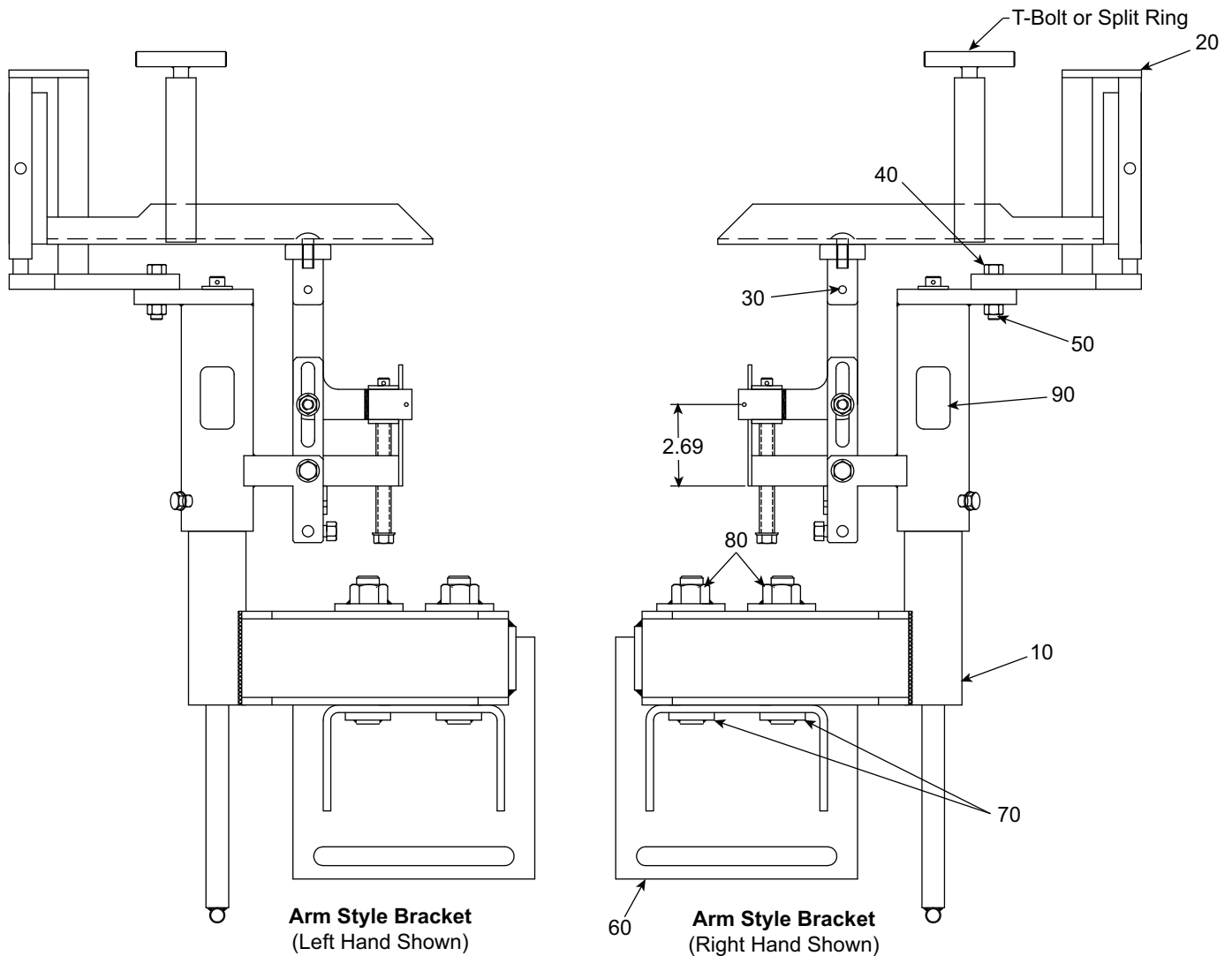
# Eclipse Arm Gimbal Mounting Bracket

Spare Parts List 1113

12/10/2012

Version 1

The list below is a generic spare parts list. All spare parts should be confirmed at time of order.



Ref No	Qty	Description
10	1	Lower assembly base bracket
20	1	Upper arm gimbal bracket, size-G, tee bolt, short
20	1	Upper arm gimbal bracket, size-G, split ring, short
20	1	Upper arm gimbal bracket, size-G, tee bolt, extended
20	1	Upper arm gimbal bracket, size-G, split ring, extended

Ref No	Qty	Description
20	1	Upper arm gimbal bracket, size-M, tee bolt, short
20	1	Upper arm gimbal bracket, size-M, split ring, short
20	1	Upper arm gimbal bracket, size-M, tee bolt, extended
20	1	Upper arm gimbal bracket, size-M, split ring, extended

*Continued on next page*

Ref No	Qty	Description
20	1	Upper arm gimbal bracket, size-B, tee bolt, short
20	1	Upper arm gimbal bracket, size-B, tee bolt, extended
30	1	Roll pin, 0.25" dia x 1" lg, stl
40	2	Hex head cap screw 0.375" - 16x1.5"
50	2	Hex nut, 0.375 - 16 zinc plated
60	1	Unisex arm gimbal bracket, bracket, buckstay plate and channel support assembly
70	2	Unisex arm gimbal bracket, heady duty mounting channel, bolt assembly
80	2	Unisex arm gimbal bracket, heavy duty mounting channel, nut assembly