


Eclipse ImmersoJet Burners

Model IJ-6

Data sheet Edition 09.18

Version 3

Parameter	Blower Size		
Blower Type	Low Pressure Packaged Blower	High Pressure Packaged Blower	Remote Blower
Maximum Input, Btu/h (kW)	2,000,000 (586.1)	2,400,000 (703.4)	3,600,000 (1055.1)
Minimum Input, Btu/h (kW)	100,000 (29.3)	150,000 (44.0)	300,000 (87.9)
Air Inlet Pressure at Maximum Input, "w.c. (mbar) <i>Air pressure at burner inlet (Tap A)</i>	9.0 (22.4)	14.4 (35.8)	30.0 (74.7)
Blower Motor, Hp (kW)	1.5 (1.1)	3.0 (2.2)	As Specified
Main Gas Pressure Supplied to Regulator, "w.c. (mbar)	16 - 83.1 (39.9 - 207)	21 - 83.1 (52.3 - 207)	41 - 83.1 (102.1 - 207)
Tube Back Pressure, "w.c. (mbar)	2.0 (5.0)	3.4 (8.5)	8.3 (20.6)
Weight, lbs (kg)	275 (125)	290 (131)	185 (84)
CO Emissions, ppm	<100	<100	<100
Piping	NPT or BSP		
Flame Detection	Flamerod or UV Scanner		
Fuels^{1, 2} <i>For any other mixed gas, contact Eclipse, Inc.</i>	Natural Gas, Propane, Butane		
Approvals			

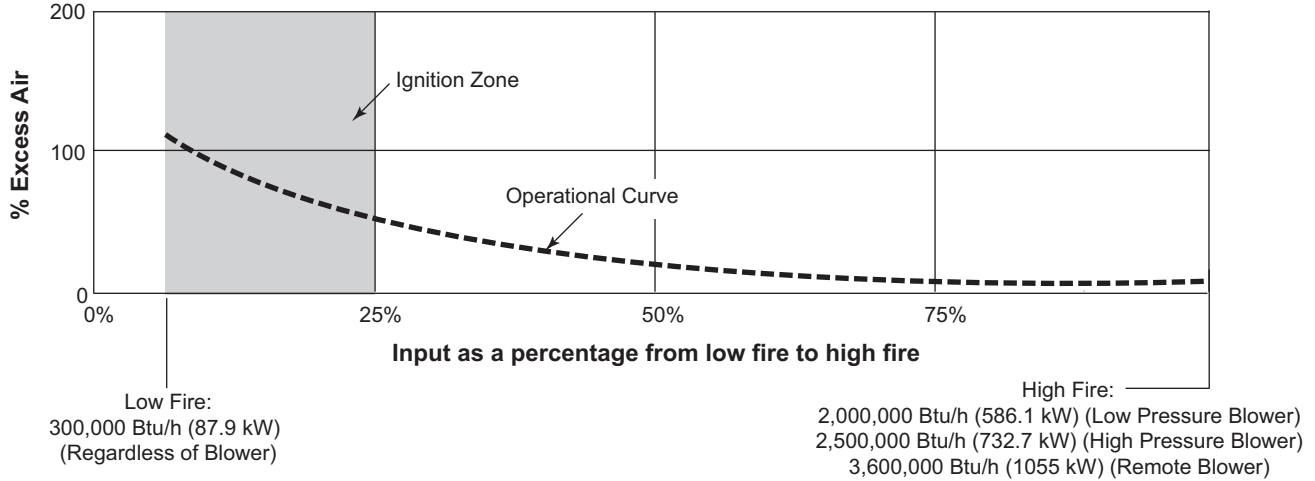
¹ Different fuels require different nozzles and orifices.

² See Design Guide 330 for more information about typical fuel composition and properties.

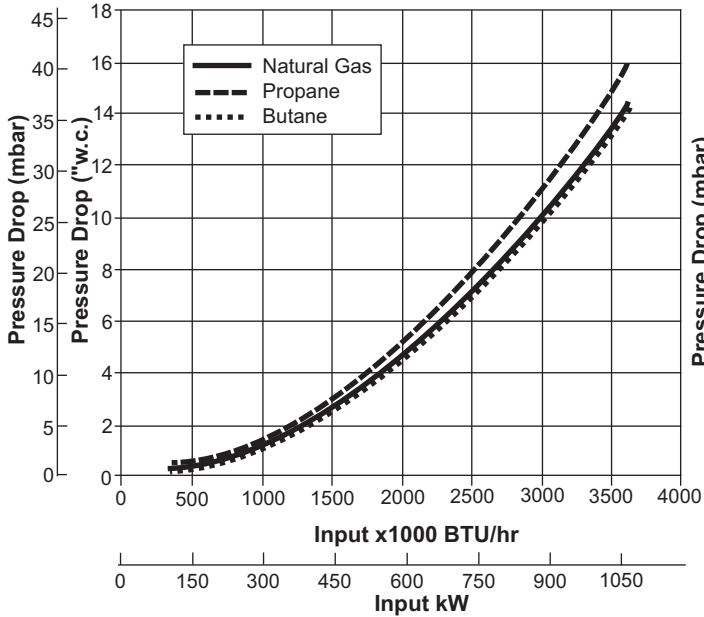
- All information is based on laboratory testing with a tube effective length of 31.4 feet (9.6 m). Different tube sizes and conditions may affect the data.
- All information is based on standard tube design. Changes in the tube will alter performance and pressures.
- All inputs based upon gross calorific values (HHV).
- Eclipse reserves the right to change the construction and/or configuration of our products at any time without being obliged to adjust earlier supplies accordingly.
- Plumbing of air and gas will affect accuracy of orifice readings. All information is based on generally acceptable air and gas piping practices.
- Packaged blower performance data based on 60 Hz.

Performance Graphs

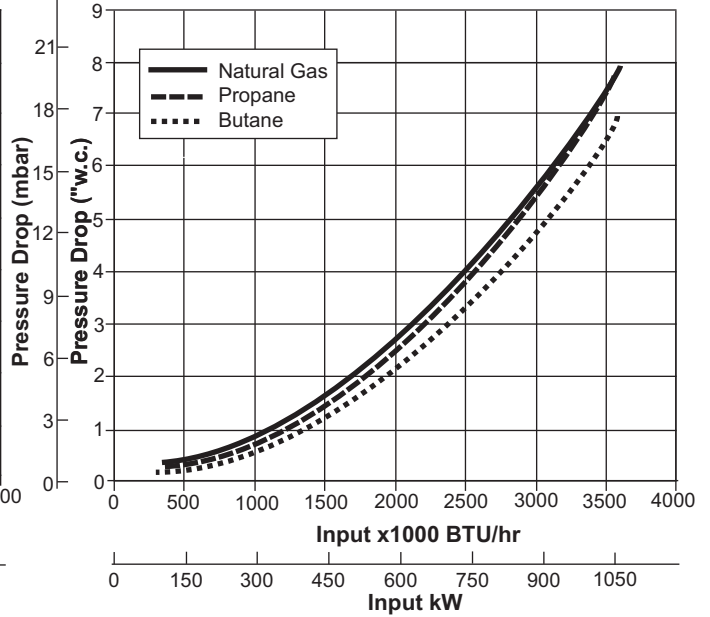
Typical Operational Curve & Ignition Zone (Natural Gas, Propane, & Butane)



Gas Orifice Δp vs. Input Measured from Tap "B" to Tap "D"

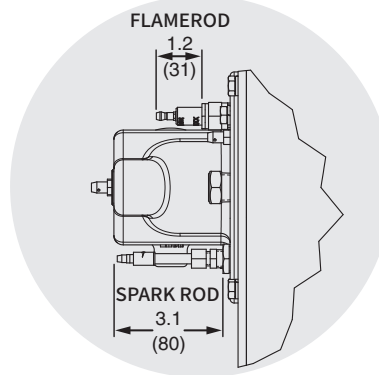
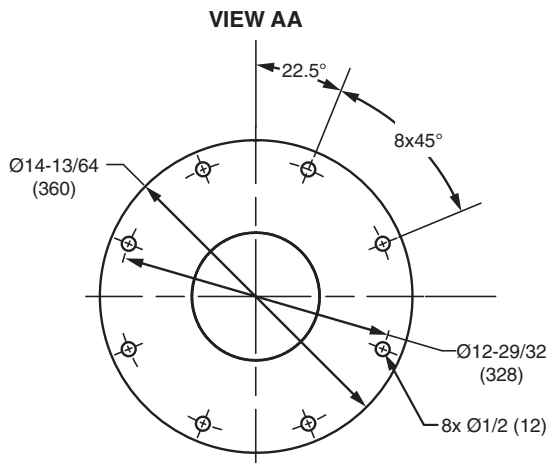
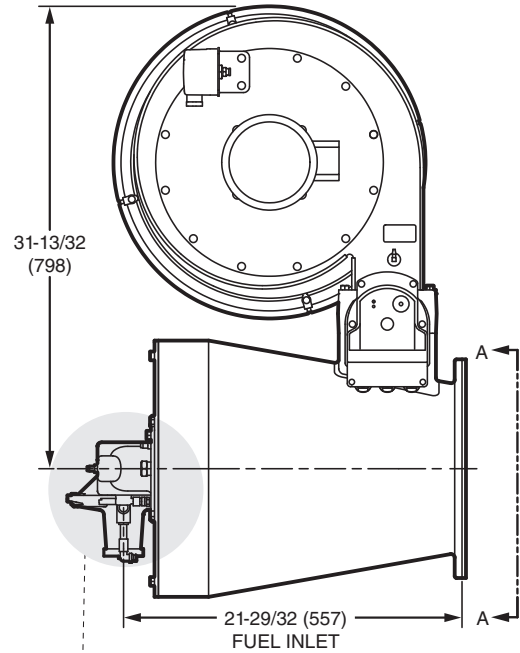
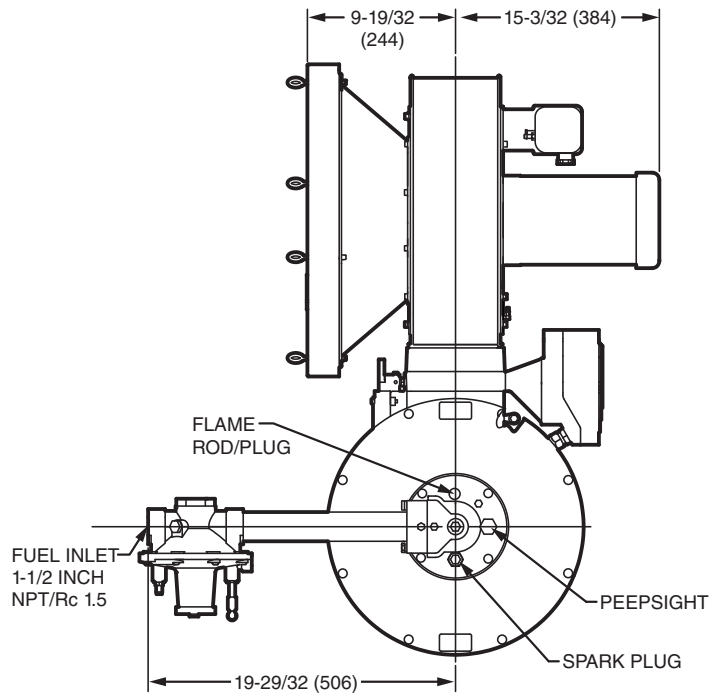


Air Orifice Δp vs. Input @ 3% O₂ Measured from Tap "A" to Tap "C"

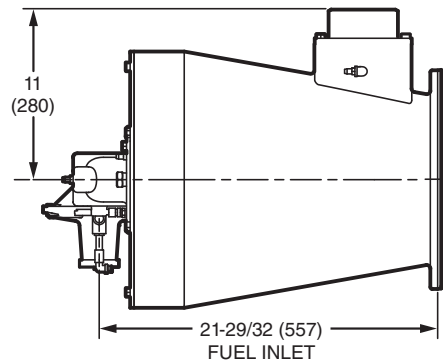
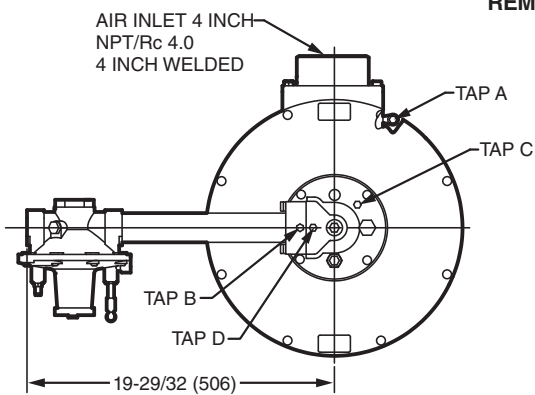


Dimensions and Specifications

Dimensions in mm (inches)



REMOTE BLOWER



NOTE: DIMENSIONS CORRESPOND TO LARGEST BLOWER CONFIGURATION

For More Information

The Honeywell Thermal Solutions family of products includes Honeywell Combustion Safety, Honeywell Combustion Service, Eclipse, EXOTHERMICS, HAUCK, Kromschröder and MAXON. To learn more about our products, visit ThermalSolutions.honeywell.com or contact your Honeywell Sales Engineer.

Honeywell Process Solutions

Honeywell Thermal Solutions (HTS)

Eclipse Inc.

1665 Elmwood Rd.

Rockford, IL 61103

United States

T +1 815 877 3031

www.ThermalSolutions.honeywell.com

® U.S. Registered Trademark
© 2018 Honeywell International Inc.
32-00108-01 M.S. Rev. 09-18
Printed in United States

