


Eclipse ImmersoJet Burners

Model IJ-8

Data sheet Edition 09.18

Version 3

Parameter	Blower Size	
	Packaged Blower	Remote Blower
Blower Type	Packaged Blower	Remote Blower
Maximum Input, Btu/h (kW)	3,200,000 (937.8)	4,700,000 (1377.4)
Minimum Input, Btu/h (kW)	200,000 (58.6)	200,000 (58.6)
Air Inlet Pressure at Maximum Input, "w.c. (mbar) <i>Air pressure at burner inlet (Tap "A")</i>	9.0 (22.4)	22.0 (54.8)
Blower Motor, Hp (kW)	3.0 (2.2)	As Specified
Main Gas Pressure Supplied to Regulator, "w.c. (mbar)	21 - 83.1 (52.3 - 207)	28 - 83.1 (69.8 - 207)
Tube Back Pressure, "w.c. (mbar)	2.0 (4.9)	3.8 (9.5)
Weight, lbs (kg)	290 (131)	185 (84)
CO Emissions, ppm	<100	<100
Piping	NPT or BSP	
Flame Detection	Flamerod or UV Scanner	
Fuels^{1, 2} <i>For any other mixed gas, contact Eclipse, Inc.</i>	Natural Gas, Propane, Butane	
Approvals		

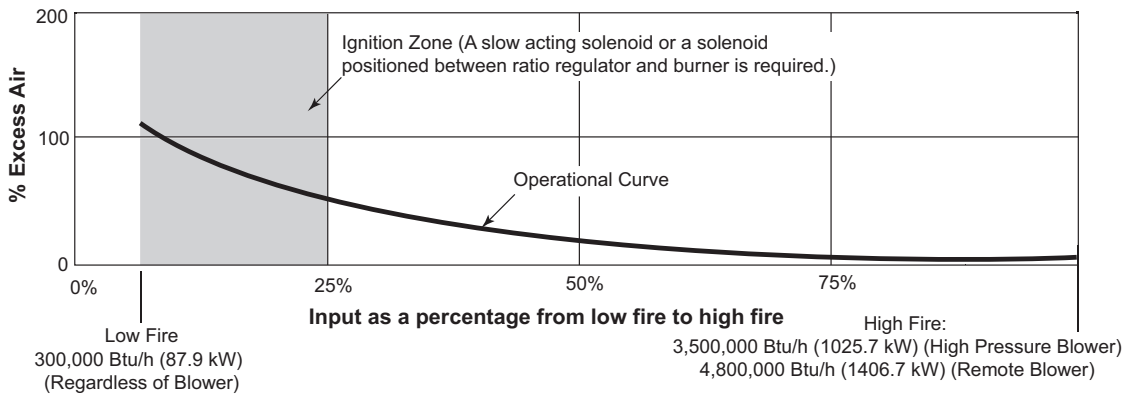
¹ Different fuels require different nozzles and orifices.

² See Design Guide 330 for more information about typical fuel composition and properties.

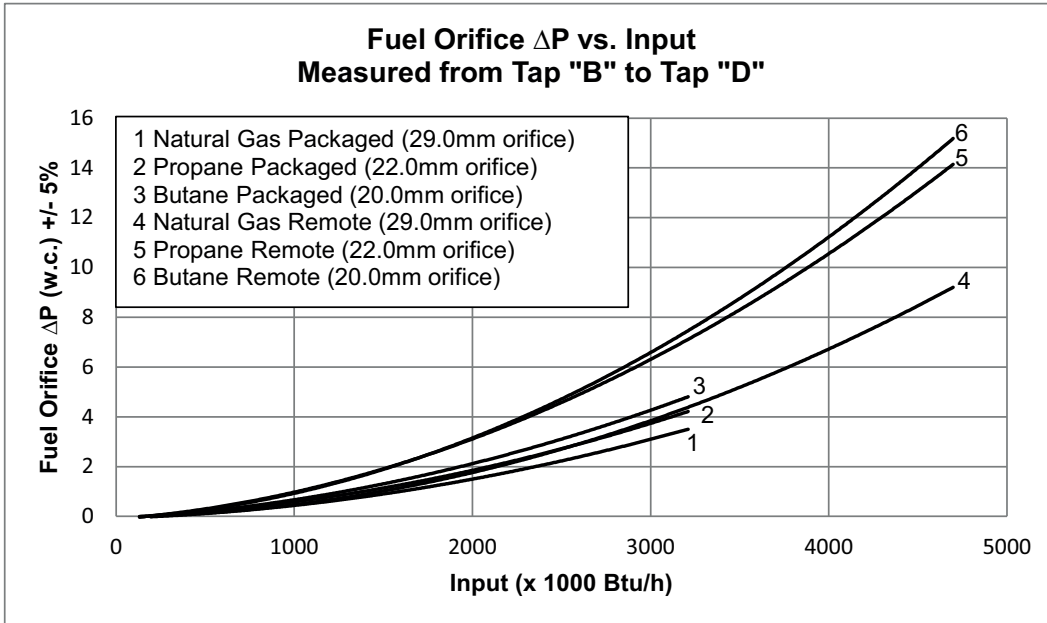
- All information is based on laboratory testing with a tube effective length of 35.3 feet (10.8 m). Different tube sizes and conditions may affect the data.
- All information is based on standard tube design. Changes in the tube will alter performance and pressures.
- All inputs based upon gross calorific values (HHV).
- Eclipse reserves the right to change the construction and/or configuration of our products at any time without being obliged to adjust earlier supplies accordingly.
- Plumbing of air and gas will affect accuracy of orifice readings. All information is based on generally acceptable air and gas piping practices.
- Packaged blower performance data based on 60 Hz.

Performance Graphs

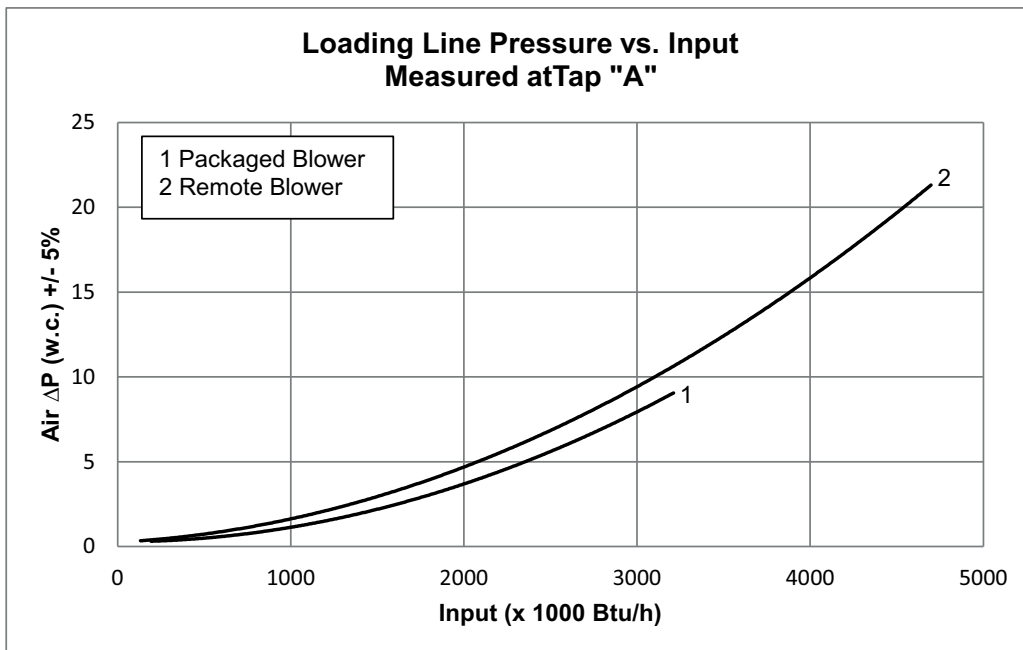
**Typical Operational Curve & Ignition Zone
(Natural Gas, Propane & Butane)**



**Fuel Orifice ΔP vs. Input
Measured from Tap "B" to Tap "D"**

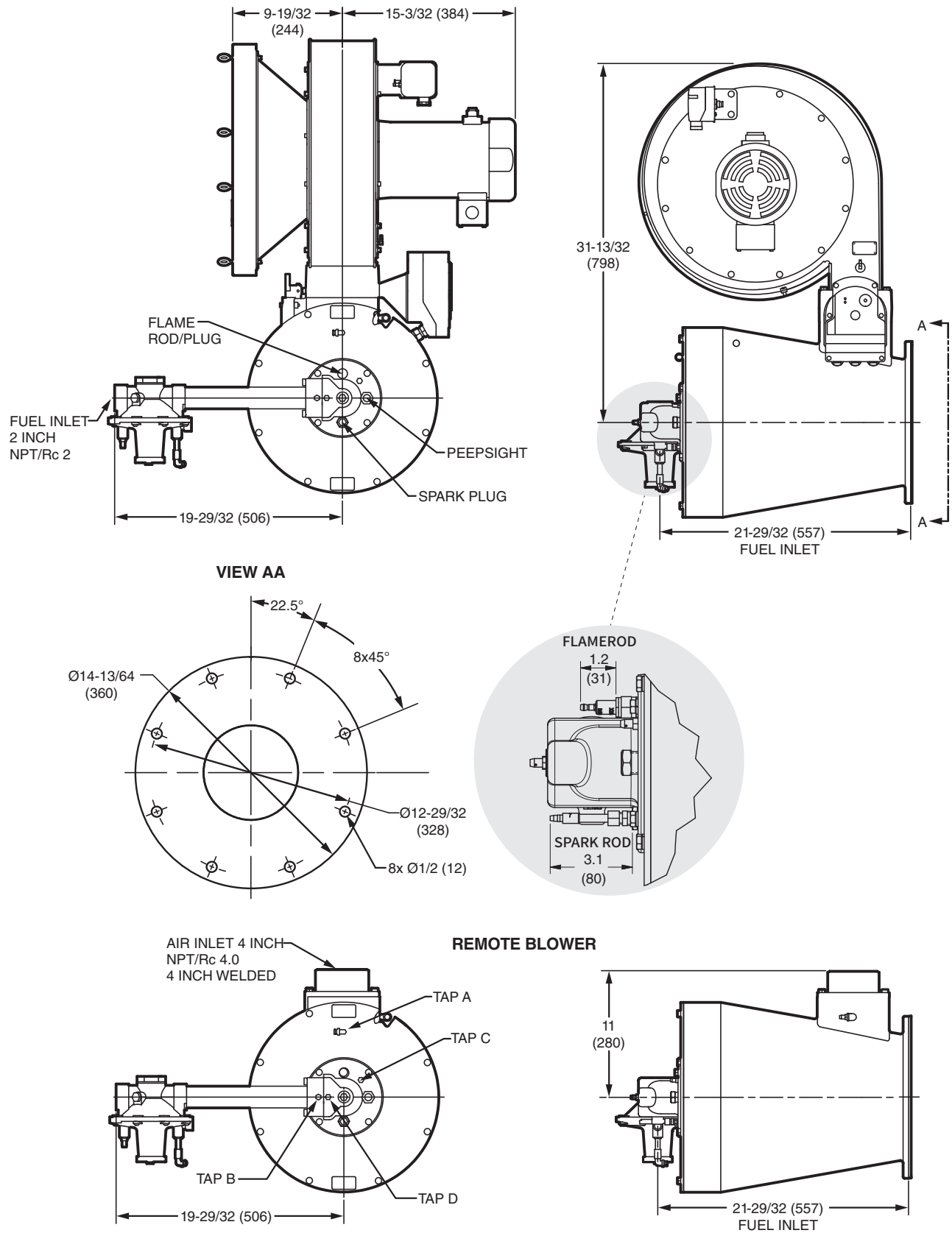


**Loading Line Pressure vs. Input
Measured at Tap "A"**



Dimensions and Specifications

Dimensions in inches (mm)



NOTE: DIMENSIONS CORRESPOND TO LARGEST BLOWER CONFIGURATION

For More Information

The Honeywell Thermal Solutions family of products includes Honeywell Combustion Safety, Honeywell Combustion Service, Eclipse, EXOTHERMICS, HAUCK, Kromschroder and MAXON. To learn more about our products, visit ThermalSolutions.honeywell.com or contact your Honeywell Sales Engineer.

Honeywell Process Solutions

Honeywell Thermal Solutions (HTS)

Eclipse Inc.

1665 Elmwood Rd.

Rockford, IL 61103

United States

T +1 815 877 3031

www.ThermalSolutions.honeywell.com

® U.S. Registered Trademark
© 2018 Honeywell International Inc.
32-00109-01 M.S. Rev. 09-18
Printed in United States

