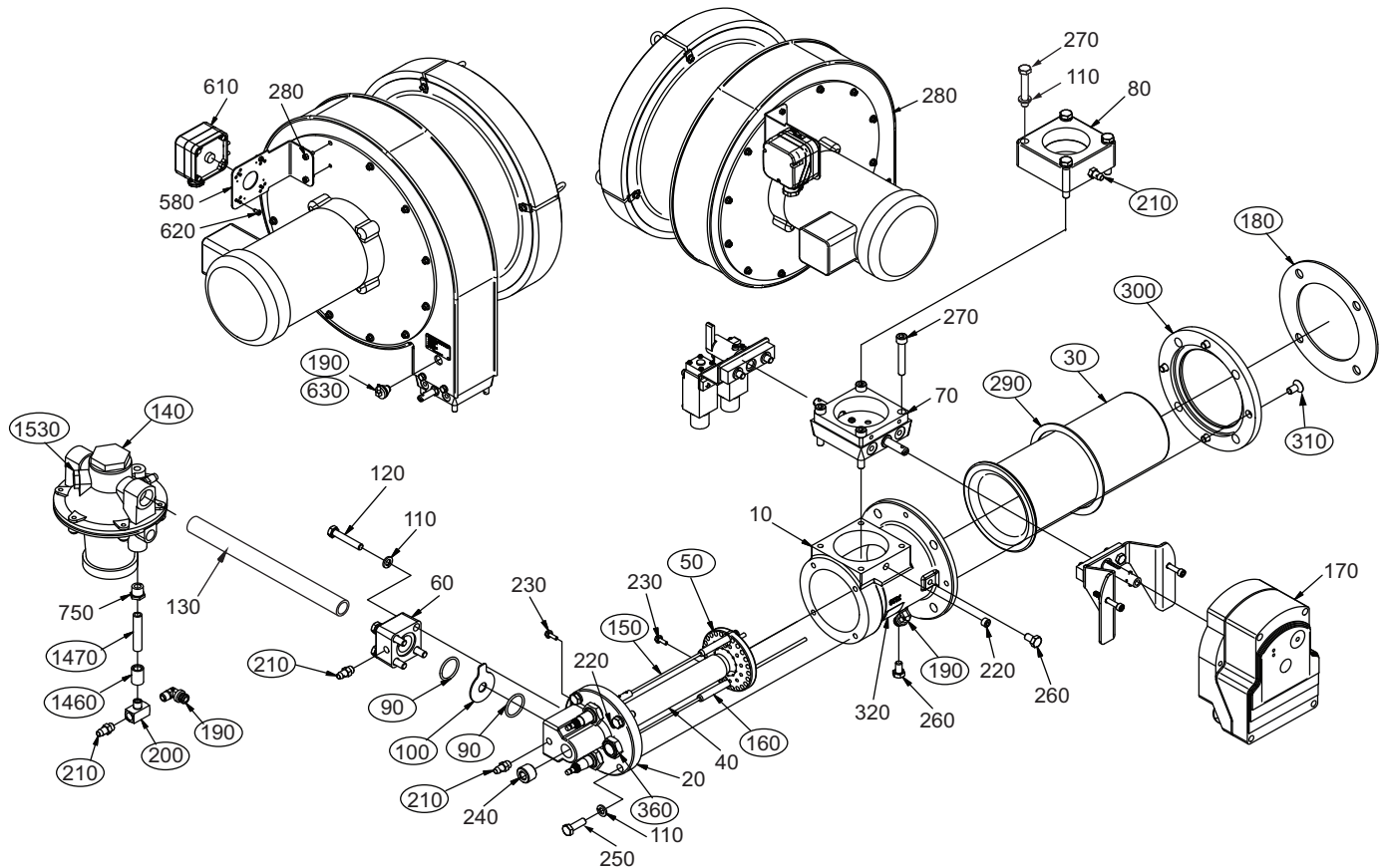


Eclipse RatioMatic Burners

Model RM0050

Spare Parts List Edition 08.15

Version 6



Ref	Part Number	Description
30	20474	Ceramic Combustor
30	14887-6	Alloy Combustor (266mm)
30	14887-7	Alloy Combustor (342mm)
30	14887-8	Alloy Combustor (418mm)
50	101003	Nozzle
90	14777	O-Ring for Fuel Orifice Plate
100	14191-9	Natural Gas Orifice Plate (14.0mm)
100	14191-8	Propane Orifice Plate (9.1mm)
100	14191-17	Butane Orifice Plate (8.4mm)
140	KS03155176	Ratio Regulator (1/2" NPT)
140	KS03155170	Ratio Regulator (1/2" BSP)
150	100049-1	Igniter (237mm)

Ref	Part Number	Description
150	100049-2	Igniter (313mm)
150	100049-3	Igniter (389mm)
160	100050-1	Flamerod (237mm)
160	100050-2	Flamerod (313mm)
160	100050-3	Flamerod (389mm)
180	17054	Burner to Furnace Wall Mounting Gasket
190	1494	Elbow Fitting for Braided Stainless Steel Impulse Line and Air Switch Line
190	14689	Elbow Fitting for Plastic Impulse Line

(Continued to next page)

Ref	Part Number	Description
190	22085	Elbow Fitting for Stainless Steel Tubing Impulse Line
200	20682	Tee Fitting Impulse Line (Brass)
210	13445	Pressure Tap
290	19971	Silicon Carbide Combustor Retainer Gasket
300	19970	Silicon Carbide Combustor Retainer Tube
310	10001	Combustor Guide Screw
360	11737	Peepsight
490	00.4095056.40	Actuator Coupling, Trilogy, Siemens
490	101027499	Actuator Coupling, IC20
490	10054035	Actuator Coupling, Honeywell
630	20606	Grommet for Plastic Air Switch Line
1530	KS74919806	Bypass Screw, GIK 15-25
N/S	015991-02	Braided Stainless Steel Impulse Line (610mm)
N/S	30027	Stainless Steel Tubing Impulse Line
N/S	34505	Plastic Impulse Line
N/S	015991-18	Braided Stainless Steel Air Switch Line (760mm)
N/S	34505	Plastic Air Pressure Switch Line
N/S	11132	Filter Element (Round, 16" Diameter)
N/S	10061988	Kit, Mounting, Actuator Size 2 SQM5
N/S	10061980	Kit, Mounting, Actuator Size 2 Honeywell