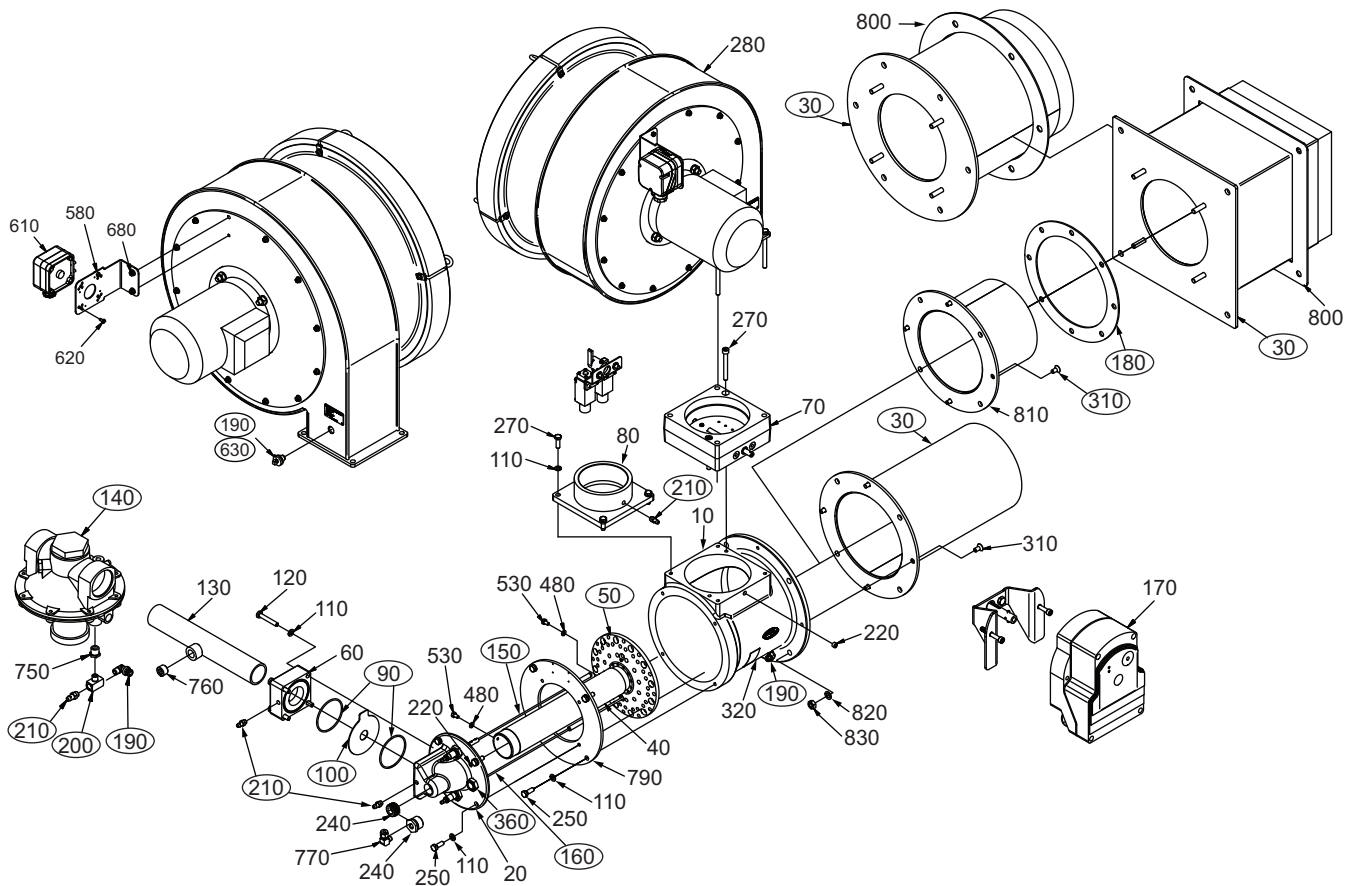


# Eclipse RatioMatic Burners

Model RM0300

Spare Parts List Edition 08.15

Version 6



Ref	Part Number	Description
30	10040615	Round Refractory Combustor
30	10046070	Square Refractory Combustor
30	101018	Alloy Combustor (357mm)
30	101018-1	Alloy Combustor (433mm)
50	10040059	Nozzle, Stainless Steel, Natural Gas
50	10040060	Nozzle, Stainless Steel, Propane/Butane
50	10024136	Nozzle, Natural Gas
50	10024135	Nozzle, Propane/Butane
90	14778	O-Ring for Fuel Orifice Plate
100	14188-3	Natural Gas Orifice Plate (29mm)

Ref	Part Number	Description
100	14188-16	Butane Orifice Plate (21mm)
100	101028144	Propane Orifice Plate (24.5mm)
140	KS03155152	Ratio Regulator (1.5" NPT)
140	KS03155146	Ratio Regulator (1.5" BSP)
150	100049-3	Igniter (389mm)
150	100049-11	Igniter (465mm)
160	100050-3	Flamerod (389mm)
180	10027	Burner to Furnace Wall Mounting Gasket
190	14689	Elbow Fitting for Plastic Impulse Line

(Continued to next page)

Ref	Part Number	Description
190	1494	Elbow Fitting for Braided Stainless Steel Impulse Line and Air Switch Line
190	22085	Elbow Fitting for Stainless Steel Tubing Impulse Line
200	20682	Tee Fitting Impulse Line (Brass)
210	13445	Pressure Tap
310	10001	Combustor Guide Screw
360	11737	Peepsight
490	00.4095056.40	Actuator Coupling, Trilogy, Siemens
490	101027499	Actuator Coupling, IC20
490	10054035	Actuator Coupling, Honeywell
630	20606	Grommet for Plastic Air Switch Line
N/S	015991-02	Braided Stainless Steel Impulse Line (610mm)
N/S	30027	Stainless Steel Tubing Impulse Line
N/S	34505	Plastic Impulse Line
N/S	015991-18	Braided Stainless Steel Air Switch Line (760mm)
N/S	34505	Plastic Air Pressure Switch Line
N/S	30027	Stainless Steel Tubing Pre-Mix Line
N/S	33059	Copper Tubing Pre-Mix Line
N/S	10040251	Burner to Furnace Wall Mounting Gasket (Round)
N/S	15242	Burner to Furnace Wall Mounting Gasket (Square)
N/S	11128	Filter Element (Round, 20" Diameter)
N/S	10061990	Kit, Mounting, Actuator Size 4-5 SQM5
N/S	10061983	Kit, Mounting, Actuator Size 4-5 Honeywell