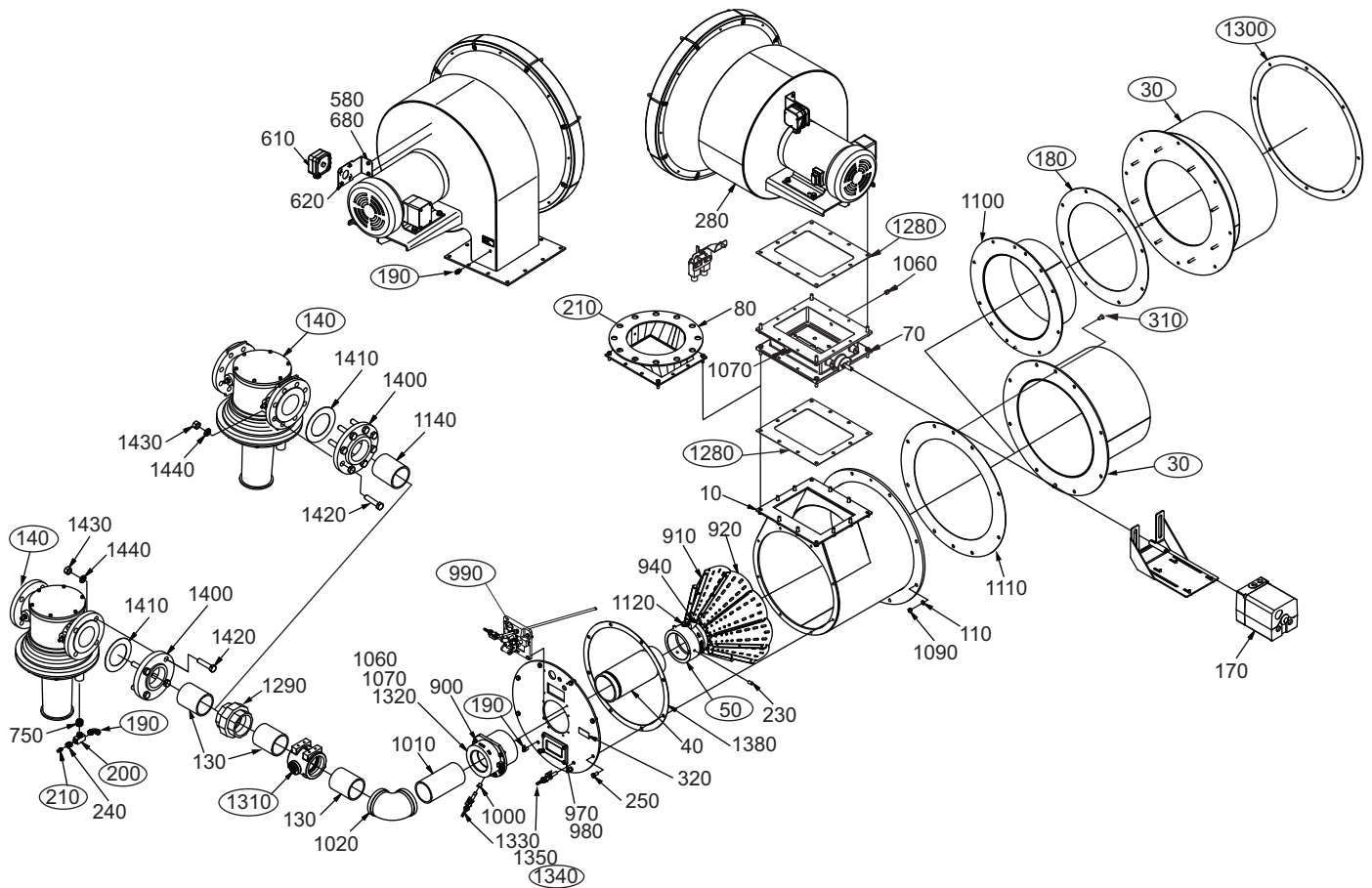


Eclipse RatioMatic Burners

Model RM1000

Spare Parts List Edition 08.15

Version 6



Ref	Part Number	Description
30	10054176	Round Refractory Combustor
30	110265	Alloy Combustor
50	3932-1	Nozzle, Natural Gas
140	KS85093320	Ratio Regulator (3" ANSI)
140	KS85093220	Ratio Regulator (80DN)
150	150000-5	Igniter (556mm)
180	11610	Burner to Furnace Wall Mounting Gasket
190	22085	Elbow Fitting for Stainless Steel Tubing Impulse Line
190	1494	Elbow Fitting for Braided Stainless Steel Impulse Line and Air Switch Line

Ref	Part Number	Description
190	22210	Straight Fitting for Stainless Steel Tubing Impulse Line
190	14689	Elbow Fitting for Plastic Impulse Line
200	20682	Tee Fitting Impulse Line (Brass)
210	13445	Pressure Tap
310	19108	Combustor Guide Screw
490	10046667	Actuator Coupling, Trilogy, Siemens
490	20281	Actuator Coupling, Honeywell

(Continued to next page)

Ref	Part Number	Description
N/S	015991-18	Braided Stainless Steel Impulse Line (760mm)
N/S	30027	Stainless Steel Tubing Impulse Line
N/S	34505	Plastic Impulse Line
N/S	015991-18	Braided Stainless Steel Air Switch Line (760mm)
N/S	34505	Plastic Air Pressure Switch Line
N/S	10000397	Stainless Steel Tubing Pre-Mix Line
N/S	37140	Copper Tubing Pre-Mix Line
1260	12828	Sight Glass
1280	13188	Air Inlet to Burner Gasket
1300	10944	Burner to Furnace Wall Mounting Gasket
1310	501221	Gas Adjusting Butterfly
1340	12659	Pilot Cock
N/S	15608	Filter Element (Round, 27" Diameter)
N/S	10061993	Kit, Mounting, Actuator Size 8 SQM5
N/S	10061986	Kit, Mounting, Actuator Size 8 Honeywell